

MATERIAL CHARACTERISTICS

POLYMER CONCRETE	on a Polyester resin basis, with mineral fillers, additives
COMPRESSIVE STRENGTH	≥ 90 N/mm ²
BENDING STRENGTH	≥ 22 N/mm ²
ELASTICITY MODULE	25,000 – 35,000 N/mm ²
DENSITY	2,1 – 2,3 kg/dm ³
COEFFICIENT OF LINEAR EXPANSION	Approx. 1.45 x 10 ⁻⁵ 1/K
HEAT RESISTANCE	100°C continuous load, up to 200°C with a load duration up to 5 min.
FROST RESISTANCE	- 50 °C
WATER PENETRATION LEVEL	0 mm
WATER ABSORPTION	< 0,05% DIN 52 103 (A)
MATERIAL STRUCTURE	Capillary free

PURPOSE OF USE

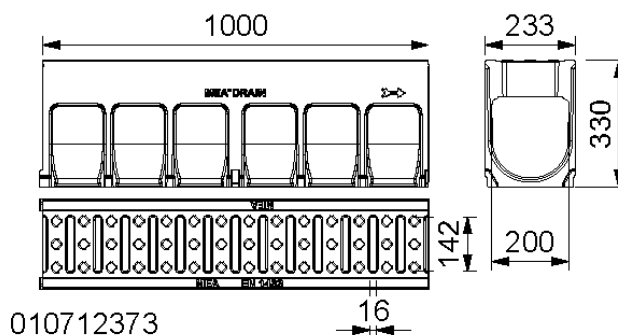
Component for the line drainage of surfaces in order to collect, transport and discharge rainwater from adjacent fixed surfaces.

MEADRAIN DM CITY 2000

A 15, B 125, C 250, D 400 CW 200

MEADRAIN DM CITY 2000 POLYMER CONCRETE DRAINAGE CHANNEL MONOLITHIC CONSTRUCTION WITH SEALING JOINT ACCORDING TO EN 1433

Clear width of the channel body 200 mm, total width 233 mm. For the realization of water level slopes. Loading classes A 15 to D 400 according to EN 1433. Load capacity according to specification, when installed according to the MEA installation instructions.



MEADRAIN DM CITY 2000 DRAINAGE CHANNEL BODY, LOADING CLASS D 400 ACCORDING TO EN 1433

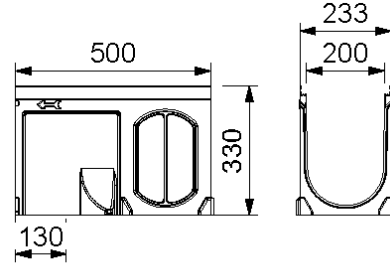
Designation	Ord. No.	Length [mm]	Height [mm]	Inlet sect. area Ø cm ² /m above	kg/unit
MEADRAIN DM CITY 2000.0 Drainage channel body-1 m	010712373	1000	330	300	70,45

MEADRAIN DM CITY 2000

A 15, B 125, C 250, D 400 CW 200

MEADRAIN DM CITY 2000 ACCESSORIES

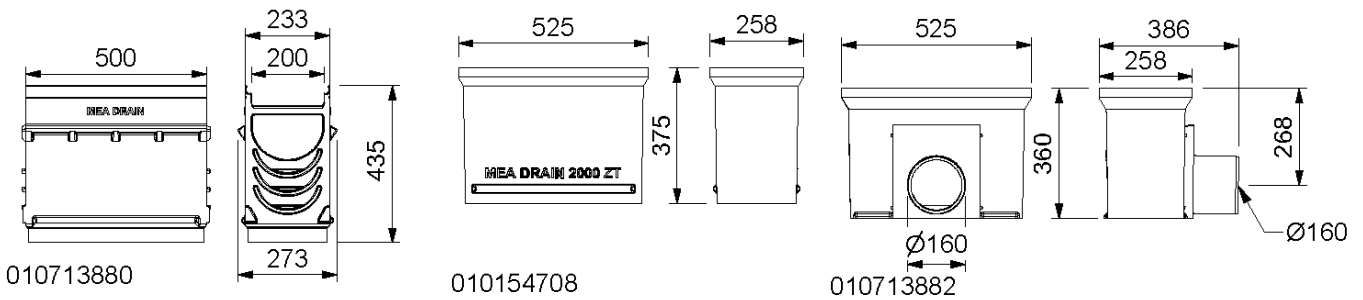
MEADRAIN DM CITY 2000.0 channels are compatible with **drainage elements MEADRAIN SV/SE/SG NA 2020** and with the **accessories of SV/SE/SG NA 2020**



010714266

MEADRAIN DM CITY 2000 INSPECTION ELEMENT

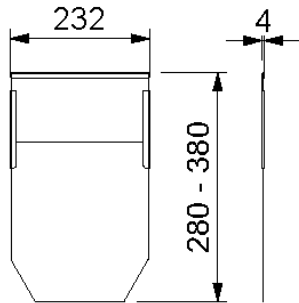
Designation	Ord. No.	Length [mm]	Height [mm]	kg/unit
MEADRAIN SV 2020.1 NA Drainage channel body 5) 14) **)	010714266	500	330	16,21
MEADRAIN SE 2020.1 NA Drainage channel body 5) 14) *) **)	010714346	500	330	16,28
MEADRAIN SG 2020.1 NA Drainage channel body 5) 14) **)	010714426	500	330	16,50



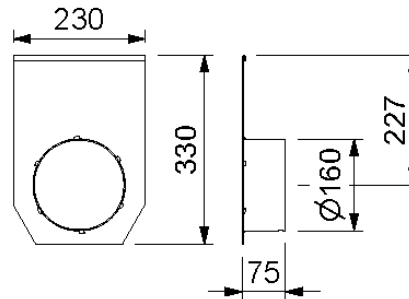
MEADRAIN DM CITY 2000 SILT BOX

Designation	Ord. No.	Length [mm]	Height [mm]	kg/unit
MEADRAIN SV 2000.SK-OT NA Gully upper part **)	010713880	500	435	25,42
MEADRAIN SE 2000.SK-OT NA Gully upper part *) **	010713894	500	435	25,76
MEADRAIN SG 2000.SK-OT NA Gully upper part **)	010713906	500	435	26,30
MEADRAIN 2000 SK-ZT gully intermediate part made of polymer concrete for a height extension	010154708	525	375	25,20
MEADRAIN 2000 SK-UTKURZ/A short Gully lower part, with integrated drain outlet Ø 160 mm	010713882	525	360	23,69
MEADRAIN 2000 SK-UTKURZ/A short Gully lower part, with integrated drain outlet Ø 200 mm	010713883	525	360	23,70
MEA 150/200 sediment bucket plastic *)	010710153	-	-	3,10

*) Delivery time on demand.
 **) Not suitable for the diagonal or transverse travel of motorways and highways
 5) Connection option for vertical drain Ø 160 mm (drainage preformation), end caps with connector or to gullies / silt boxes.
 14) Connection option for corner-, t- and cross- connections.



010714400



010714326

MEADRAIN DM CITY 2000 END CAPS

Designation	Ord. No.	Height [mm]	Height 2 [mm]	Material	kg/unit
MEADRAIN SV/SG 2010-30.SE NA End cap for channel start/ end, height-adjustable	010714320	280	380	Galv. steel	0,77
MEADRAIN SE 2010-30.SE NA End cap for channel start/ end, height-adjustable *)	010714400	280	380	Stainl. steel	0,77
MEADRAIN SV/SG 2020.E NA End cap with connector Ø 160 mm, for channel end, fixed height	010714326	330	-	Galv. steel	1,50
MEADRAIN SE 2020.E NA End cap with connector Ø 160 mm, for channel end, fixed height*)	010714406	330	-	Stainl. steel	1,50

*) Delivery time on demand.

MEADRAIN DM CITY 2000

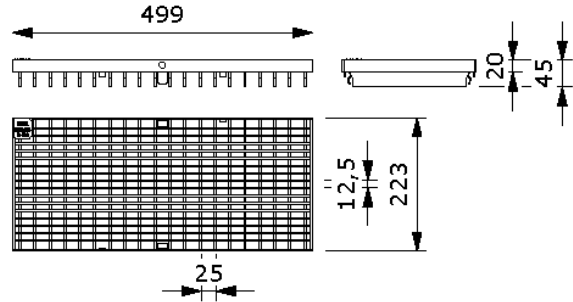
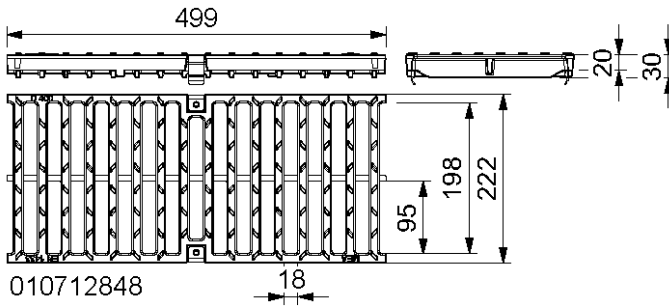
A 15, B 125, C 250, D 400 CW 200



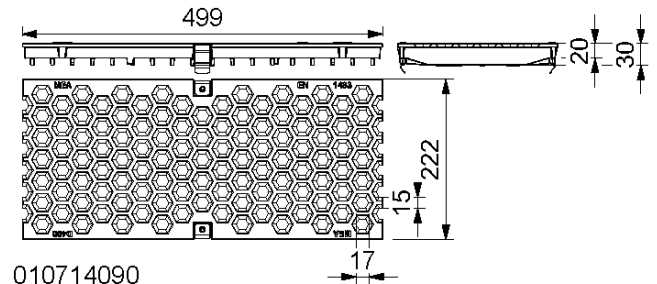
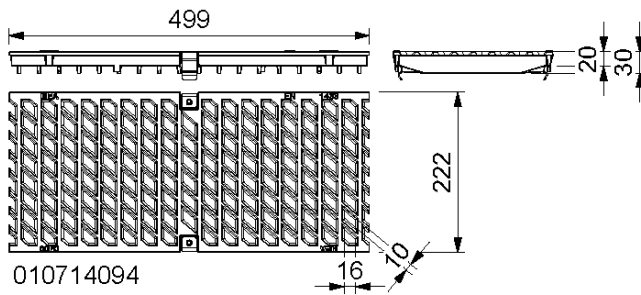
BUILDING SUCCESS

COVERS FOR MEADRAIN DM CITY 2000 SILT BOX AND INSPECTION ELEMENT

With CLIPFIX channel securement, with longitudinal shift protection, suitable for silt box and inspection element of MEADRAIN DM CITY 2000.



010152357



010714090

LOADING CLASS D 400 ACCORDING TO EN 1433

WITH NON-BOLTED CLIPFIX CHANNEL COVER SECUREMENT **)

Designation	Ord. No.	Material	Length [mm]	Inlet sect. area Ø cm ² /m above	kg/unit
MEA 200 Ductile Iron slotted grating-D 400-0,5 m 18/198 CXL **) ****)	010712848	Ductile iron	500	1066	7,25
MEA 200 Design grating BAVARIA-D 400-0,5 m 10/16 CXL *) **) ****)	010714094	Ductile iron	500	593	6,60
MEA 200 Design grating HONEYCOMB-D 400-0,5 m 15/17 CXL *) **) ****)	010714090	Ductile iron	500	448	7,10
MEA 200 Galv. mesh gratingD 400-0,5 m 25/10 CXL *) **) **)	010152357	Galv. steel	500	1726	6,50
MEA 200 Stainl.steel mesh grating-D 400-0,5 m 25/10 CXL *) **) **)	010152367	Stainl. steel	500	1726	6,50

*) Delivery time on demand.

**) Not suitable for the diagonal or transverse travel of motorways and highways.

****) The surface coating of ductile iron parts only has a temporary and cosmetic function. Ductile iron is virtually impervious to surface oxidation from environmental influences (e.g. thawing salt). Superficial rust does not constitute a product defect. Of course, the resignation of surface coating is in accordance with all corresponding standards

MEADRAIN DM CITY 2000

A 15, B 125, C 250, D 400 CW 200



BUILDING SUCCESS

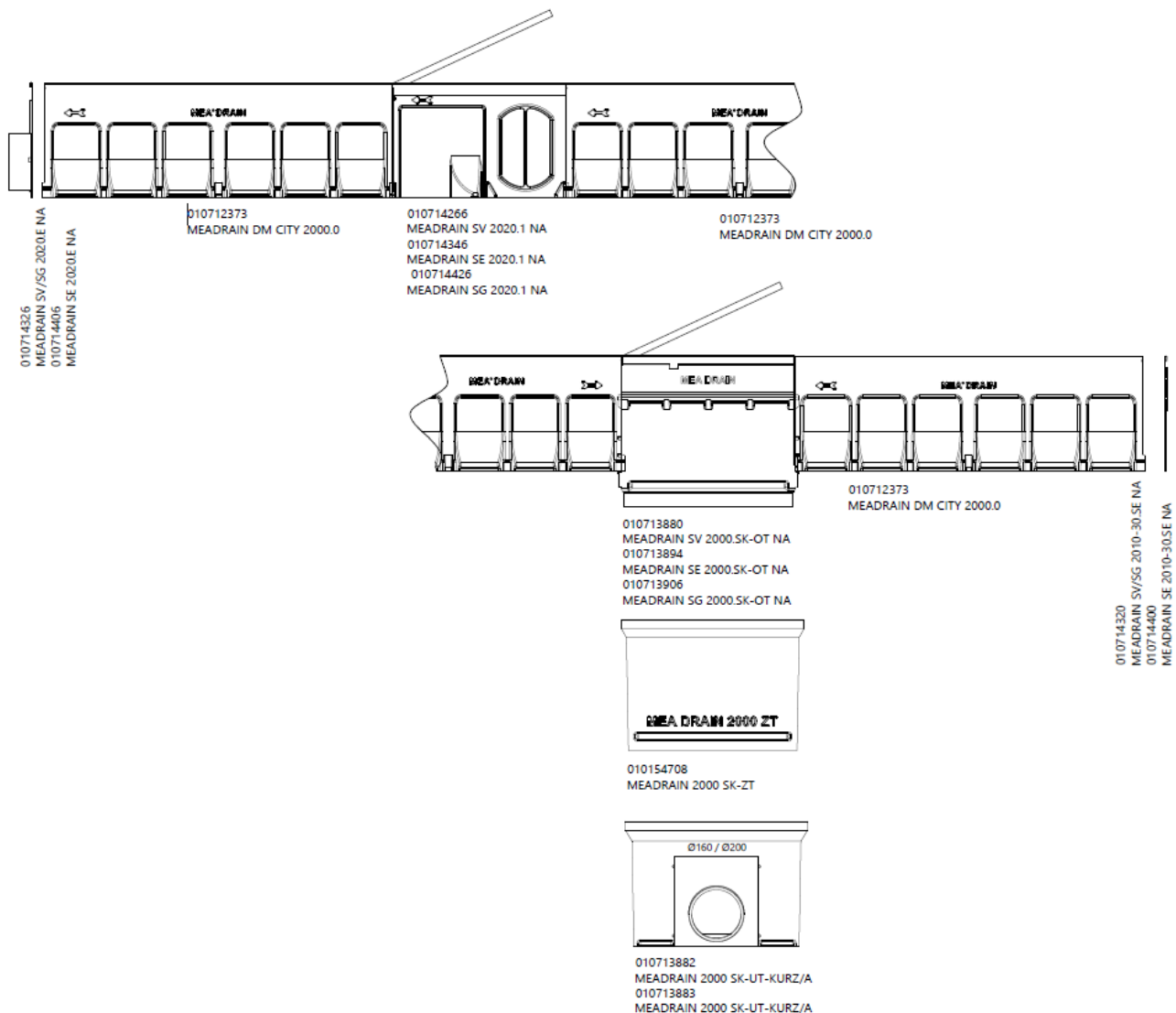
GRID HOOK

Designation	Ord. No.	Material	kg/unit
MEADRAIN/MEARIN Grid hook	010152115	Galv. steel	0,23

MEA 200 CLIPFIX ANTI-THEFT PROTECTION

Designation	Ord. No.	Material	kg/unit
MEA 200 CLIPFIX Anti-theft protection, bolt fixing required, 10 Pack	010714709	Stainl. steel, Plastic	1,20

MEADRAIN DM CITY 2000 SYSTEM OVERVIEW



This edition of the technical data sheet shall be valid from August 2022 until a revised version is published and replaces any previous publications. The respectively current version is available for download at www.mea-group.com.

MEA Bautechnik GmbH
Business unit MEA Water Management
Sudetenstraße 1
86551 Aichach
Tel.: +49 (0) 82 51. 91 0
Fax: +49 (0) 82 51. 91 13 06
E-Mail: info@mea-group.com
www.mea-group.com