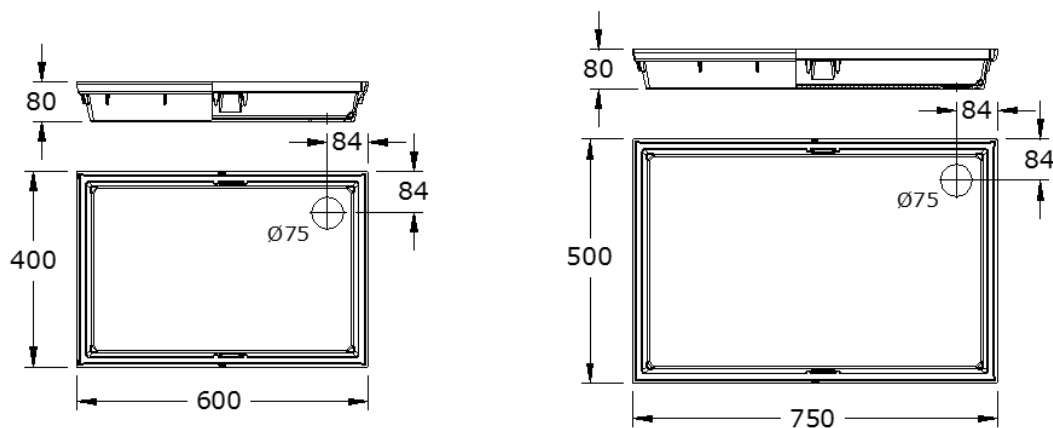


MATERIAL PROPERTIES

Tray unit	
SMC (SHEET MOULDED COMPOUND):	glassfibre reinforced polyester, with natural minerals
TENSILE STRENGTH:	65 N/mm ² (ISO527)
FLEXURAL TENSILE STRENGTH:	120 N/mm ² (ISO14125)
MODULUS OF ELASTICITY:	10.000 N/mm ² (ISO 14125)
LINEAR EXPANSION COEFFICIENT:	1,5 - 2,0 x 10 ⁻⁵ /K
HEAT RESISTANCE:	100°C permanent exposure, short-term exposure to 200°C
FROST RESISTANCE:	- 35°C
WATER ABSORPTION	0,078 % (EN ISO 62:2008-05 Procedure 1)
MATERIAL STRUCTURE	capillary free

MEARIN DOORMAT TRAYS MADE OF GRP



MEARIN doormat trays



MEARIN DOORMAT TRAYS MADE OF GRP

Doormat tray made of glass fibre reinforced polyester (GRP) with high quality GRP edge and optional tray cover-strips.

Suitable for various, changeable covers.

Connection facility for vertical outlet Ø 75mm at the bottom.

DOORMAT TRAYS MADE OF GLASS-FIBRE REINFORCED COMPOSITE

Designation	Ord. No.	Height [mm]	Width [mm]	Length [mm]	kg/unit
MEARIN Doormat tray 600 x 400 mm without cover	010190041	80	400	600	2,50
MEARIN Doormat tray 750 x 500 mm without cover	010190040	80	500	750	3,50

MEARIN DOORMAT TRAYS MADE OF GLASS -FIBRE REINFORCED COMPOSITE INCL. COVER

Designation	Ord. No.	Height [mm]	Width [mm]	Length [mm]	kg/unit
MEARIN Doormat tray 600 x 400 with expanded metal cover	010190012	80	400	600	5,30
MEARIN Doormat tray 750 x 500 with expanded metal cover	010190022	80	500	750	8,66
MEARIN Doormat tray 600 x 400 with mesh grating 30/10	010190016	80	400	600	6,20
MEARIN Doormat tray 750 x 500 with mesh grating 30/10	010190026	80	500	750	10,18
MEARIN Doormat tray 600 x 400 with light grey coarse rep strips cover	010190032	80	400	600	5,25
MEARIN Doormat tray 750 x 500 with light grey coarse rep strips cover	010190036	80	500	750	7,50
MEARIN Doormat tray 600 x 400 with rubber rep strips cover ²³⁾	010190042	80	400	600	6,85
MEARIN Doormat tray 750 x 500 with rubber rep strips cover ²³⁾	010190046	80	500	750	10,20

23) Please be aware that the honeycombed rubber mat can lead to staining since it is a natural product. For light colored ground surface within the building we recommend using the velour coco mats.

MEARIN DOORMAT TRAYS ACCESSORIES**COVER FOR DOORMAT TRAY**

Designation	Ord. No.	Height [mm]	Width [mm]	Length [mm]	kg/unit
MEARIN FuKa/FuMaRa Expanded metal cover 600 x 400 ^{17) 18)}	010190050	22	400	600	3,60
MEARIN FuKa/FuMaRa Expanded metal cover 750 x 500 ^{17) 18)}	010190060	22	500	750	5,42
MEARIN FuKa/FuMaRa mesh grating 30/10 600 x 400 ^{17) 18)}	010190052	22	400	600	3,99
MEARIN FuKa/FuMaRa mesh grating 30/10 750 x 500 ^{17) 18)}	010190064	22	500	750	6,57
MEARIN FuKa/FuMaRa light grey coarse rep strips 600 x 400 ^{17) 18)}	010190066	22	400	600	2,23
MEARIN FuKa/FuMaRa light grey coarse rep strips 750 x 500 ^{17) 18)}	010190068	22	500	750	4,00
MEARIN FuKa/FuMaRa rubber strips black 600 x 400 ^{17) 18) 23)}	010190080	22	400	600	3,83
MEARIN FuKa/FuMaRa rubber strips black 750 x 500 ^{17) 18) 23)}	010190082	22	500	750	6,70

17) Frame outer dimension = nominal dimension – 5 mm

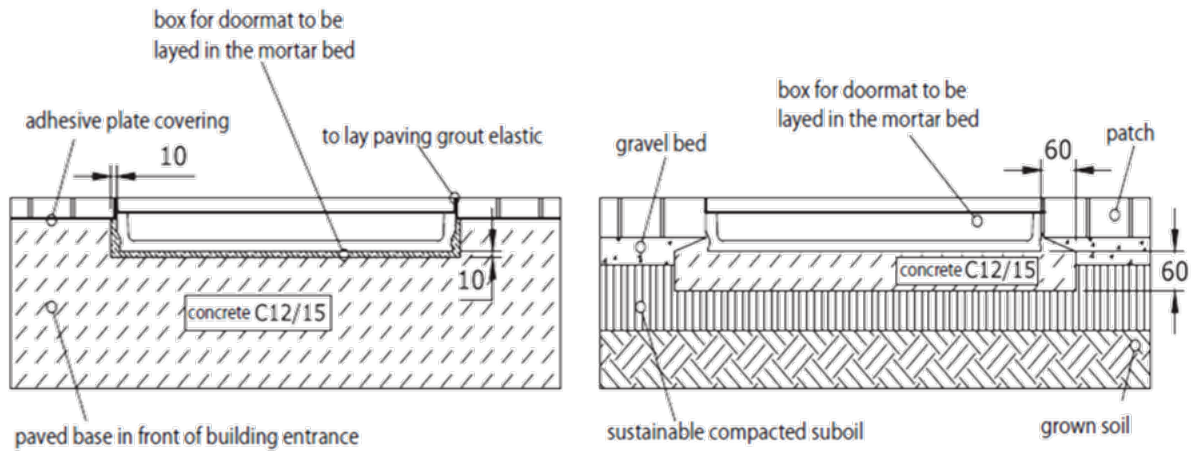
18) Actual dimension mats – and grating exterior dimensions = nominal dimension – 15 mm

23) Please be aware that the honeycombed rubber mat can lead to staining since it is a natural product. For light colored ground surface within the building we recommend using the velour coco mats.

ACCESSORIES

Designation	Ord. No.	Material	kg/unit
HT connection piece Ø 75 mm to Ø 110 mm	010866030	PE	0,25
MEARIN intermediate support for doormat tray 600 x 400	010190070	Galv. Steel	0,52
MEARIN intermediate support for doormat tray 750 x 500	010190071	Galv. Steel	0,66

MEARIN DOORMAT TRAYS INSTALLATION SITUATION



This edition of the technical data sheet is valid from April 2021 until the publication of a revised version and replaces earlier publications. The current version is available for download at www.mea-group.com.

MEA Bautechnik GmbH
 Business Unit MEA Water Management
 Sudetenstraße 1
 86551 Aichach
 Tel.: +49 (0) 82 51. 91 0
 Fax: +49 (0) 82 51. 91 13 06
 E-Mail: info@mea-group.com
www.mea-group.com