

MEA 100 CLIPFIX CHANNEL COVERS

A 15, B 125, C 250, D 400**, E 600**

CW 100



BUILDING SUCCESS

PURPOSE OF USE

Channel covers for MEA drainage channels, as part of a drainage system to catch, transport and evacuate rainwater from adjoining surfaces.

** Not suitable for the diagonal or transverse travel of motorways and highways.

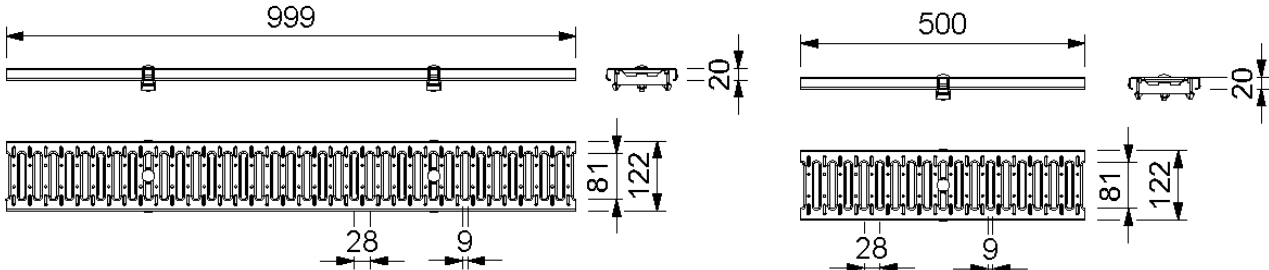
MEA 100 CLIPFIX CHANNEL COVERS

A 15, B 125, C 250, D 400**, E 600**

CW 100

MEA 100 CLIPFIX CHANNEL COVERS

With non-bolted CLIPFIX channel cover securement, with and without longitudinal shift protection. Suitable for **MEARIN PLUS/EXPERT 100, MEARIN PLUS F 100, MEADRAIN SV/SE/SG 1000** and **MEADRAIN SVF/SEF 1000**. For channel body and gully, total width of grates 122 mm.

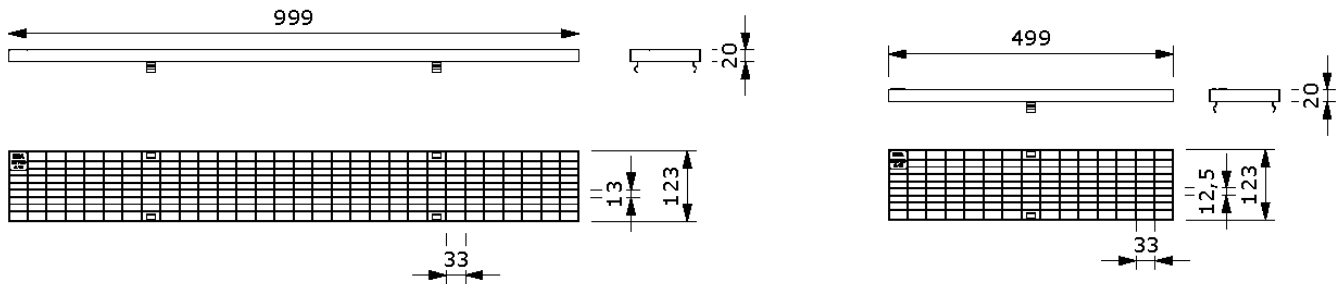


010152107

010152109

MEA 100 CLIPFIX, SLOTTED GRATING 10/85, LOADING CLASS A 15 ACCORDING TO EN 1433

Designation	Ord. No.	Material	Length [mm]	Inlet sect. area Ø cm ² /m above	kg/unit
MEA 100 Galv. Slotted grating-A 15-1 m 10/85 CX	010152107	Galv. steel	1000	280	1,42
MEA 100 Galv. Slotted grating-A 15-0,5 m 10/85 CX	010152109	Galv. steel	500	280	0,85
MEA 100 Stainl.steel slotted grating-A 15-1 m 10/85 CX *)	010152223	Stainl. steel	1000	280	1,42
MEA 100 Stainl.steel slotted grating-A 15-0,5 m 10/85 CX *)	010152225	Stainl. steel	500	280	0,87



010152204

010152209

MEA 100 CLIPFIX, MESH GRATING 30/10, LOADING CLASS A 15 ACCORDING TO EN 1433

Designation	Ord. No.	Material	Length [mm]	Inlet sect. area Ø cm ² /m above	kg/unit
MEA 100 Galv. mesh grating-A 15-1 m 30/10 CX	010152204	Galv. steel	1000	845	2,48
MEA 100 Galv. mesh grating-A 15-0,5 m 30/10 CX	010152209	Galv. steel	500	845	1,25
MEA 100 Stainl.steel mesh grating-A 15-1 m 30/10 CX *)	010730334	Stainl. steel	1000	845	2,60
MEA 100 Stainl.steel mesh grating-A 15-0,5 m 30/10 CX *)	010730336	Stainl. steel	500	845	1,40

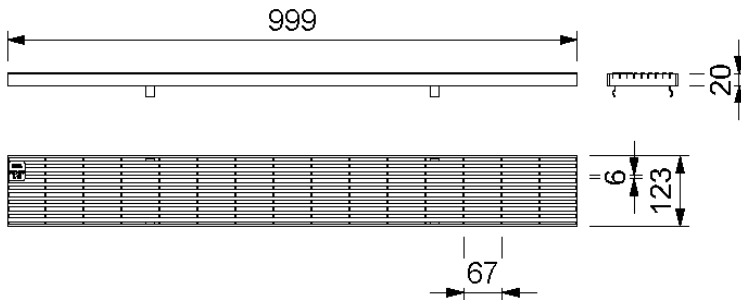
* Delivery time on demand.

** Not suitable for the diagonal or transverse travel of motorways and highways.

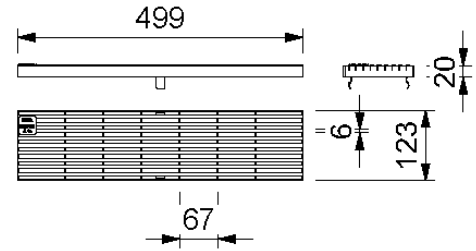
MEA 100 CLIPFIX CHANNEL COVERS

A 15, B 125, C 250, D 400**, E 600**

CW 100



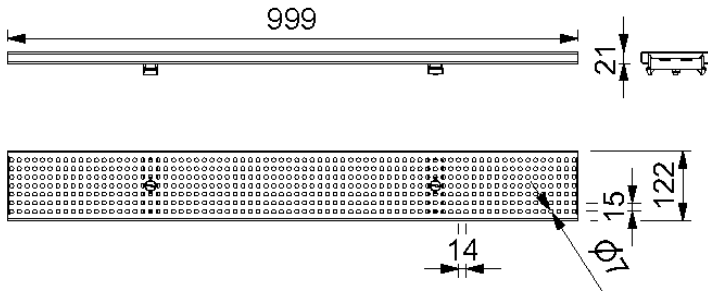
010730798



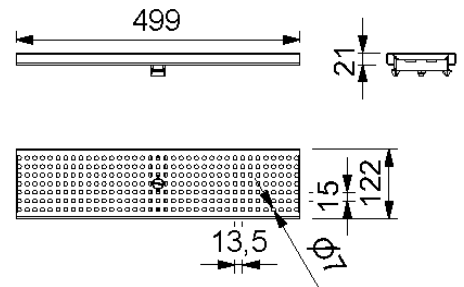
010730800

MEA 100 CLIPFIX, LONGITUDINAL BAR GRATING, LOADING CLASS A 15 ACCORDING TO EN 1433

Designation	Ord. No.	Material	Length [mm]	Inlet sect. area Ø cm ² /m above	kg/unit
MEA 100 Galv. Longitudinal bar grating-A 15-1 m CX	010730798	Galv. steel	1000	609	2,87
MEA 100 Galv. Longitudinal bar grating-A 15-0,5 m CX	010730800	Galv. steel	500	609	1,49
MEA 100 Stainl. steel longitudinal bar grating-A 15-1 m CX *)	010730802	Stainl. steel	1000	609	2,73
MEA 100 Stainl. steel longitudinal bar grating-A 15-0,5 m CX *)	010730804	Stainl. steel	500	609	1,35



010152920



010152922

MEA 100 CLIPFIX, PERFORATED GRATING Ø 6 MM, LOADING CLASS A 15 ACCORDING TO EN 1433

Designation	Ord. No.	Material	Length [mm]	Inlet sect. area Ø cm ² /m above	kg/unit
MEA 100 Galvanised steel perforated grating-A 15-1 m Ø 6 mm CX, heelguard *)	010152920	Galv. steel	1000	170	1,75
MEA 100 Galvanised steel perforated grating-A 15-0,5 m Ø 6 mm CX, heelguard *)	010152922	Galv. steel	500	170	0,95
MEA 100 Stainless steel perforated grating-A 15-1 m Ø 6 mm CX, heelguard *)	010152924	Stainl. steel	1000	170	1,75
MEA 100 Stainless steel perforated grating-A 15-0,5 m Ø 6 mm CX, heelguard *)	010152926	Stainl. steel	500	170	0,95

* Delivery time on demand.

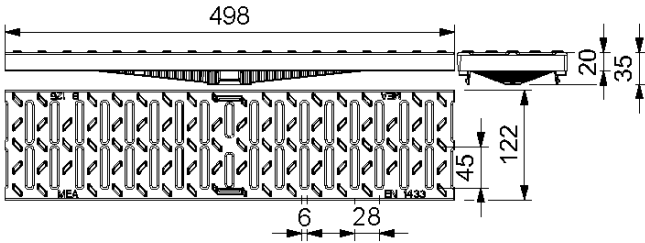
** Not suitable for the diagonal or transverse travel of motorways and highways.

MEA 100 CLIPFIX CHANNEL COVERS

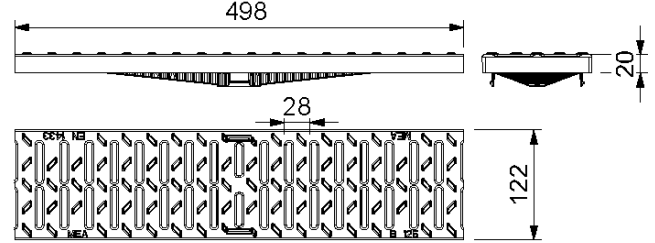
A 15, B 125, C 250, D 400**, E 600**

CW 100

BUILDING SUCCESS



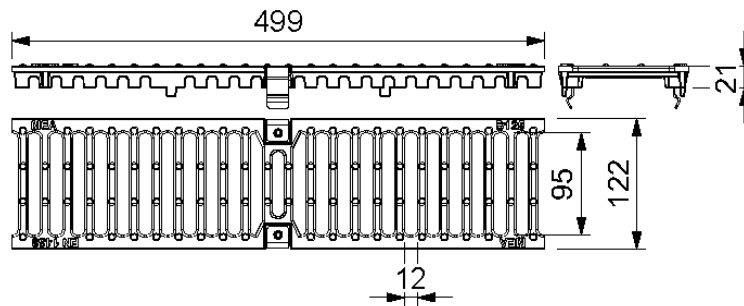
010152428



010152427

MEA 100 CLIPFIX, SLOTTED GRATING 6/45, LOADING CLASS B 125 ACCORDING TO EN 1433

Designation	Ord. No.	Material	Length [mm]	Inlet sect. area Ø cm ² /m above	kg/unit
MEA 100 recycled plastic slotted grating-B 125-0,5 m 6/45 CXL, heelguard	010152428	Regranulate	500	207	0,85
MEA 100 Plastic slotted grating-B 125-0,5 m 6/45 CX, heelguard *)	010152427	Plastic	500	207	0,85



010145125

MEA 100 CLIPFIX, SLOTTED GRATING 12/95, LOADING CLASS B 125 ACCORDING TO EN 1433

Designation	Ord. No.	Material	Length [mm]	Inlet sect. area Ø cm ² /m above	kg/unit
MEA 100 Ductile Iron slotted grating-B 125-0,5 m 12/95 CXL ****)	010145125	Ductile iron	500	556	2,20

* Delivery time on demand.

** Not suitable for the diagonal or transverse travel of motorways and highways.

**** The surface coating of ductile iron parts only has a temporary and cosmetic function. Ductile iron is virtually impervious to surface oxidation from environmental influences (e.g. thawing salt). Superficial rust does not constitute a product defect. Of course, the resignation of surface coating is in accordance with all corresponding standards.

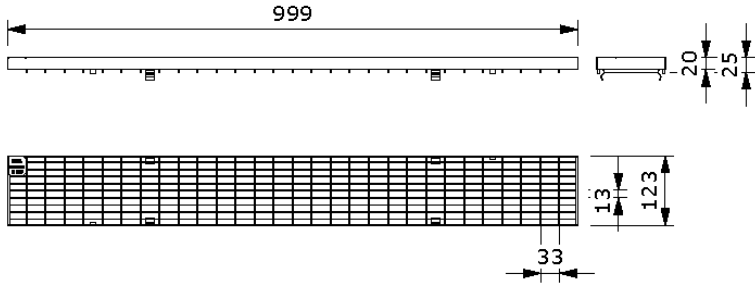
MEA 100 CLIPFIX CHANNEL COVERS

A 15, B 125, C 250, D 400**, E 600**

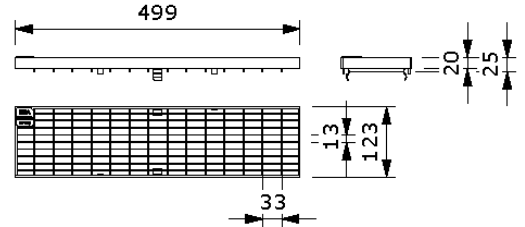
CW 100



BUILDING SUCCESS



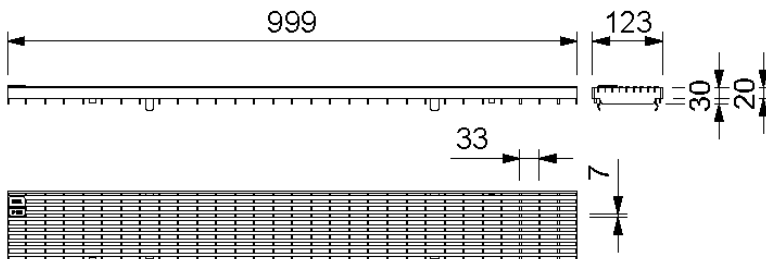
010152324



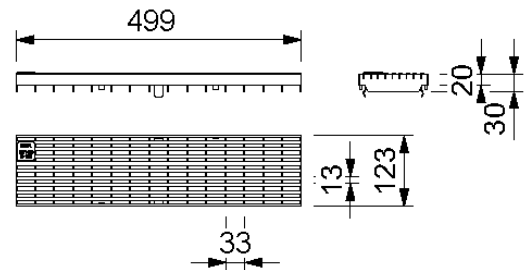
010152326

MEA 100 CLIPFIX, MESH GRATING 30/10, LOADING CLASS B 125 ACCORDING TO EN 1433

Designation	Ord. No.	Material	Length [mm]	Inlet sect. area Ø cm ² /m above	kg/unit
MEA 100 Galv. Mesh grating-B 125-1 m 30/10 CXL	010152324	Galv. steel	1000	845	3,22
MEA 100 Galv. Mesh grating-B 125-0,5 m 30/10 CXL	010152326	Galv. steel	500	845	1,71



010730806



010730808

MEA 100 CLIPFIX, LONGITUDINAL BAR GRATING 31/7, LOADING CLASS B 125 ACCORDING TO EN 1433

Designation	Ord. No.	Material	Length [mm]	Inlet sect. area Ø cm ² /m above	kg/unit
MEA 100 Galv. longitudinal bar grating-B 125-1 m 31/7 CXL, heelguard	010730806	Galv. steel	1000	590	4,00
MEA 100 Galv. longitudinal bar grating-B 125-0,5 m 31/7 CXL, heelguard	010730808	Galv. steel	500	590	1,99
MEA 100 Stainl.steel longitudinal bar grating-B 125-1 m 31/7 CXL, heelguard *)	010730810	Stainl. steel	1000	590	3,62
MEA 100 Stainl.steel longitudinal bar grating-B 125-0,5 m 31/7 CXL, heelguard *)	010730812	Stainl. steel	500	590	1,86

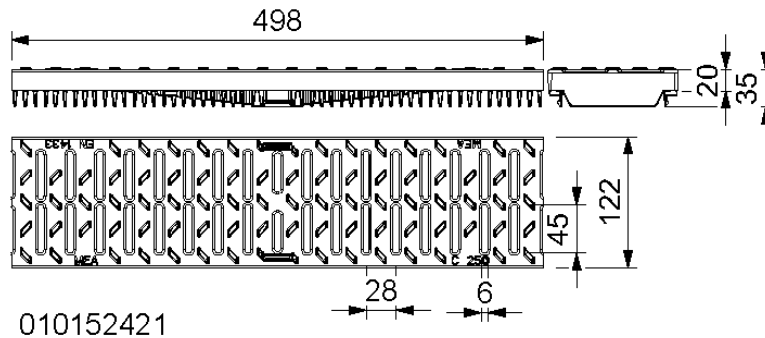
* Delivery time on demand.

** Not suitable for the diagonal or transverse travel of motorways and highways.

MEA 100 CLIPFIX CHANNEL COVERS

A 15, B 125, C 250, D 400**, E 600**

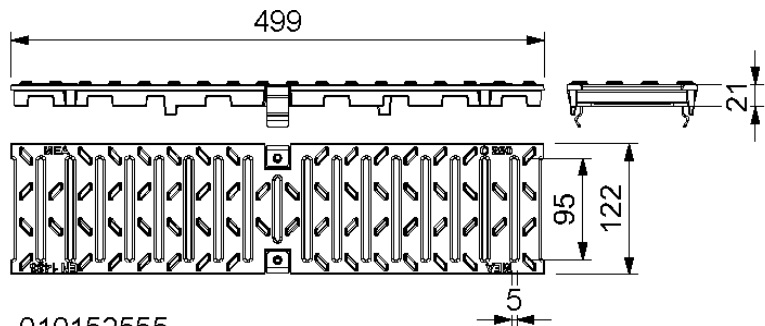
CW 100



010152421

MEA 100 CLIPFIX, SLOTTED GRATING 6/45, LOADING CLASS C 250 ACCORDING TO EN 1433

Designation	Ord. No.	Material	Length [mm]	Inlet sect. area Ø cm ² /m above	kg/unit
MEA 100 Plastic slotted grating-C 250-0,5 m 6/45 CXL, heelguard	010152421	Plastic	500	207	1,07



010152555

MEA 100 CLIPFIX, SLOTTED GRATING 5/95, LOADING CLASS C 250 ACCORDING TO EN 1433

Designation	Ord. No.	Material	Length [mm]	Inlet sect. area Ø cm ² /m above	kg/unit
MEA 100 Ductile Iron slotted grating-C 250-0,5 m 5/95 CXL, heelguard ****)	010152555	Ductile iron	500	156	3,31

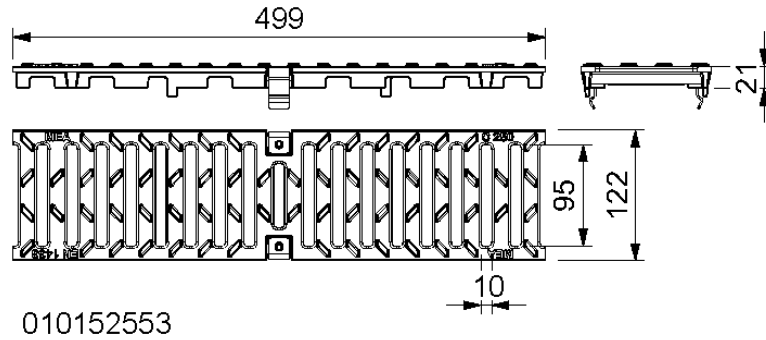
** Not suitable for the diagonal or transverse travel of motorways and highways.

**** The surface coating of ductile iron parts only has a temporary and cosmetic function. Ductile iron is virtually impervious to surface oxidation from environmental influences (e.g. thawing salt). Superficial rust does not constitute a product defect. Of course, the resignation of surface coating is in accordance with all corresponding standards.

MEA 100 CLIPFIX CHANNEL COVERS

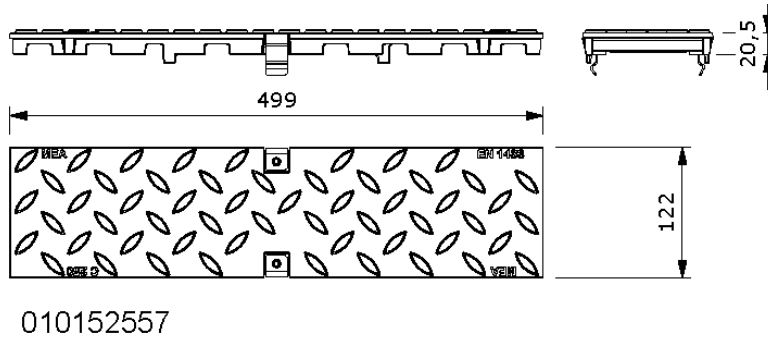
A 15, B 125, C 250, D 400**, E 600**

CW 100



MEA 100 CLIPFIX, SLOTTED GRATING 10/95, LOADING CLASS C 250 ACCORDING TO EN 1433

Designation	Ord. No.	Material	Length [mm]	Inlet sect. area Ø cm ² /m above	kg/unit
MEA 100 Ductile Iron slotted grating-C 250-0,5 m 10/95 CXL ****)	010152553	Ductile iron	500	350	3,30



MEA 100 CLIPFIX, SOLID GRATING, LOADING CLASS C 250 ACCORDING TO EN 1433

Designation	Ord. No.	Material	Length [mm]	Inlet sect. area Ø cm ² /m above	kg/unit
MEA 100 Ductile Iron solid grating-C 250-0,5 m CXL *) ****)	010152557	Ductile iron	500	-	3,80

* Delivery time on demand.

** Not suitable for the diagonal or transverse travel of motorways and highways.

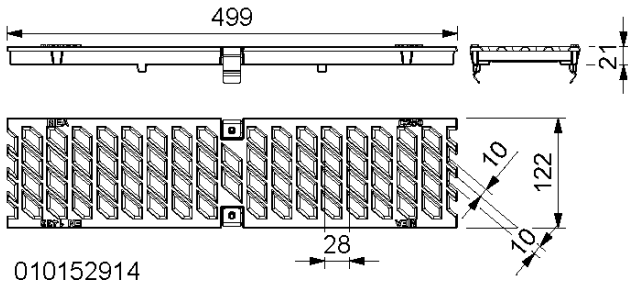
**** The surface coating of ductile iron parts only has a temporary and cosmetic function. Ductile iron is virtually impervious to surface oxidation from environmental influences (e.g. thawing salt). Superficial rust does not constitute a product defect. Of course, the resignation of surface coating is in accordance with all corresponding standards.

MEA 100 CLIPFIX CHANNEL COVERS

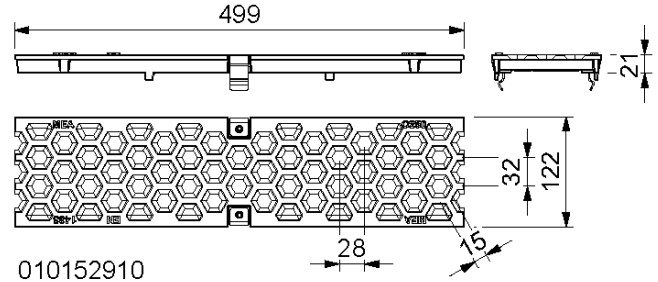
A 15, B 125, C 250, D 400**, E 600**

CW 100

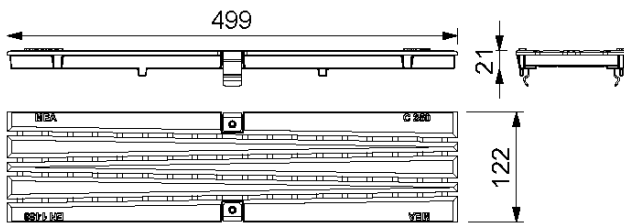
BUILDING SUCCESS



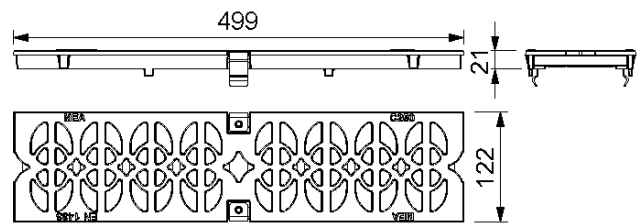
010152914



010152910



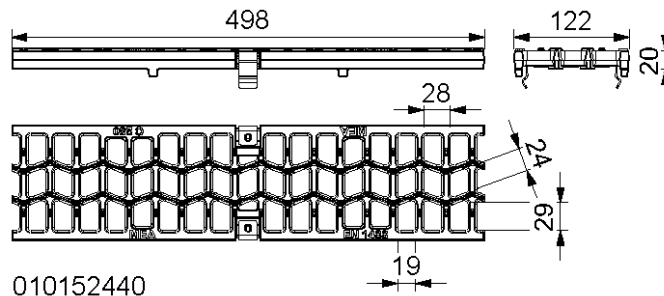
010152916



010152912

MEA 100 CLIPFIX, DESIGN GRATING, LOADING CLASS C 250 ACCORDING TO EN 1433

Designation	Ord. No.	Material	Length [mm]	Inlet sect. area Ø cm ² /m above	kg/unit
MEA 100 Design grating BAVARIA-C 250-0,5 m 10/21 CXL ****)	010152914	Ductile iron	500	292	3,00
MEA 100 Design grating HONEYCOMB-C 250-0,5 m 15/17 CXL ****)	010152910	Ductile iron	500	206	3,40
MEA 100 Design grating BACKGAMMON-C 250-0,5 m 20/5 CXL, heelguard ****)	010152916	Ductile iron	500	200	3,30
MEA 100 Design grating CATHEDRAL-C 250-0,5 m 17/36 CXL ****)	010152912	Ductile iron	500	496	3,30



010152440

MEA 100 CLIPFIX, WAVE-GRATING 19/24, LOADING CLASS C 250 ACCORDING TO EN 1433

Designation	Ord. No.	Material	Length [mm]	Inlet sect. area Ø cm ² /m above	kg/unit
MEA 100 Ductile Iron WAVE grating-C 250-0,5 m 19/24 CXL ****)	010152440	Ductile iron	500	546	3,84

** Not suitable for the diagonal or transverse travel of motorways and highways.

**** The surface coating of ductile iron parts only has a temporary and cosmetic function. Ductile iron is virtually impervious to surface oxidation from environmental influences (e.g. thawing salt). Superficial rust does not constitute a product defect. Of course, the resignation of surface coating is in accordance with all corresponding standards.

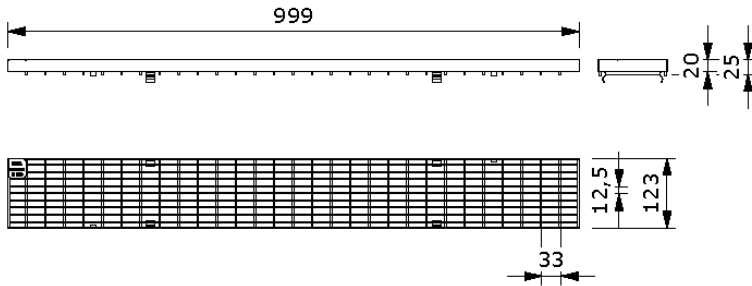
MEA 100 CLIPFIX CHANNEL COVERS

A 15, B 125, C 250, D 400**, E 600**

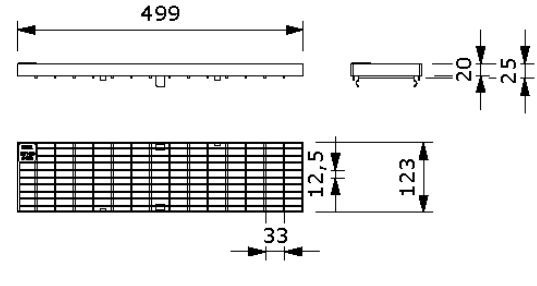
CW 100



BUILDING SUCCESS



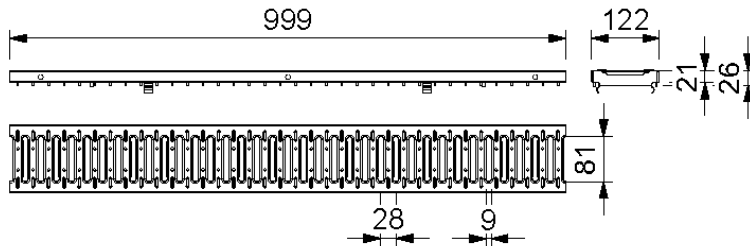
010152328



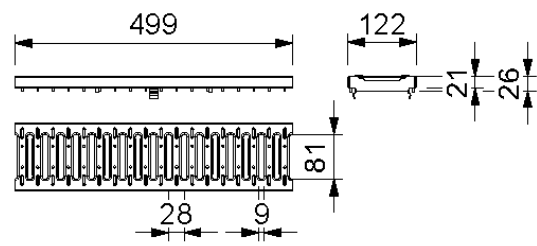
010152330

MEA 100 CLIPFIX, MESH GRATING 30/10, LOADING CLASS C 250 ACCORDING TO EN 1433

Designation	Ord. No.	Material	Length [mm]	Inlet sect. area Ø cm ² /m above	kg/unit
MEA 100 Galv. mesh grating-C 250-1 m 30/10 CXL	010152328	Galv. steel	1000	857	5,35
MEA 100 Galv. mesh grating-C 250-0,5 m 30/10 CXL	010152330	Galv. steel	500	857	2,76
MEA 100 Stainl. steel mesh grating-C 250-1 m 30/10 CXL *)	010152332	Stainl. steel	1000	857	5,23
MEA 100 Stainl. steel mesh grating-C 250-0,5 m 30/10 CXL *)	010152334	Stainl. steel	500	857	2,64



010152442



010152444

MEA 100 CLIPFIX, SLOTTED GRATING 10/85, LOADING CLASS C 250 ACCORDING TO EN 1433

Designation	Ord. No.	Material	Length [mm]	Inlet sect. area Ø cm ² /m above	kg/unit
MEA 100 Galv. Slotted grating-C 250-1 m 10/85 CXL	010152442	Galv. steel	1000	280	4,40
MEA 100 Galv. Slotted grating-C 250-0,5 m 10/85 CXL	010152444	Galv. steel	500	280	2,10
MEA 100 Stainl. steel slotted grating-C 250-1 m 10/85 CXL *)	010152446	Stainl. steel	1000	280	4,24
MEA 100 Stainl. steel slotted grating-C 250-0,5 m 10/85 CXL *)	010152448	Stainl. steel	500	280	2,10

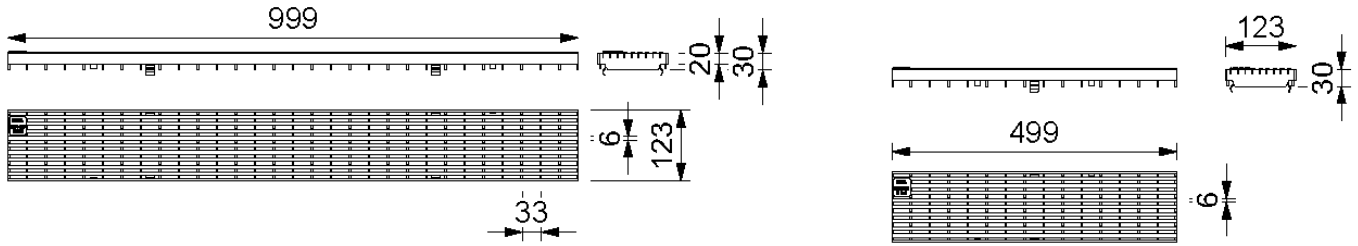
* Delivery time on demand.

** Not suitable for the diagonal or transverse travel of motorways and highways.

MEA 100 CLIPFIX CHANNEL COVERS

A 15, B 125, C 250, D 400**, E 600**

CW 100

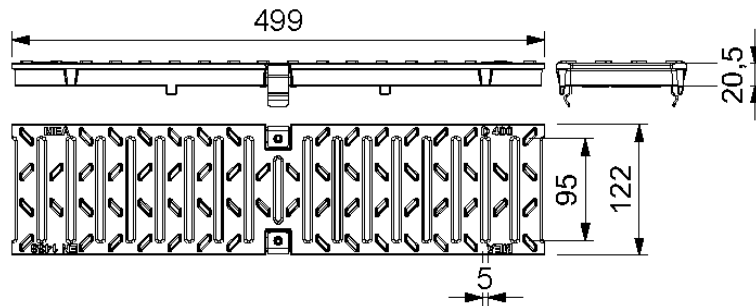


010152450

010152452

MEA 100 CLIPFIX, LONGITUDINAL BAR GRATING 31/7, LOADING CLASS C 250 ACCORDING TO EN 1433

Designation	Ord. No.	Material	Length [mm]	Inlet sect. area Ø cm ² /m above	kg/unit
MEA 100 Stainl. Steel longitudinal bar grating-C 250-1 m 31/7 CXL, heelguard *)	010152450	Stainl. steel	1000	590	4,48
MEA 100 Stainl. Steel longitudinal bar grating-C 250-0,5 m 31/7 CXL, heelguard *)	010152452	Stainl. steel	500	590	2,86



010152767

MEA 100 CLIPFIX, SLOTTED GRATING 5/95, LOADING CLASS D 400** ACCORDING TO EN 1433

Designation	Ord. No.	Material	Length [mm]	Inlet sect. area Ø cm ² /m above	kg/unit
MEA 100 Ductile Iron slotted grating-D 400-0,5 m 5/95 CXL, heelguard **) ****)	010152767	Ductile iron	500	186	4,00

* Delivery time on demand.

** Not suitable for the diagonal or transverse travel of motorways and highways.

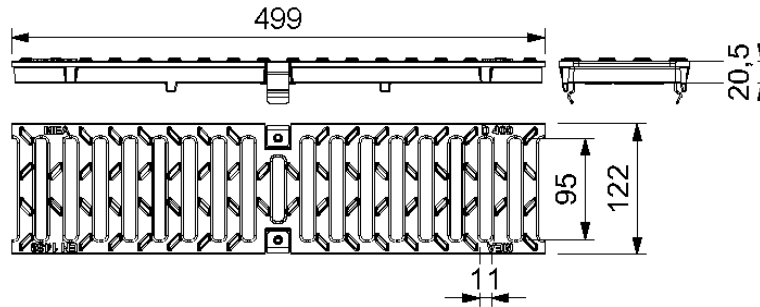
**** The surface coating of ductile iron parts only has a temporary and cosmetic function. Ductile iron is virtually impervious to surface oxidation from environmental influences (e.g. thawing salt). Superficial rust does not constitute a product defect. Of course, the resignation of surface coating is in accordance with all corresponding standards.

MEA 100 CLIPFIX CHANNEL COVERS

A 15, B 125, C 250, D 400**, E 600**

CW 100

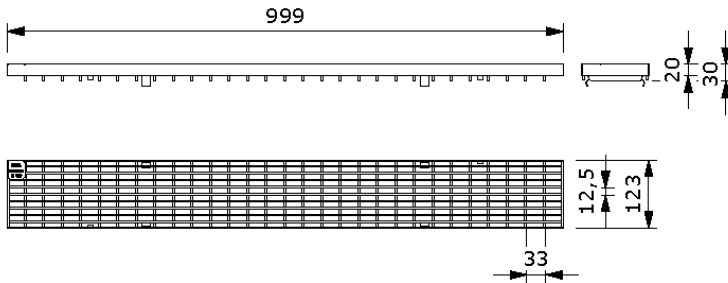
BUILDING SUCCESS



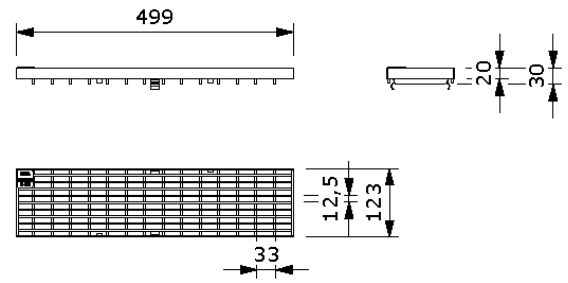
010712677

MEA 100 CLIPFIX, SLOTTED GRATING 11/95, LOADING CLASS D 400** ACCORDING TO EN 1433

Designation	Ord. No.	Material	Length [mm]	Inlet sect. area Ø cm ² /m above	kg/unit
MEA 100 Ductile Iron slotted grating-D 400-0,5 m 11/95 CXL **) ****)	010712677	Ductile iron	500	410	3,50



010152335



010152337

MEA 100 CLIPFIX, MESH GRATING 30/10, LOADING CLASS D 400** ACCORDING TO EN 1433

Designation	Ord. No.	Material	Length [mm]	Inlet sect. area Ø cm ² /m above	kg/unit
MEA 100 Galv. Mesh grating-D 400-1 m 30/10 CXL *) **)	010152335	Galv. steel	1000	845	5,90
MEA 100 Galv. Mesh grating-D 400-0,5 m 30/10 CXL *) **)	010152337	Galv. steel	500	845	2,90
MEA 100 Stainl.steel mesh grating-D 400-1 m 30/10 CXL *) **)	010152351	Stainl. steel	1000	845	5,90
MEA 100 Stainl.steel mesh grating-D 400-0,5 m 30/10 CXL *) **)	010152353	Stainl. steel	500	845	2,90

* Delivery time on demand.

** Not suitable for the diagonal or transverse travel of motorways and highways.

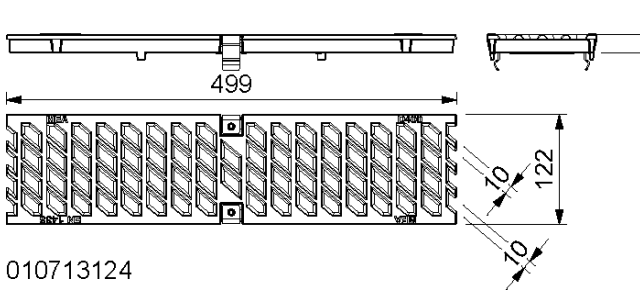
**** The surface coating of ductile iron parts only has a temporary and cosmetic function. Ductile iron is virtually impervious to surface oxidation from environmental influences (e.g. thawing salt). Superficial rust does not constitute a product defect. Of course, the resignation of surface coating is in accordance with all corresponding standards.

MEA 100 CLIPFIX CHANNEL COVERS

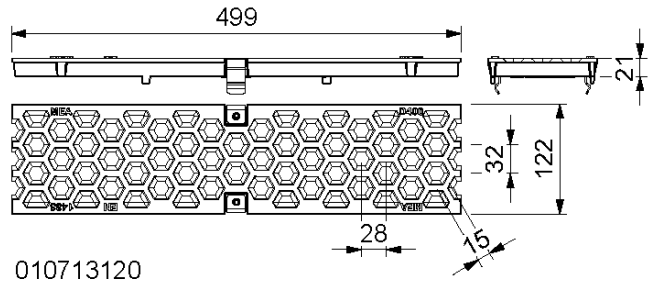
A 15, B 125, C 250, D 400**, E 600**

CW 100

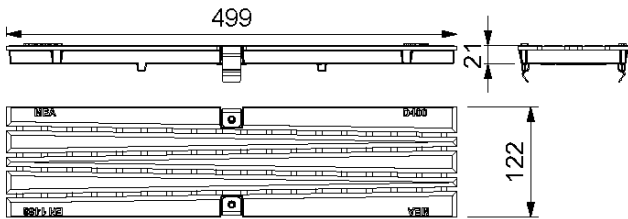
BUILDING SUCCESS



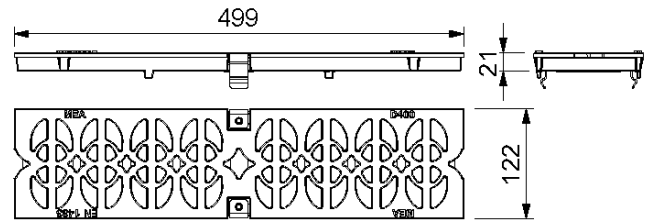
010713124



010713120



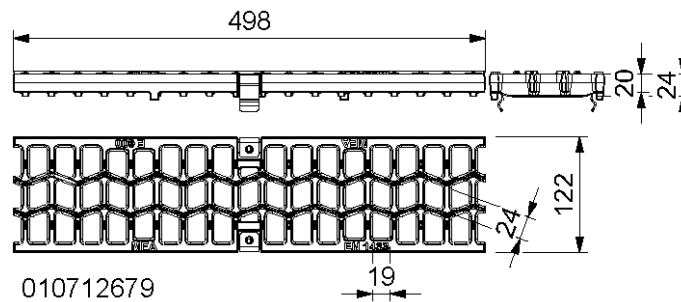
010713126



010713122

MEA 100 CLIPFIX, DESIGN GRATINGS, LOADING CLASS D 400** ACCORDING TO EN 1433

Designation	Ord. No.	Material	Length [mm]	Inlet sect. area \varnothing cm ² /m above	kg/unit
MEA 100 Design grating BAVARIA-D 400-0,5 m 10/21 CXL *) **) ****)	010713124	Ductile iron	500	292	3,30
MEA 100 Design grating HONEYCOMB-D 400-0,5 m 15/17 CXL *) **) ****)	010713120	Ductile iron	500	206	3,40
MEA 100 Design grating BACKGAMMON-D 400-0,5 m 20/5 CXL, heelguard **) ****)	010713126	Ductile iron	500	200	3,60
MEA 100 Design grating CATHEDRAL-D 400-0,5 m 17/36 CXL **) ****)	010713122	Ductile iron	500	496	3,40



010712679

MEA 100 CLIPFIX, WAVE-GRATING 19/24, LOADING CLASS E 600** ACCORDING TO EN 1433

Designation	Ord. No.	Material	Length [mm]	Inlet sect. area \varnothing cm ² /m above	kg/unit
MEA 100 Ductile Iron WAVE grating-E 600-0,5 m 19/24 CXL **) ****)	010712679	Ductile iron	500	309	4,50

* Delivery time on demand.

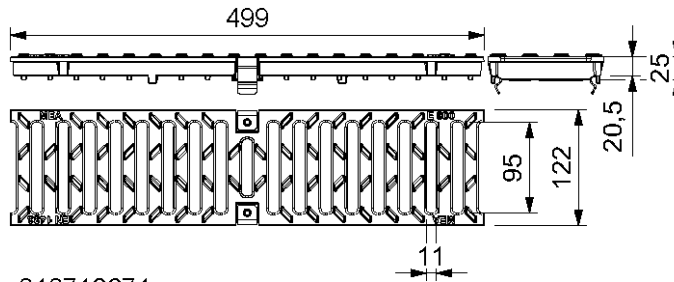
** Not suitable for the diagonal or transverse travel of motorways and highways.

**** The surface coating of ductile iron parts only has a temporary and cosmetic function. Ductile iron is virtually impervious to surface oxidation from environmental influences (e.g. thawing salt). Superficial rust does not constitute a product defect. Of course, the resignation of surface coating is in accordance with all corresponding standards.

MEA 100 CLIPFIX CHANNEL COVERS

A 15, B 125, C 250, D 400**, E 600**

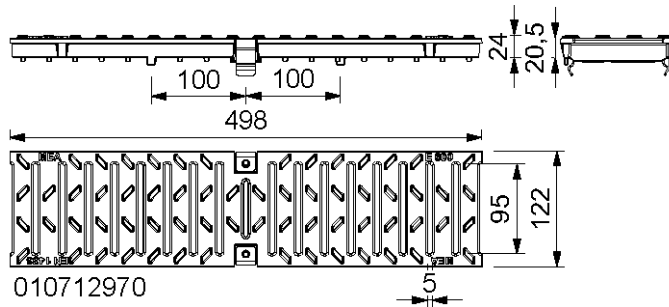
CW 100



010712671

MEA 100 CLIPFIX, SLOTTED GRATING 11/95, LOADING CLASS E 600** ACCORDING TO EN 1433

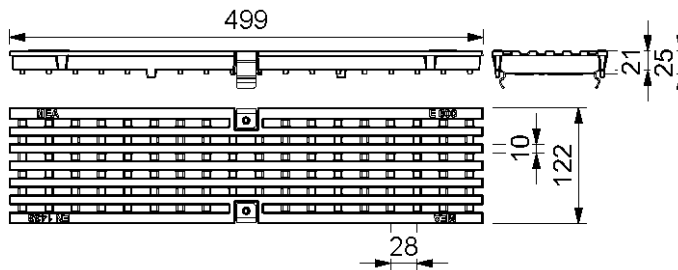
Designation	Ord. No.	Material	Length [mm]	Inlet sect. area Ø cm ² /m above	kg/unit
MEA 100 Ductile Iron slotted grating-E 600-0,5 m 11/95 CXL (**) ****)	010712671	Ductile iron	500	410	3,90



010712970

MEA 100 CLIPFIX, SLOTTED GRATING 5/95, LOADING CLASS E 600** ACCORDING TO EN 1433

Designation	Ord. No.	Material	Length [mm]	Inlet sect. area Ø cm ² /m above	kg/unit
MEA 100 Ductile Iron slotted grating-E 600-0,5 m 5/95 CXL, heelguard **) ****)	010712970	Ductile iron	500	156	4,22



010712703

MEA 100 CLIPFIX, LONGITUDINAL BAR GRATING 19/7,7; LOADING CLASS E 600** ACCORDING TO EN 1433

Designation	Ord. No.	Material	Length [mm]	Inlet sect. area Ø cm ² /m above	kg/unit
MEA 100 Ductile Iron longitudinal bar grating-E 600-0,5 m 19/7,7 CXL, heelguard 20) **) ****)	010712703	Ductile iron	500	380	3,56

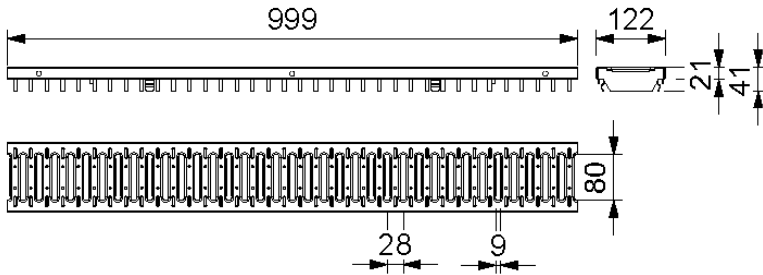
** Not suitable for the diagonal or transverse travel of motorways and highways.
 **** The surface coating of ductile iron parts only has a temporary and cosmetic function. Ductile iron is virtually impervious to surface oxidation from environmental influences (e.g. thawing salt). Superficial rust does not constitute a product defect. Of course, the resignation of surface coating is in accordance with all corresponding standards.
 20) The grate corresponds to the ADA regulations (Americans Disabilities Act) for a handicapped accessible method of construction. Ideally suited for wheelchair and bicycle driving and for pedestrian traffic. Slot widths transverse to the travel direction under 13 mm. Slot widths transverse under 40 mm. Sliding-inhibiting elevations under 3 mm. Sliding-inhibiting surface (ductile iron)

MEA 100 CLIPFIX CHANNEL COVERS

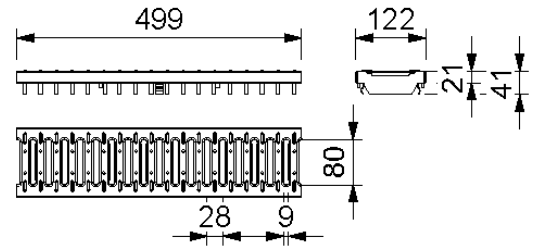
A 15, B 125, C 250, D 400**, E 600**

CW 100

BUILDING SUCCESS



010712972



010712974

MEA 100 CLIPFIX, SLOTTED GRATING 10/85, LOADING CLASS E 600** ACCORDING TO EN 1433

Designation	Ord. No.	Material	Length [mm]	Inlet sect. area Ø cm ² /m above	kg/unit
MEA 100 Galv. Slotted grating-E 600-1 m 10/85 CXL **)	010712972	Galv. steel	1000	280	4,40
MEA 100 Galv. Slotted grating-E 600-0,5 m 10/85 CXL **)	010712974	Galv. steel	500	280	2,20
MEA 100 Stainl. steel slotted grating-E 600-1 m 10/85 CXL *) **)	010712976	Stainl. steel	1000	280	4,40
MEA 100 Stainl. steel slotted grating-E 600-0,5 m 10/85 CXL *) **)	010712978	Stainl. steel	500	280	2,20

GRID HOOK

Designation	Ord. No.	Material	kg/unit
MEADRAIN/MEARIN Grid hook	010152115	Galv. steel	0,23

MEA 100 CLIPFIX ANTI-THEFT PROTECTION

Designation	Ord. No.	Material	kg/unit
MEA 100 CLIPFIX Anti-theft protection, bolt fixing required, 10 Pack. Cannot be used in the MEARIN PLUS F100.0 shallow channel and plastic gratings.	010714705	Plastic, Stainl. steel	0,60

* Delivery time on demand.

** Not suitable for the diagonal or transverse travel of motorways and highways.

This edition of the technical data sheet shall be valid from March 2022 until a revised version is published and replaces any previous publications. The respectively current version is available for download at www.mea-group.com.

MEA Bautechnik GmbH
 Business unit MEA Water Management
 Sudetenstraße 1
 86551 Aichach
 Tel.: +49 (0) 82 51. 91 0
 Fax: +49 (0) 82 51. 91 13 06
 E-Mail: info@mea-group.com
www.mea-group.com