

**MATERIAL CHARACTERISTICS**

<b>FIBERGLASS COMPOSITE</b>	glass-fibre-reinforced polyester, mineral fillers, additives
<b>TENSILE STRENGTH</b>	65 N/mm <sup>2</sup> (ISO 527)
<b>BENDING STRENGTH</b>	120 N/mm <sup>2</sup> (ISO 14125)
<b>ELASTICITY MODULE</b>	10,000 N/mm <sup>2</sup> (ISO 14125)
<b>DENSITY</b>	2.0 g/cm <sup>3</sup> (ISO 1172)
<b>COEFFICIENT OF LINEAR EXPANSION</b>	1.5 - 2.0 x 10 <sup>-5</sup> 1/K
<b>HEAT RESISTANCE</b>	100°C continuous load, up to 240°C with a load duration up to 110 min.
<b>FROST RESISTANCE</b>	-35°C
<b>WATER PENETRATION LEVEL</b>	0 mm
<b>WATER ABSORPTION</b>	0,078 % (EN ISO 62:2008-05 Procedure 1)
<b>MATERIAL STRUCTURE</b>	Capillary free

**PURPOSE OF USE**

Component for the line drainage of surfaces in order to collect, transport and discharge rainwater from adjacent fixed surfaces.

**DESIGN**

/ Length 1000 mm

**EDGE PROTECTION**

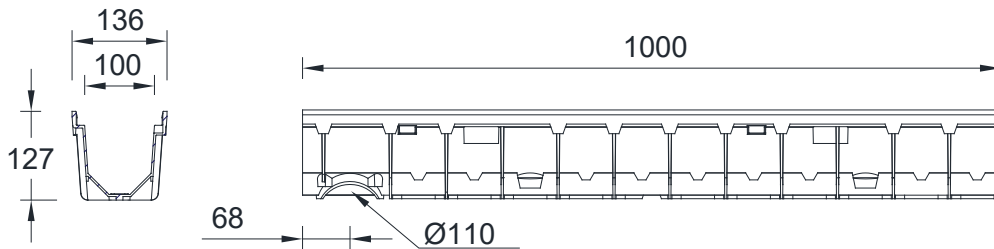
/ Glass-fibre-reinforced composite

**ACCESSORIES**

- / Inlet box
- / End cap with connection facility Ø 75 mm
- / End cap with connection facility Ø 80 mm
- / Vertical drain socket Ø 110 mm

**MEAFLUID 100 DRAINAGE CHANNEL WITH A GLASS-FIBRE COMPOSITE EDGE**

Drainage channel made of glass-fibre-reinforced composite. Clear width 100 mm, total width 136 mm. For the realization of water level slopes. Loading classes, A 15 to C 250 according to EN 1433. Suitable for all channel covers with non-bolted CLIPFIX channel securement. Load capacity according to specification when installed according to the MEA installation instructions.



**MEAFLUID 100 COMPLETE CHANNELS**

Designation	Ord. No.	Length (mm)	Height (mm)	kg/unit
MEAFLUID 100.0 GREY complete channel 1 m with galv. slotted grating A 15 TX	010145124	1000	127	4,90
MEAFLUID 100.0 GREY complete channel 1 m with galv. mesh grating B 125 CXL	010145126	1000	127	5,90
MEAFLUID 100.0 GREY complete channel 1 m with plastic slotted grating B 125 CXL	010145128	1000	127	4,30
MEAFLUID 100.0 GREY complete channel 1 m with ductile iron slotted grating B 125 CXL	010145130	1000	127	6,80
MEAFLUID 100.0 GRIS + grille passerelle polyamide C 250 CX	010145127	1000	127	4,74
MEAFLUID 100.0 GRIS + grille passerelle fonte C 250 CX	010145129	1000	127	9,20

**MEAFLUID 100 DRAINAGE CHANNEL BODY WITHOUT FALL, LOADING CLASSES A 15 TO C 250 ACCORDING TO EN 1433**

Designation	Ord. No.	Length (mm)	Height (mm)	kg/unit
MEAFLUID 100.0 GREY drainage channel body-1 m	010145100	1000	127	2,60
MEAFLUID 100.0 GREY drainage channel body-1 m bolt fixing required	010145200	1000	127	2,60

**MEAFLUID 100 COMPLETE BLACK CHANNELS**

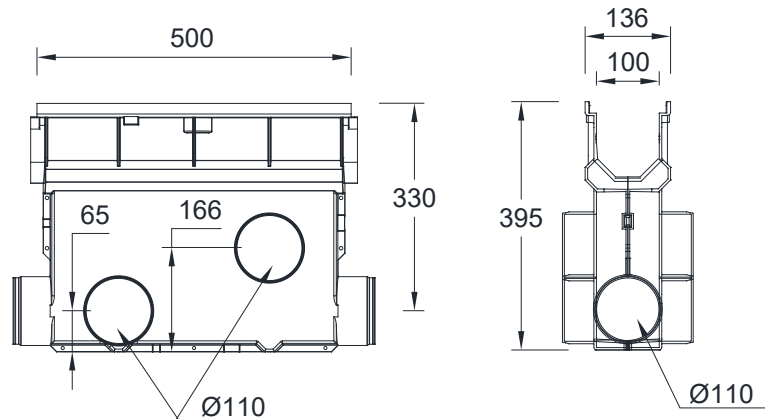
Designation	Ord. No.	Length (mm)	Height (mm)
MEAFLUID 100 complete channel 1 m with galv. slotted grating	010145005	1000	127
MEAFLUID 100 BLACK complete channel 1 m with plastic slotted grating B 125 CXL	010145137	1000	127
MEAFLUID 100 BLACK complete channel 1 m with ductile iron slotted grating B 125 CX	010145009	1000	127
MEAFLUID 100 BLACK + grille passerelle polyamide C 250 CX	010145135	1000	127
MEAFLUID 100 BLACK + grille passerelle fonte C 250 CX	010145139	1000	127
MEAFLUID 100 BLACK complete channel 0,5 m with galv. slotted grating	010145006	500	127

**MEAFLUID 100 BLACK DRAINAGE CHANNEL BODY WITH INLET BOX**

Designation	Ord. No.	Length (mm)	Height (mm)	kg/unit
MEAFLUID 100 BLACK drainage channel body-1 m	010145000	1000	127	2,60
MEAFLUID 100 BLACK drainage channel body-0,5 m	010145008	500	127	1,30

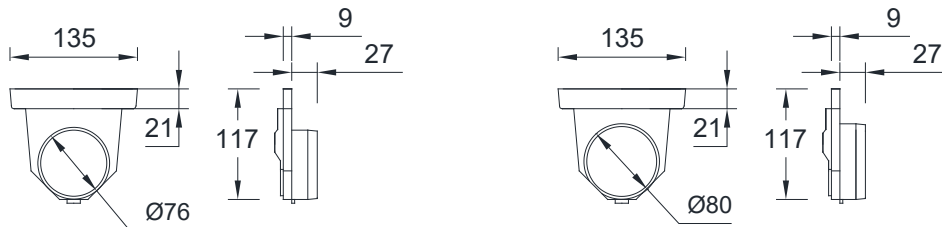
**MEAFLUID 100 BLACK GULLY WITH SLOTTED GRATING**

Designation	Ord. No.	Length (mm)	Height (mm)	kg/unit
MEAFLUID 100.EK BLACK gully with galv. slotted grating-A 15-0,5 m TX	010145007	500	395	4,00



**MEAFUID 100 GULLY WITH SEDIMENT BUCKET**

Designation	Ord. No.	Length (mm)	Height (mm)	kg/unit
MEAFUID 100.EK gully 0,5 m with sediment bucket	010145108	500	395	5,00
MEAFUID 100.EK BLACK gully 0,5 m with sediment bucket	010145002	500	395	2,60
MEAGARD II-LINE-RIN-Plastic sediment bucket	010710061	466	150	0,31



**MEAFUID 100 END CAPS**

Designation	Ord. No.	Material	kg/unit
MEAFUID 100 End cap with lateral pipe connection Ø 75 mm	010141350	PP	0,06
MEAFUID 100 End cap with lateral pipe connection Ø 80 mm	010141352	PP	0,06
MEAFUID 100.SE BLACK closed End cap for channel start/end with possible Ø 75 mm	010145003	PP	0,30
MEAFUID 100 BLACK connector Ø 110 mm	010145004	GRP	0,30
MEAFUID 100 Drainage kit, contains drainage connector Ø 110 mm, odour trap and 2 end caps closed	010141400	PP	0,30

This edition of the technical data sheet shall be valid from September 2021 until a revised version is published and replaces any previous publications. The respectively current version is available for download at [www.mea-group.com](http://www.mea-group.com).

MEA Bautechnik GmbH  
 Business Unit MEA Water Management  
 Sudetenstraße 1  
 86551 Aichach  
 Tel.: +49 (0) 82 51. 91 0  
 Fax: +49 (0) 82 51. 91 13 06  
 E-Mail: [info@mea-group.com](mailto:info@mea-group.com)  
[www.mea-group.com](http://www.mea-group.com)