

**MATERIAL CHARACTERISTICS**

<b>POLYMER CONCRETE</b>	on a Polyester resin basis, with mineral fillers, additives
<b>COMPRESSIVE STRENGTH</b>	≥ 90 N/mm <sup>2</sup>
<b>BENDING STRENGTH</b>	≥ 22 N/mm <sup>2</sup>
<b>ELASTICITY MODULE</b>	25,000 – 35,000 N/mm <sup>2</sup>
<b>DENSITY</b>	2,1 – 2,3 kg/dm <sup>3</sup>
<b>COEFFICIENT OF LINEAR EXPANSION</b>	Approx. 1.45 x 10 <sup>-5</sup> 1/K
<b>HEAT RESISTANCE</b>	100°C continuous load, up to 200°C with a load duration up to 5 min.
<b>FROST RESISTANCE</b>	- 50 °C
<b>WATER PENETRATION LEVEL</b>	0 mm
<b>WATER ABSORPTION</b>	< 0.05%
<b>MATERIAL STRUCTURE</b>	Capillary free

**PURPOSE OF USE**

Component for the line drainage of surfaces in order to collect, transport and discharge water from adjacent fixed surfaces. Especially suitable for use as a drainage channel but also as an evaporation channel in multi-storey car parks, underground garages, industrial plants, etc.

**DESIGN**

- / Length 1000 mm
- / Length 1000 mm including formed-in drain socket

**DRAINAGE PERFORMANCE**

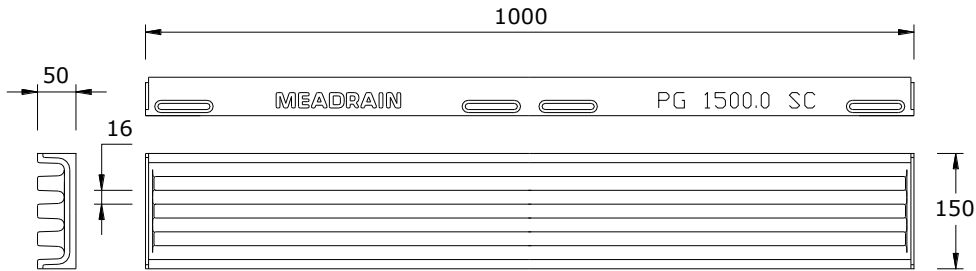
- / Drainage performance channel on the free outlet:  
0.4 l/s
- / Water absorption volumen: 2.25 l/m

**ACCESSORIES**

- / Drainage element incl. cover and dirt filter, with drain connection Ø 110 mm
- / Crossing element
- / End cap for channel
- / End cap for drain element
- / Joint cleaner
- / Joint cleaning shovel

## MULTI-STOREY CAR PARK CHANNEL MEADRAIN PG 1500 WITH SEALING JOINT ACCORDING TO EN 1433

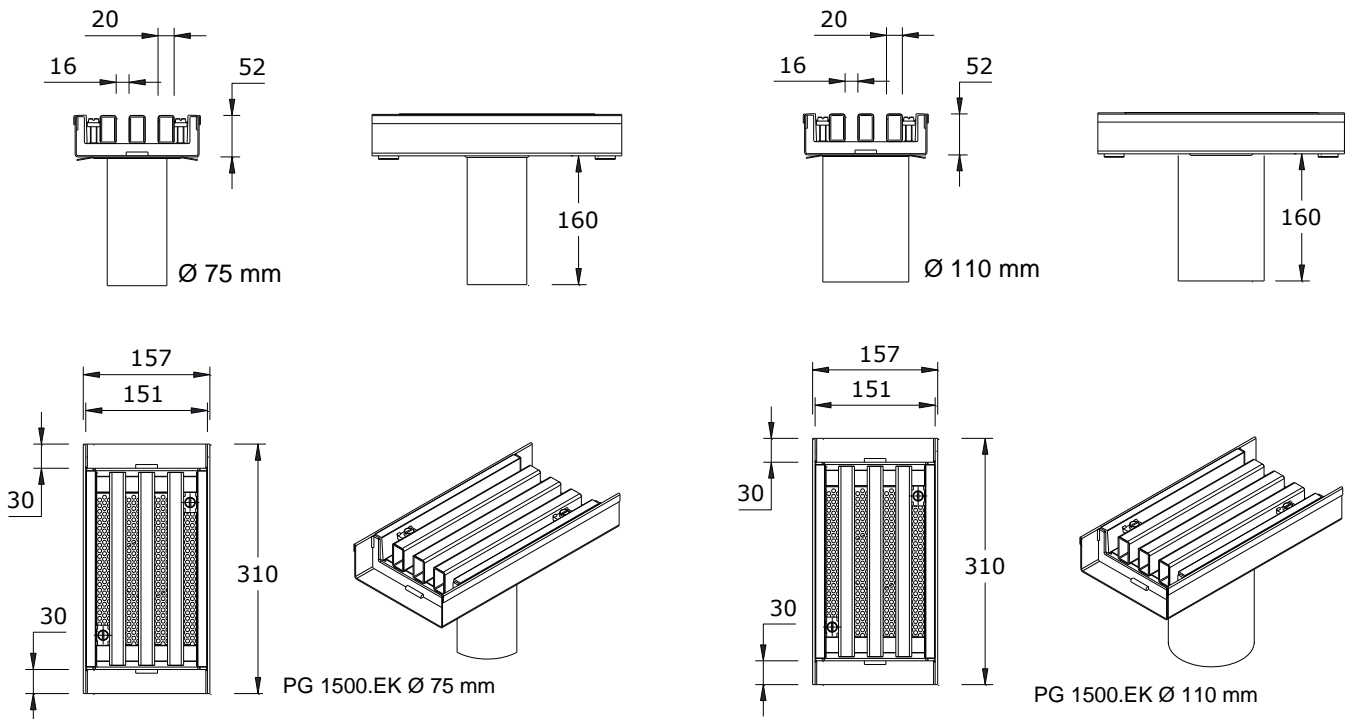
Monolithic flat polymer concrete channel with comb profile, without metal installation parts. Rattle-free since there are no loose parts. Slot widths according to EN 1433, pedestrian, wheelchair and bicycle friendly. Constructive width 150 mm. Drainage channel body without slope. Loading classes A 15 to C 250 according to EN 1433. Can be walked on and is accessible without additional cover. Load capacity according to specification, when installed according to the MEA installation information.



PG 1500.0

## FLAT CHANNEL BODY MEADRAIN PG 1500, LOADING CLASSES A 15 TO C 250

Description	Order No. 010...	Length [mm]	Constructive height [mm]	kg/piece
MEADRAIN PG 1500.0	155595	1000	50	11,40



## DRAINAGE ELEMENT FOR MEADRAIN PG 1500

Description	Order No. 010...	Length [mm]	Constructive height in mm	kg/piece
MEADRAIN PG 1500.EK Drain made of stainless steel V2A including cover and dirt filter, with pipe connection option Ø 110mm	155616	310	56	5,30
MEADRAIN PG 1500.EK Drain made of stainless steel V2A including cover and dirt filter, with pipe connection option Ø 75mm	155590	310	56	5,20

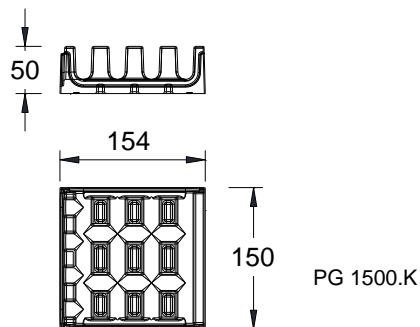
# MEADRAIN PG 1500

A 15, B 125, C 250

nominal width 150

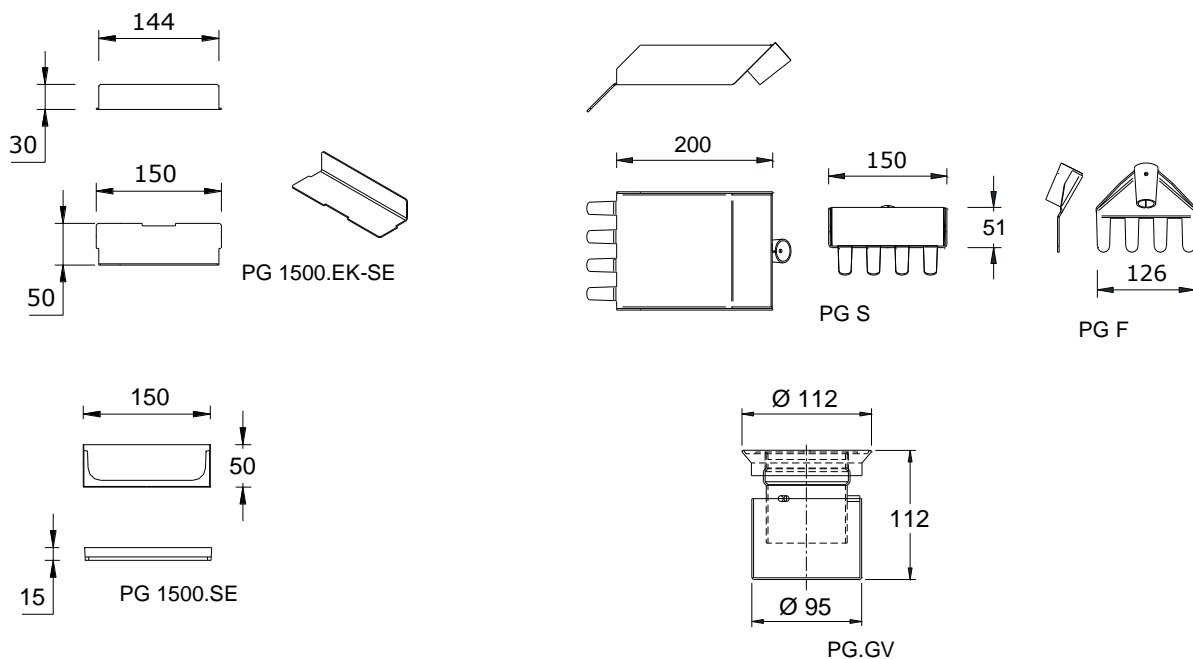


BUILDING SUCCESS



## CORNER ELEMENT FOR MEADRAIN PG 1500

Description	Order No. 010....	Material	kg/piece
MEADRAIN PG 1500.K Corner element to achieve 90° corner and T connections	155580	Casting galvanized	4,90



## END CAPS AND ACCESSORIES FOR MEADRAIN PG 1500

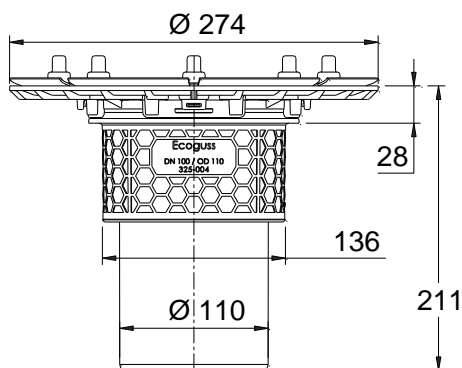
Description	Order No. 010....	Material	kg/piece
MEADRAIN PG 1500.SE End cap for the beginning and end of channels	155599	Polymer concrete	0,20
MEADRAIN PG 1500.EK-SE End cap for drain element MEADRAIN PG 1500.EK	155586	Stainless steel	0,10
MEADRAIN PG.GV Odour trap V2A. Suitable for PG 1500.EK drain element Ø 110 mm	141812	Stainless steel	0,45
MEADRAIN PG F Joint cleaner*	155596	Stainless steel	0,60
MEADRAIN PG S Joint cleaner shovel*	155594	Stainless steel	1,20

\* not suitable for MEADRAIN PG 1000

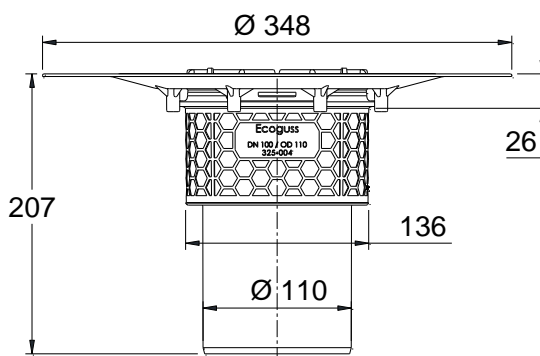
## SEALANTS AND PRIMERS FOR PG CAR PARK CHANNELS

Description	Order No. 010....	Material	kg/piece
SABA MS Floor sealant for multi-storey car park applications, 600 ml in a bag, stable	152708	MS polymer base	0,84
SABA MS Floor SL sealant for multi-storey car park applications, 600 ml in a bag, self-levelling	152710	MS polymer base I	0,84
SABA Joint Cleaner solvent 48,1 liter, cleaner for adhesive flanks	155807	-	0,81
SABA Primer 9102, 1 liter	155803	Silane basis	0,90

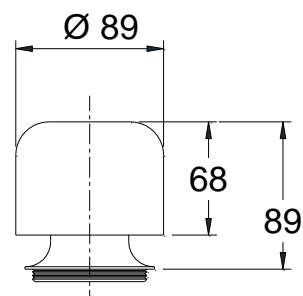
## MEA PG FLOOR/CEILING DRAINS



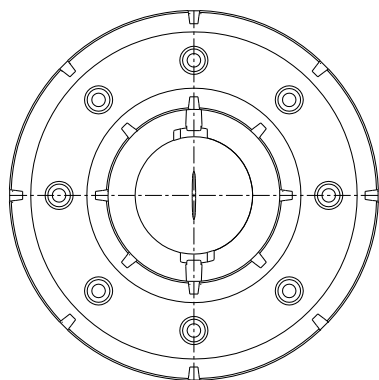
MEA PG COMPRESSION-SEALING FLANGE



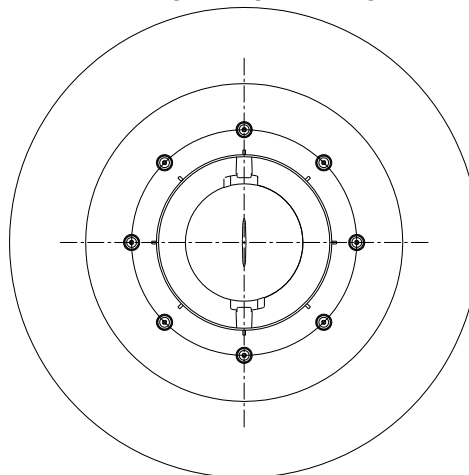
MEA PG ADHESIVE FLANGE



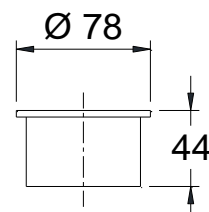
MEA PG.GV ODOUR TRAP



FLANGE DRAIN



FLANGE DRAIN



MEA PG FIRE KIT

Designation	Order No. 010...	Material	kg/item
<b>For installation with mastic asphalt:</b> MEA PG pressed gasket flange drain. Floor/ceiling drain eco die-cast, Outside-Ø 274 mm, incl. mortar barrier. Connection option for vertical drain Ø 110 mm. Optionally prepared for fire protection Fire-kit and/or odour trap.	141816	Eco die-cast, stainless steel	2,00
<b>For installation with OS coatings:</b> MEA PG adhesive flange drain. Floor/ceiling drain Ecoguss, Outside-Ø 348 mm, incl. mortar barrier. Connection option for vertical drain Ø 110 mm. Optionally prepared for fire protection Fire-kit and/or odour trap.	141818	Eco die-cast, plastic	1,20
MEA PG.GV odour trap suitable for floor/ceiling drains eco die-cast with pressure seal or adhesive flange, drain Ø 110 mm.	141820	Plastic	0,20
MEA PG Fire-Kit, suitable for floor/ceiling drains eco die-cast, drain Ø 110 mm. In conjunction with eco die-cast drains, fire resistance class R120 with DIBT approval Z-19.17-1719	141822	Plastic Stainless steel	0,20

This edition of the technical data sheet shall be valid from September 2020 until a revised version is published and replaces any previous publications. The respectively current version is available for download at [www.mea-group.com](http://www.mea-group.com).

MEA Bautechnik GmbH  
 Business Unit MEA Water Management  
 Sudetenstraße 1  
 86551 Aichach  
 Tel.: +49 (0) 82 51. 91 0  
 Fax: +49 (0) 82 51. 91 13 06  
 E-Mail: [info@mea-group.com](mailto:info@mea-group.com)  
[www.mea-group.com](http://www.mea-group.com)