

MATERIAL CHARACTERISTICS

POLYMER CONCRETE	on a Polyester resin basis, with mineral fillers, additives
COMPRESSIVE STRENGTH	≥ 90 N/mm ²
BENDING STRENGTH	≥ 22 N/mm ²
ELASTICITY MODULE	25,000 – 35,000 N/mm ²
DENSITY	2,1 – 2,3 kg/dm ³
COEFFICIENT OF LINEAR EXPANSION	Approx. 1.45 x 10 ⁻⁵ 1/K
HEAT RESISTANCE	100°C continuous load, up to 200°C with a load duration up to 5 min.
FROST RESISTANCE	- 50 °C
WATER PENETRATION LEVEL	0 mm
WATER ABSORPTION	< 0.05%
MATERIAL STRUCTURE	Capillary free

PURPOSE OF USE

Component for the line drainage of surfaces in order to collect, transport and discharge rain water from adjacent fixed surfaces.

DESIGN

- / Length 500 and 1000 mm
- / Length 1000 mm including formed-in drain socket
- / Constructive height 465mm

EDGE PROTECTION

- / Cast iron GG KTL coated

ACCESSORIES

- / Sediment bucket top part
- / Sediment bucket intermediate part
- / Sediment bucket short bottom part with integrated drain socket Ø 160mm
- / Sediment bucket short bottom part with integrated drain socket Ø 200mm
- / Sediment bucket short lower part with moulding for drains Ø 160 and 200mm, without DIBt approval
- / Sediment bucket deep lower part with moulding for drains Ø 160 and 200mm, without DIBt approval
- / Sludge bucket short for sediment bucket upper part with sediment bucket lower part
- / Sludge bucket long for sediment bucket upper part with gully intermediate part and sediment bucket lower part
- / End cap closed

* As of class D 400, not suitable for diagonal or lateral cross-travel in the area of express roads and motorways

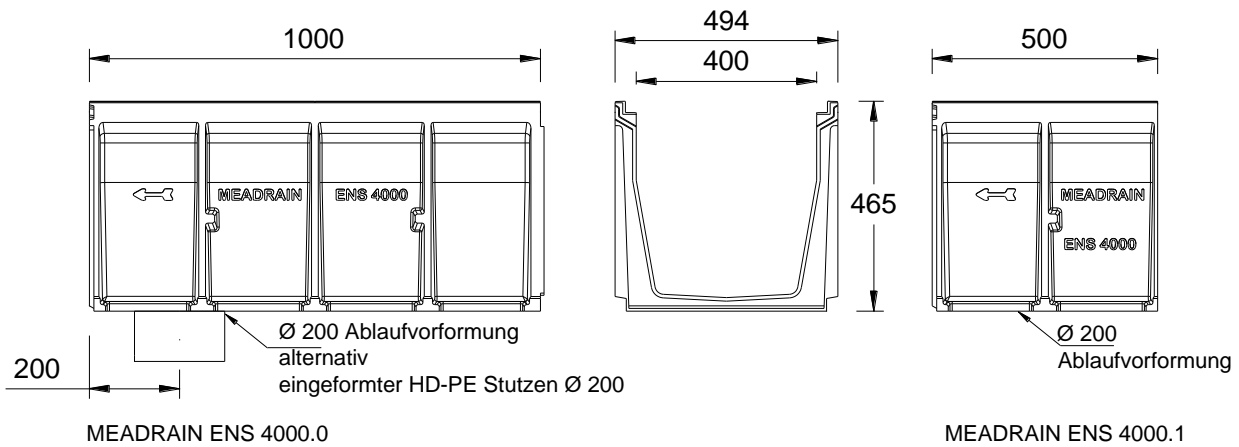
MEADRAIN ENS 4000

A 15, B 125, C 250, D 400*, E 600*, F 900* nominal width 400

POLYMER CONCRETE DRAINAGE CHANNEL MEADRAIN ENS 4000 WITH AN INTEGRATED CAST IRON FRAME AND SEALING JOINT ACCORDING TO EN 1433

GENERAL BUILDING AUTHORITY APPROVAL Z-74.4-28

Drainage channels made of polymer concrete. Clear width 400mm, constructive width 494mm. For the realization of water level slopes. Loading classes, A 15 to F 900* according to DIN EN 1433. Suitable for 4-way screwable drainage channel covers. Load capacity according to specification, when installed according to the MEA installation information.



DRAINAGE CHANNEL BODY MEADRAIN ENS 4000 WITHOUT SLOPE, LOADING CLASSES A 15 TO F 900*

Description	Order No. 010...	Length [mm]	Constructive height [mm]	kg/piece
MEADRAIN ENS 4000.0 ¹⁾	152001	1000	465	72,25
MEADRAIN ENS 4000.0/A ²⁾	152002	1000	465	68,00
MEADRAIN ENS 4000.1 ¹⁾	152003	500	465	35,00

* As of class D 400, not suitable for diagonal or lateral cross-travel in the area of express roads and motorways
 1) Connection option for vertical drain Ø 200 mm (drainage deformation) or to a sediment bucket
 2) Channel elements with tight formed-in drain socket Ø 200mm made of HD-PE with NBR-O sealing ring

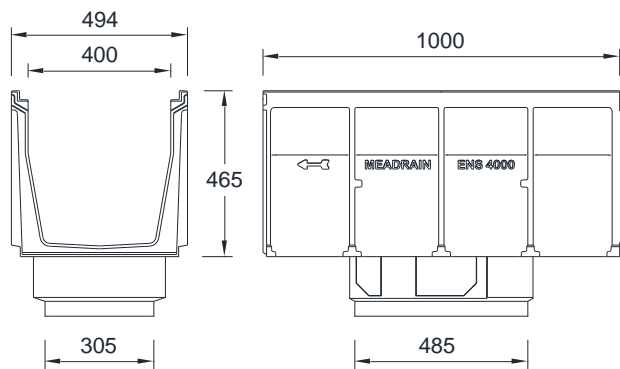
MEADRAIN ENS 4000

A 15, B 125, C 250, D 400*, E 600*, F 900*

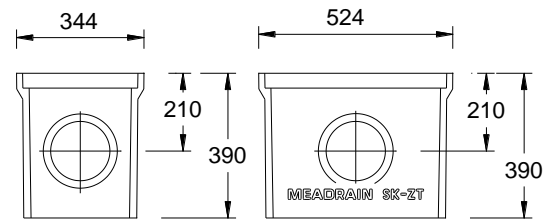
nominal width 400



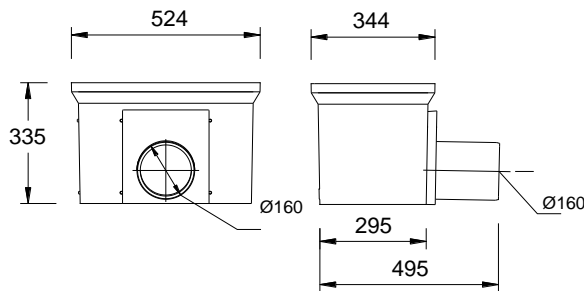
BUILDING SUCCESS



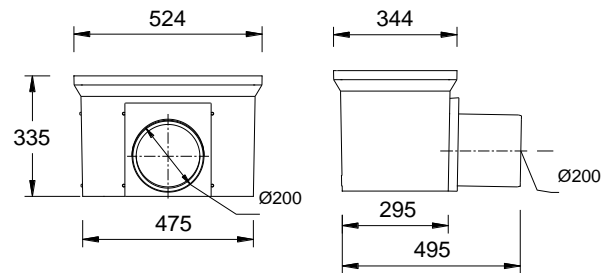
MEADRAIN ENS 4000 SK-OT



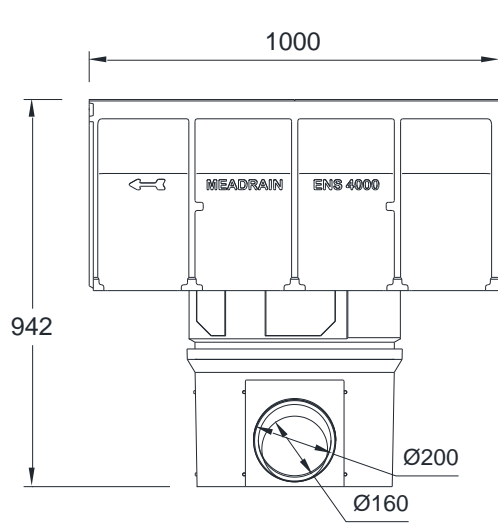
SK-ZT



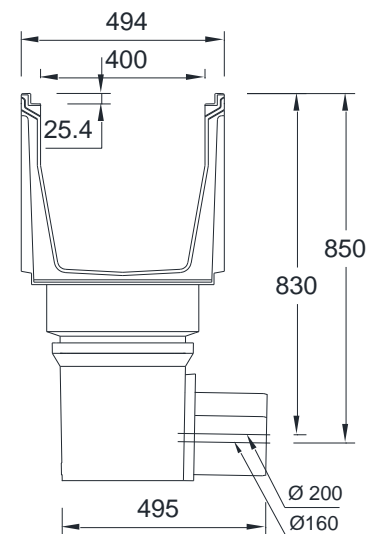
SK-UT Ø 160



SK-UT Ø 200



MEADRAIN ENS 4000 SK-OT+
SK-UT Ø160/200



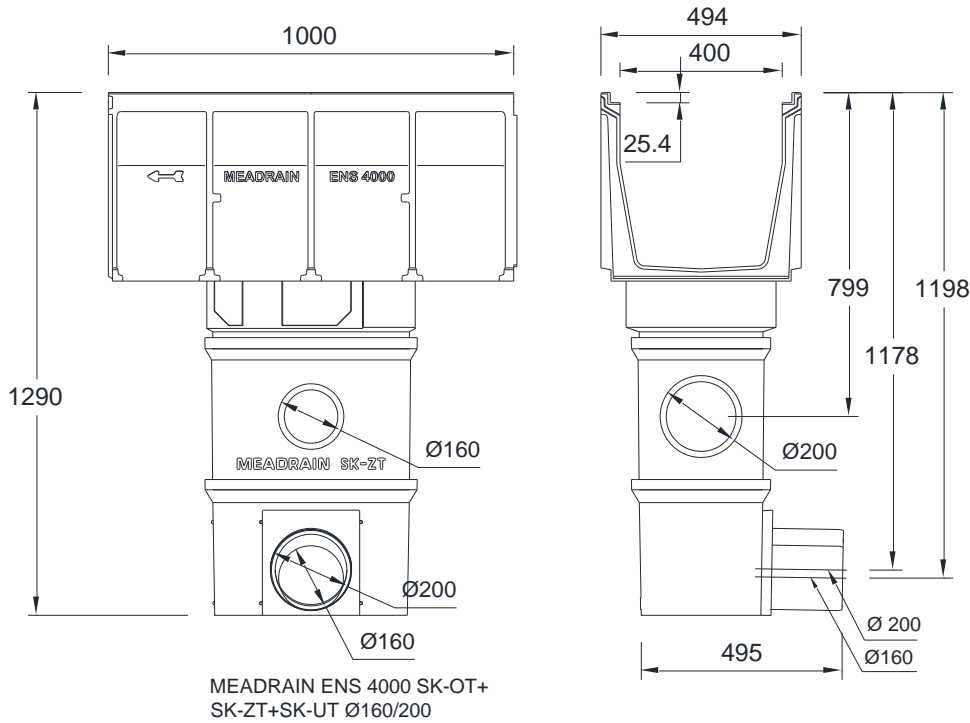
MEADRAIN ENS 4000

A 15, B 125, C 250, D 400*, E 600*, F 900*

nominal width 400



BUILDING SUCCESS



SEDIMENT BUCKET MADE OF POLYMER CONCRETE WITH INTEGRATED CAST IRON FRAME

Description	Order No. 010...	Length [mm]	Constructive height [mm]	kg/piece
MEADRAIN ENS 4000.SK-OT Sediment bucket top part	152009	1000	632	79,00
MEADRAIN SK-ZT intermediate part for overall build height extension	154709	524	390	22,00
MEADRAIN SK-UT short sediment bucket bottom part short with an integrated drain socket Ø 160mm	154726	524	350	25,16
MEADRAIN SK-UT short sediment bucket bottom part short with an integrated drain socket Ø 200mm	154728	524	350	25,70
MEADRAIN sediment bucket short for sediment bucket without intermediate part	154713	-	-	4,50
MEADRAIN sediment bucket long, for sediment bucket top part with intermediate part	154715	-	-	6,00
MEADRAIN SK-UT short sediment bucket short – version without DIBt approval with moulded insert for connection of drains Ø 160 / 200mm	154711	524	350	24,00
MEADRAIN SK-UT deep sediment bucket deep – version without DIBt approval with moulded insert for connection of drains Ø 160 / 200mm	154719	524	500	33,60

* As of class D 400, not suitable for diagonal or lateral cross-travel in the area of express roads and motorways

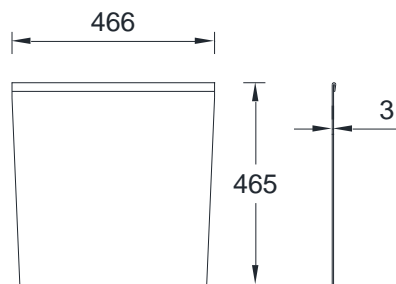
MEADRAIN ENS 4000

A 15, B 125, C 250, D 400*, E 600*, F 900*

nominal width 400



BUILDING SUCCESS



MEADRAIN ENS 4000 SE

END CAPS AND ACCESSORIES FOR MEADRAIN ENS 4000

Description	Order No. 010....	Material	kg/piece
MEADRAIN ENS 4000.SE End cap for the beginning and end of channels	152005	Galvanized steel	5,07

This edition of the technical data sheet shall be valid from September 2020 until a revised version is published and replaces any previous publications. The current version is available for download at www.mea-group.com.

MEA Bautechnik GmbH
 Business Unit MEA Water Management
 Sudetenstraße 1
 86551 Aichach
 Tel.: +49 (0) 82 51. 91 0
 Fax: +49 (0) 82 51. 91 13 06
 E-Mail: info@mea-group.com
www.mea-group.com