

MEADRAIN 1000 sediment bucket / point inlet

A 15, B 125, C 250, D 400*, E 600*, F 900* nominal width 100 / 300

MATERIAL CHARACTERISTICS

POLYMER CONCRETE	on a Polyester resin basis, with mineral fillers, additives
COMPRESSIVE STRENGTH	≥ 90 N/mm ²
BENDING STRENGTH	≥ 22 N/mm ²
ELASTICITY MODULE	25,000 – 35,000 N/mm ²
DENSITY	2,1 – 2,3 kg/dm ³
COEFFICIENT OF LINEAR EXPANSION	Approx. 1.45 x 10 ⁻⁵ 1/K
HEAT RESISTANCE	100°C continuous load, up to 200°C with a load duration up to 5 min.
FROST RESISTANCE	- 50 °C
WATER PENETRATION LEVEL	0 mm
WATER ABSORPTION	< 0.05%
MATERIAL STRUCTURE	Capillary free

PURPOSE OF USE

Component for the point drainage of surfaces in order to collect, transport and discharge rain water from adjacent fixed surfaces.

DESIGNS

/ Length 520 mm

EDGE PROTECTION

- / Cast iron
- / Edge thickness 7mm

ACCESSORIES

- / Sediment bucket short bottom part with connection piece Ø 160mm
- / Sediment bucket short bottom part with connection piece Ø 200mm
- / Sediment bucket deep lower part with mouldings for Ø 160mm and Ø 200mm
- / Sediment bucket intermediate part for a constructive height extension
- / Sludge bucket short (for sediment bucket consisting of Sediment bucket upper part and sediment bucket lower part)
- / Sludge bucket long (for sediment bucket consisting of Sludge bucket upper part with intermediate part and sediment bucket lower part)
- / Grates for point inlet

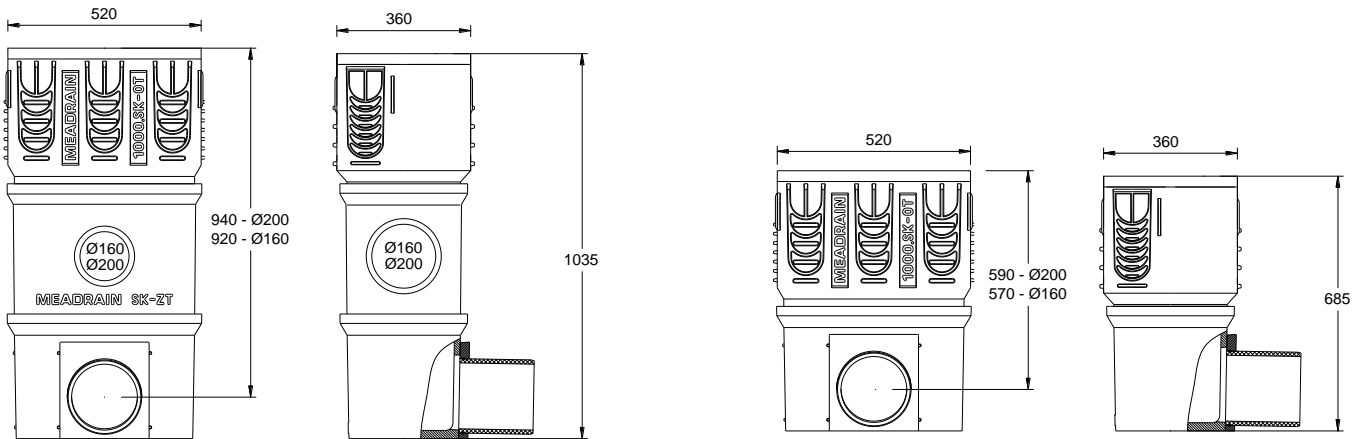
* As of class D 400, not suitable for diagonal or lateral cross-travel in the area of express roads and motorways

MEADRAIN 1000 sediment bucket / point inlet

A 15, B 125, C 250, D 400*, E 600*, F 900* nominal width 100 / 300

POINT INLET MADE OF POLYMER CONCRETE WITH 7 MM EDGE PROTECTION MADE OF CAST IRON

Point inlet made of polymer concrete with closed cast frame, suitable for MEADRAIN TOP 3000 drainage channel covers, constructive width 322 mm with PROFIX quick-release fastener, with longitudinal slide protection. Also usable as a sediment bucket for the channel system MEADRAIN EN 1000. Load capacity according to specification, when installed according to the MEA installation information.



SK-OT + SK-ZT + SK-UT

SK-OT + SK-UT

POINT INLET MEADRAIN EN 1000 MADE OF POLYMER CONCRETE – ALSO USABLE AS A SEDIMENT BUCKET FOR THE CHANNEL SYSTEM MEADRAIN EN 1000

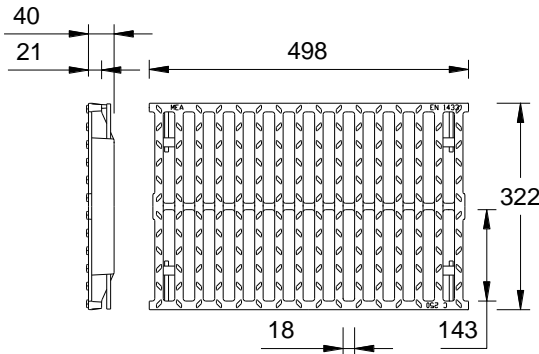
Description	Order No. 010...	Length [mm]	Constructive height [mm]	kg/piece
SK-OT EN 1000 Upper part with integrated cast iron frame	154707	520	390	43,85
SK-ZT Intermediate part for a constructive height extension	154709	524	375	22,00
SK-UT short Bottom part short with integrated drain socket Ø 160mm	154726	524	335	25,16
SK-UT short Bottom part short with integrated drain socket Ø 200mm	154728	524	335	25,70
Sediment bucket short	154713	390	320	4,50
Sediment bucket long	154715	390	580	6,00
SK-UT short Version without DIBT approval with mouldings for Drains Ø 160mm and Ø 200mm	154711	524	335	24,00
SK-UT deep Version without DIBT approval with mouldings for Drains Ø 160mm and Ø 200mm	154719	524	485	33,60

* As of class D 400, not suitable for diagonal or lateral cross-travel in the area of express roads and motorways

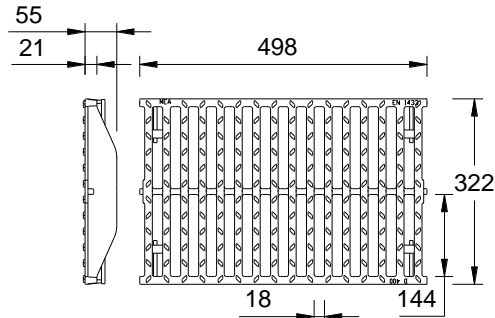
MEADRAIN 1000 sediment bucket / point inlet

A 15, B 125, C 250, D 400*, E 600*, F 900* nominal width 100 / 300

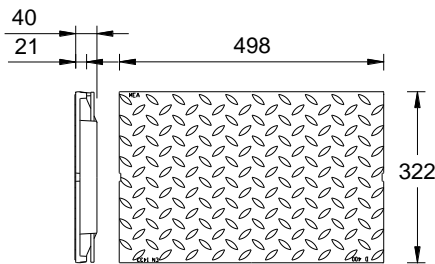
BUILDING SUCCESS



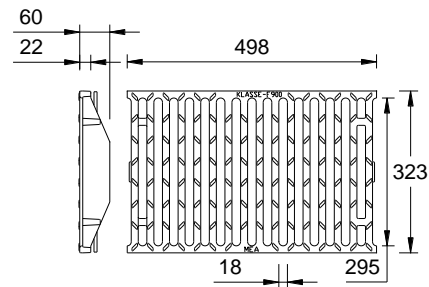
010153585



010153589



010153587



010154855

GRATING COVER FOR POINT INLET MEADRAIN EN 1000, LOADING CLASS C 250 TO F 900 WITH PROFIX QUICK-RELEASE FASTENER

Description	Order No. 010...	Material	In-feed Ø cm ² /m	Length [mm]	kg/piece
Cast iron slotted grating 18/143 Loading class to C 250	153585	Die-cast GGG	1640	500	14,50
Cast iron cover closed Loading class D 400	153587	Die-cast GGG	-	500	18,50
Cast iron slotted grating 18/143 Loading class D 400	153589	Die-cast GGG	1640	500	18,50
Cast iron slotted grating 17/295 Loading class F 900	154855	Die-cast GGG	1564	500	25,54

GRID HOOK

Description	Order No. 010...	Material	kg/piece
Grid hook	152115	Galvanized steel	1,00

The surface coating of castings only has a temporary, cosmetic function. Cast iron is virtually impervious to environmental influences through surface oxidation (e.g. thawing salt). Superficial rust does not constitute a product defect. It goes without saying that even the absence of surface coating complies with the relevant standards.

This edition of the technical data sheet shall be valid from September 2020 until a revised version is published and replaces any previous publications. The current version is available for download at www.mea-group.com.

MEA Bautechnik GmbH
 Business Unit MEA Water Management
 Sudetenstraße 1
 86551 Aichach
 Tel.: +49 (0) 82 51. 91 0
 Fax: +49 (0) 82 51. 91 13 06
 E-Mail: info@mea-group.com
www.mea-group.com