

MATERIAL CHARACTERISTICS

FIBERGLASS COMPOSITE	glass-fibre-reinforced polyester, mineral fillers, additives
TENSILE STRENGTH	65 N/mm ² (ISO 527)
BENDING STRENGTH	120 N/mm ² (ISO 14125)
ELASTICITY MODULE	10.000 N/mm ² (ISO 14125)
DENSITY	2,0 g/cm ³ (ISO 1172)
COEFFICIENT OF LINEAR EXPANSION	1,5 - 2,0 x 10 ⁻⁵ 1/K
HEAT RESISTANCE	100°C continuous load, up to 240°C with a load duration up to 110 min.
FROST RESISTANCE	-35°C
WATER ABSORPTION	<0,1% (ISO R178)

PURPOSE OF USE

Component for the line drainage of surfaces in order to collect, transport and discharge rain water from adjacent fixed surfaces.

DESIGNS

- / Length 1000 mm
- / Length 500 mm
- / Length 500 mm as a change of flow direction

EDGE PROTECTION

- / Glass-fibre-reinforced composite

ACCESSORIES

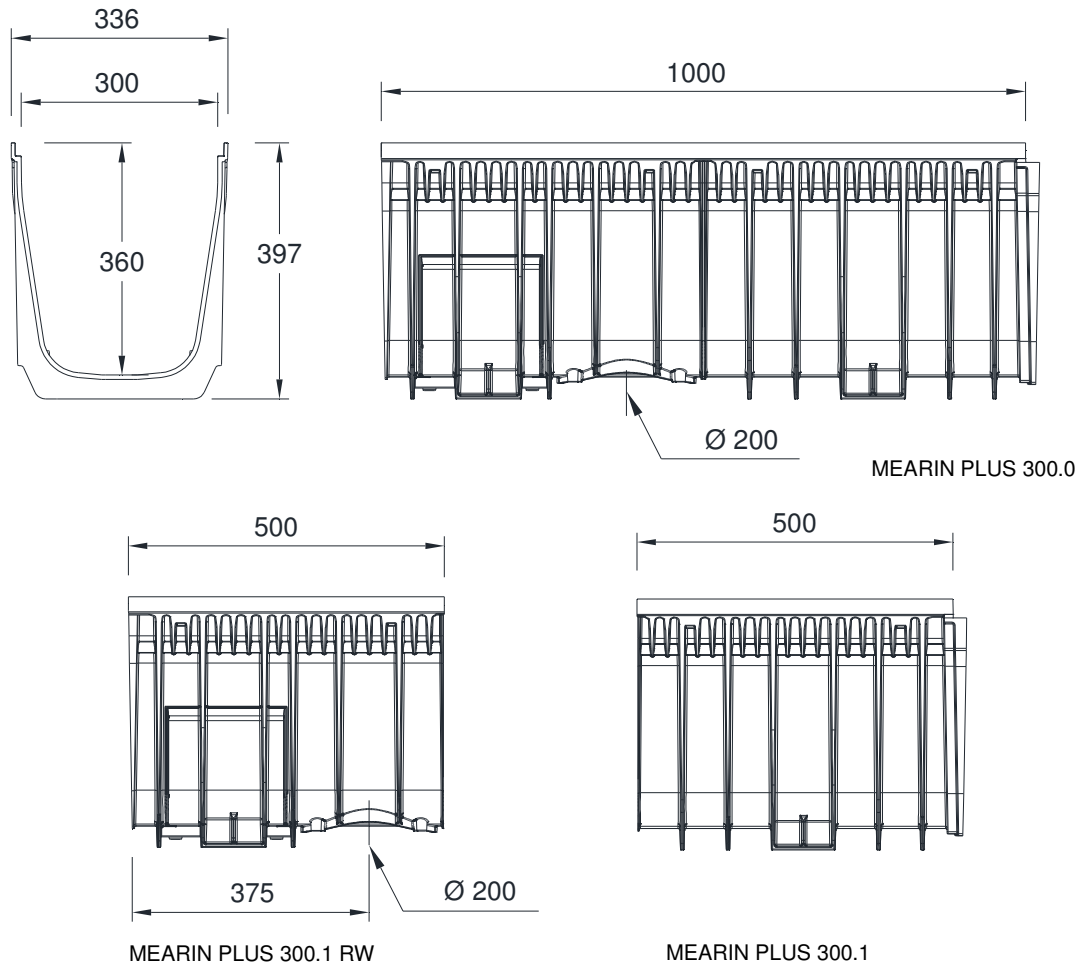
- / Sediment bucket top part
- / Sediment bucket intermediate part
- / Sediment bucket bottom part short
- / Sediment bucket bottom part deep
- / Sediment bucket for sludge bucket bottom part short
- / Sediment bucket for sludge bucket bottom part deep
- / End cap closed with preforming for
Ø 200mm pipe connection
- End cap for the lateral connection with connection
piece Ø 200 mm
- / Adapter for lateral channel connection (corner, T
and cross connections)
- / Vertical drain socket Ø 200mm
- / Odour trap including dirt filter and dirt trap

* As of class D 400, not suitable for diagonal or lateral cross-travel in the area of express roads and motorways

MEARIN PLUS 300 DRAINAGE CHANNELS

WITH A GLASS-FIBRE COMPOSITE EDGE AND SEALING JOINT ACCORDING TO EN 1433

Drainage channel made of fiberglass composite material. Clear width 300mm, constructive width 336mm. For the realization of water level slopes. Loading class A 15 to D 400* according to EN 1433. Suitable for drainage channel covers MEARIN PLUS/EXPERT 300 with STARFIX quick-release fastener. Load capacity according to specification, when installed according to the MEA installation information.



DRAINAGE CHANNEL BODY MEARIN PLUS 300, LOADING CLASSES A 15 TO D 400*

Description	Order No. 010...	Length in mm	Constructive height in mm	kg per piece
MEARIN PLUS 300.0 ^{1) 2)} Channel	140400	1000	397	11,80
MEARIN PLUS 300.1 ²⁾ Channel	140402	500	397	5,90
MEARIN PLUS 300.1RW ^{1) 2) 3)} Channel	140404	500	397	5,90

* As of class D 400, not suitable for diagonal or lateral cross-travel in the area of express roads and motorways

- 1) Connection option for the vertical discharge Ø 200mm; End cap with side connecting piece, Ø 200mm; Channel laterally to corner, t and cross connections
- 2) Connection option for inlet box, connectors Ø 160mm and 200mm; End cap with connecting piece horizontal, Ø 200mm
- 3) Utilization option as a flow direction change

MEARIN PLUS 300

A 15, B 125, C 250, D 400*

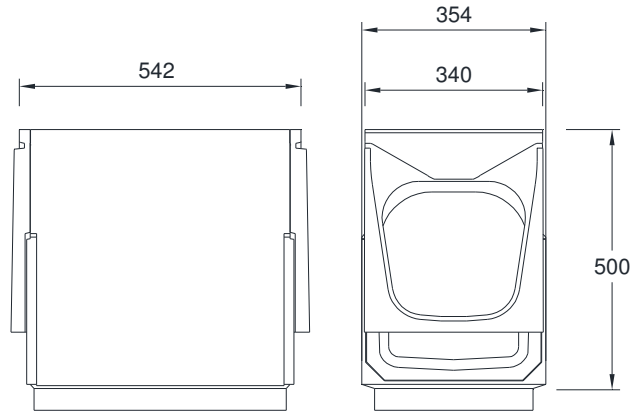
nominal width



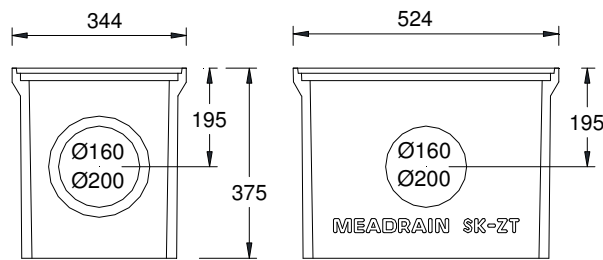
BUILDING SUCCESS

MEARIN PLUS 300 SEDIMENT BUCKET

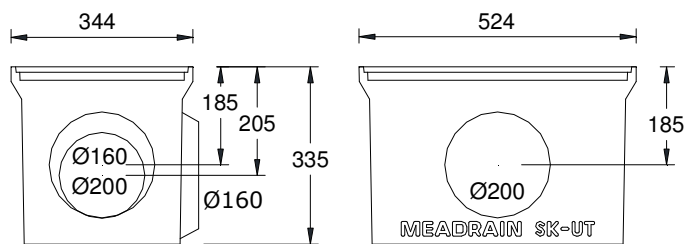
Sediment bucket upper, intermediate and lower part made of polymer concrete, with moulded on channel adapter MEARIN PLUS/EXPERT 300. Clear width 300mm. Suitable for drainage channel covers MEARIN PLUS/EXPERT 300 with STARFIX quick-release fastener. Load capacity according to specification, when installed according to the MEA installation information.



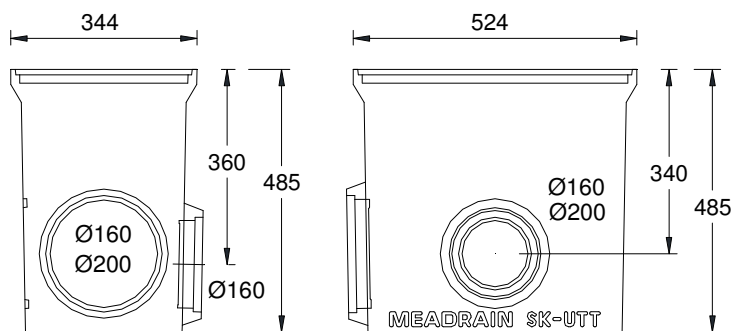
MEARIN PLUS 300.SK-OT



SK-ZT



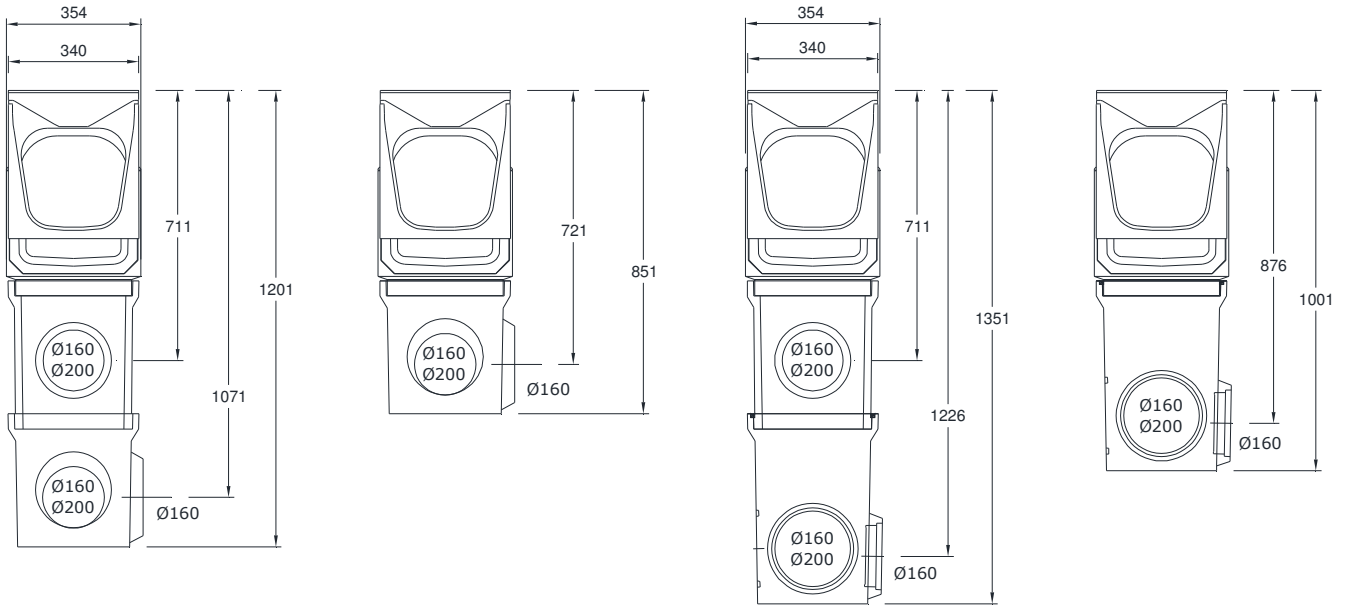
SK-UT-short



SK-UT-deep

MEARIN PLUS 300 SEDIMENT BUCKET

Sediment bucket upper, intermediate and lower part made of polymer concrete, with moulded on channel adapter MEARIN PLUS/EXPERT 300. Clear width 300mm. Suitable for drainage channel covers MEARIN Plus/Expert 300 with STARFIX quick-release fastener. Load capacity according to specification, when installed according to the MEA installation information.



MEARIN PLUS 300.SK-OT+
SK-ZT + SK-UT-short

MEARIN PLUS 300.SK-OT +
SK-UT-short

MEARIN PLUS 300.SK-OT +
SK-ZT + SK-UT-deep

MEARIN PLUS 300.SK-OT +
SK-UT-deep

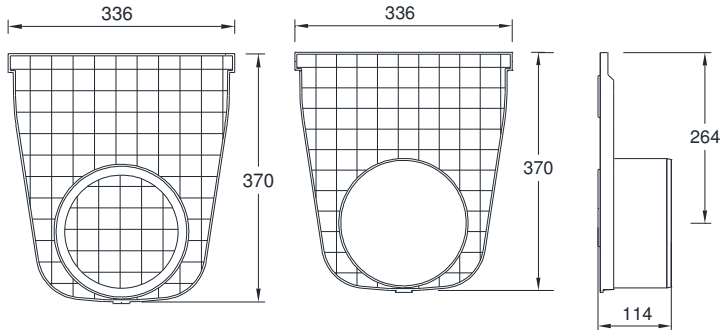
SEDIMENT BUCKET TOP PART MADE OF POLYMER CONCRETE FOR MEARIN PLUS 300

Description	Order No. 010...	Length in mm	Constructive height in mm	kg per piece
MEARIN PLUS 300 SK-OT sediment bucket top part made of polymer concrete with an edge made of glass-fibre-reinforced composite	140442	500	540	43,80

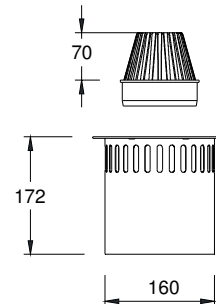
SEDIMENT BUCKET INTERMEDIATE AND BOTTOM PART, SLUDGE BUCKET FOR MEARIN PLUS 300

Description	Order No. 010...	Length in mm	Constructive height mm	kg per piece
SK-ZT sediment bucket intermediate part made of polymer concrete for a constructive height extension	154709	524	375	22,00
SK-UT- short sediment bucket bottom part short made of polymer concrete with moulded inserts for drains Ø 160 mm and Ø 200mm	154711	524	335	24,00
SK-UT- deep sediment bucket bottom part deep made of polymer concrete with moulded inserts for drains Ø 160mm and Ø 200mm	154719	524	485	33,60
Sediment bucket galvanized short for sediment bucket, consisting of SK-OT and SK-UT	154713	-	-	4,50
Sediment bucket galvanized long for sediment bucket consisting of SK-OT, SK-ZT and SK-UT	154715	-	-	6,00

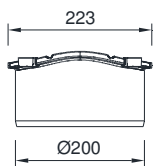
* As of class D 400, not suitable for diagonal or lateral cross-travel in the area of express roads and motorways



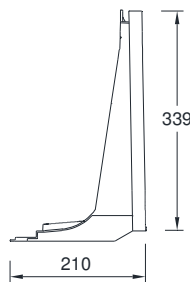
MEARIN 300 End cap closed,
with preforming for Ø 200mm pipe connection



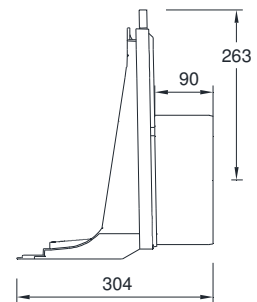
MEARIN 300 Odour trap



MEARIN 300 Vertical outlet
connection Ø 200mm



MEARIN 300 Adapter for the
lateral channel connection



MEARIN 300 End cap for
the lateral connection to
channel

END CAPS AND CONNECTION ACCESSORIES FOR MEARIN PLUS 300

Description	Order No. 010...	Material	kg per piece
MEARIN PLUS/EXPERT 300 End cap closed for channel beginning and end with preforming for Ø 200mm pipe connection	140424	PP	0,69
MEARIN PLUS/EXPERT 300 End cap with connection piece Ø 200mm for the lateral pipe connection to the channel	140426	PP	0,94
MEARIN PLUS/EXPERT 300 adapter for the lateral channel connection to corner, t and cross connections	140428	PP	0,29
MEARIN Plus/Expert 300 Vertical outlet connection Ø 200mm	140430	PP	0,38
MEARIN PLUS/EXPERT 300 Odour trap with dirt filter and dirt trap	140436	Steel galvanized +PP	2,50

MEA Bautechnik GmbH
Business Unit MEA Water Management
Sudetenstraße 1
86551 Aichach
Tel.: +49 (0) 82 51. 91 0
Fax: +49 (0) 82 51. 91 13 06
E-Mail: info@mea-group.com
www.mea-group.com