

MATERIAL CHARACTERISTICS

POLYMER CONCRETE	on a Polyester resin basis, with mineral fillers, additives
COMPRESSIVE STRENGTH	≥ 90 N/mm ²
BENDING STRENGTH	≥ 22 N/mm ²
ELASTICITY MODULE	25,000 – 35,000 N/mm ²
DENSITY	2,1 – 2,3 kg/dm ³
COEFFICIENT OF LINEAR EXPANSION	Approx. 1.45 x 10 ⁻⁵ 1/K
HEAT RESISTANCE	100°C continuous load, up to 200°C with a load duration up to 5 min.
FROST RESISTANCE	- 50 °C
WATER PENETRATION LEVEL	0 mm
WATER ABSORPTION	< 0,05% DIN 52 103 (A)
MATERIAL STRUCTURE	Capillary free

PURPOSE OF USE

Component for the line drainage of surfaces in order to collect, transport and discharge rainwater from adjacent fixed surfaces.

DESIGN

- / Length 500 and 1000 mm
- / Length 1000 mm including formed-in drain socket
- / Constructive height 280, 330 and 380 mm
- / Special constructive heights 100 and 220 mm
- / Drainage channel body as a connection piece for a stepped fall

EDGE PROTECTION

- / Cast iron GG KTL coated

ACCESSORIES

- / Sediment bucket top part for all constructive heights
- / Sediment bucket top part for constructive height 220mm
- / Sediment bucket intermediate part
- / Sediment bucket short bottom part with integrated drain socket Ø 160mm
- / Sediment bucket short bottom part with integrated drain socket Ø 200mm
- / Sediment bucket short lower part with moulding for drains Ø 160 and 200mm, without DIBt approval
- / Sediment bucket deep lower part with moulding for drains Ø 160 and 200mm, without DIBt approval
- / sediment bucket
- / End cap closed special constructive height 100 mm
- / End cap closed for all constructive heights incl. special constructive height 220 mm
- / End cap with connection piece Ø 160mm for special constructive height 220mm
- / End caps with connection piece Ø 160mm, for constructive heights 280, 330 and 380 mm
- / Transition element for connecting channels with a special construction height 220 mm with channels in a construction height of 280 mm
- / Direction change for strand high point for all constructive heights

** Not suitable for the diagonal or transverse travel of motorways and highways.

MEADRAIN ENF and EN 2000

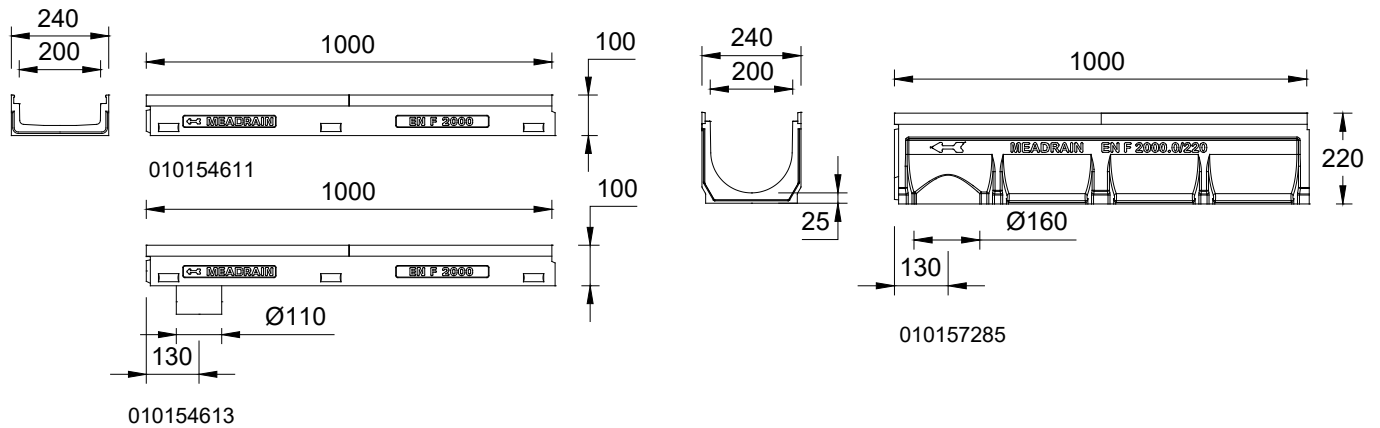
A 15, B 125, C 250, D 400**, E 600**, F 900**

nominal width 200

MEADRAIN ENF 2000 DRAINAGE CHANNEL

WITH AN INTEGRATED DUCTILE IRON FRAME AND SEALING JOINT ACCORDING TO EN 1433

Clear width of the channel body 200 mm, total width 240 mm. Suitable for channel covers **MEA 200 PROFIX**, **MEA 200 4-fold bolted** and **MEA TSH 200 TOPSLOT**. For the realization of water level slopes. Loading classes, A 15 to F 900** according to EN 1433. General Building Authority Approval Z - 74.4 - 28



MEADRAIN ENF 2000 DRAINAGE CHANNEL BODY WITHOUT FALL, LOADING CLASS F 900** ACCORDING TO EN 1433

Designation	Ord. No	Length [mm]	Height [mm]	kg/unit
MEADRAIN ENF 2000.0 Drainage channel body ¹⁾	010154611	1000	100	19,60
MEADRAIN ENF 2000.0/A Drainage channel body with connector Ø 110 mm ⁸⁾	010154613	1000	100	20,10
MEADRAIN ENF 2000.1 Drainage channel body	010154615	500	100	9,80
MEADRAIN ENF 2000.0/220 Drainage channel body ⁵⁾	010157285	1000	220	27,00

** Not suitable for the diagonal or transverse travel of motorways and highways.

1) Connection option for vertical drain Ø 110 mm

5) Connection option for vertical drain Ø 160 mm (drainage deformation), end caps with connector or to gullies/shit boxes.

8) With tight formed-in drain socket Ø 110mm

MEADRAIN ENF and EN 2000

A 15, B 125, C 250, D 400**, E 600**, F 900** nominal width 200

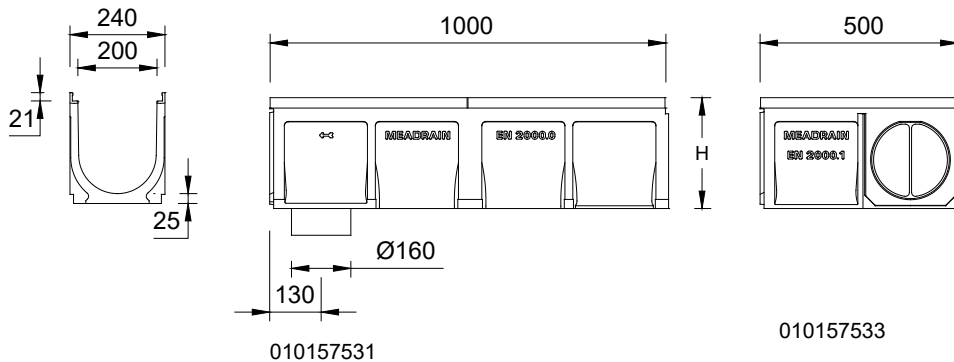
MEADRAIN EN 2000 DRAINAGE CHANNEL

WITH AN INTEGRATED DUCTILE IRON FRAME AND SEALING JOINT ACCORDING TO EN 1433

Clear width of the channel body 200 mm, total width 240 mm. Suitable for channel covers MEA EN 200 PROFIX, MEA EN 200 4-fold bolted and MEA TSH 200 TOPSLOT. For the realization of water level slopes or stepped falls. Loading classes, A 15 to F 900** according to EN 1433. Load capacity according to specification, when installed according to the MEA installation instructions. General Building Authority Approval Z - 74.4 – 28

MEADRAIN EN 2000 COMPLETE CHANNEL, LOADING CLASS D 400** ACCORDING TO EN 1433

Designation	Ord. No	Length [mm]	Height [mm]	kg/unit
MEADRAIN EN 2000 complete channel with Ductile iron slotted grating-D 400-bolt fixing required	010712726	1000	280	53,00



MEADRAIN EN 2000 DRAINAGE CHANNEL BODY WITHOUT FALL, LOADING CLASS F 900** ACCORDING TO EN 1433

Designation	Ord. No	Length [mm]	Height [mm]	kg/unit
MEADRAIN EN 2000.0 Drainage channel body ⁵⁾	010157531	1000	280	36,35
MEADRAIN EN 2000.0/A Drainage channel with tight formed-in flanged drain socket Ø 160 mm ⁹⁾	010157532	1000	280	35,45
MEADRAIN EN 2000.1 Drainage channel body ^{5) 14)}	010157533	500	280	18,25
MEADRAIN EN 2010.0 Drainage channel body ⁵⁾	010157535	1000	330	41,22
MEADRAIN EN 2010.1 Drainage channel body ^{5) 14)}	010157537	500	330	21,00
MEADRAIN EN 2020.0 Drainage channel body ⁵⁾	010157539	1000	380	47,50
MEADRAIN EN 2020.1 Drainage channel body ^{5) 14)}	010157541	500	380	23,50
MEADRAIN EN 2020.1RW/A Drainage channel with tight formed-in flanged drain socket Ø 160 mm ^{9) 14) 15)}	010157543	500	380	22,00

** Not suitable for the diagonal or transverse travel of motorways and highways.

5) Connection option for vertical drain Ø 160 mm (drainage deformation), end caps with connector or to gullies/shit boxes.

9) Channel elements with tight formed-in drain socket Ø 160 mm

14) Connection option for corner-, t- and cross- connections.

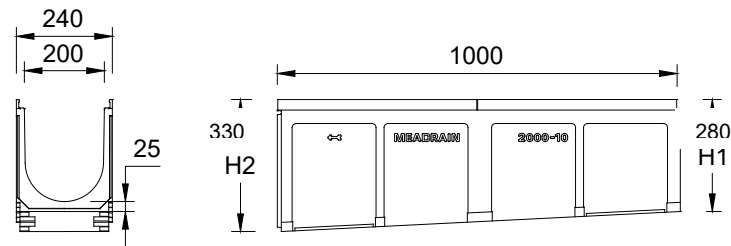
15) Utilization option as a flow direction change.

MEADRAIN ENF and EN 2000

A 15, B 125, C 250, D 400**, E 600**, F 900**

nominal width 200

MEADRAIN EN 2000 DRAINAGE CHANNEL BODY AS CONNECTING PIECES



010157545

MEADRAIN EN 2000 DRAINAGE CHANNEL BODY AS CONNECTING PIECES, FOR THE REALIZATION OF STEPPED FALLS, LOADING CLASS F 900** ACCORDING TO EN 1433

Designation	Ord. No.	Length [mm]	Height [mm]	kg/unit
MEADRAIN EN 2000-10 channel for steep slope with 5% slope	010157545	1000	280-330	39,00
MEADRAIN EN 2010-20 channel for steep slope with 5% slope	010157547	1000	330-380	43,48

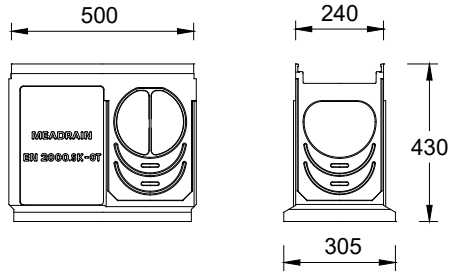
** Not suitable for the diagonal or transverse travel of motorways and highways.

MEADRAIN ENF and EN 2000

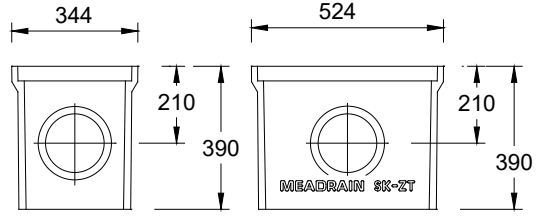
A 15, B 125, C 250, D 400**, E 600**, F 900**

nominal width 200

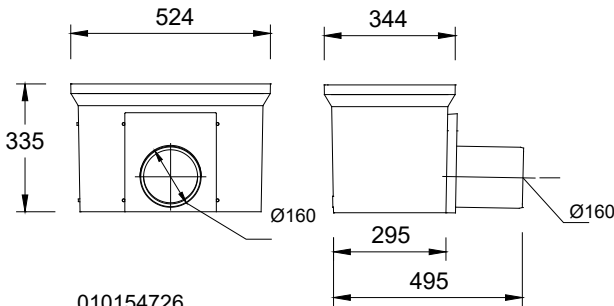
MEADRAIN EN AND ENF 2000 ACCESSORIES



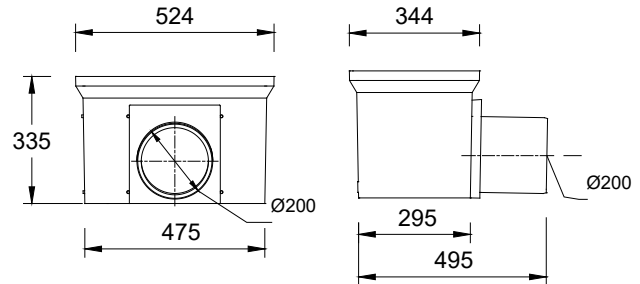
010157549



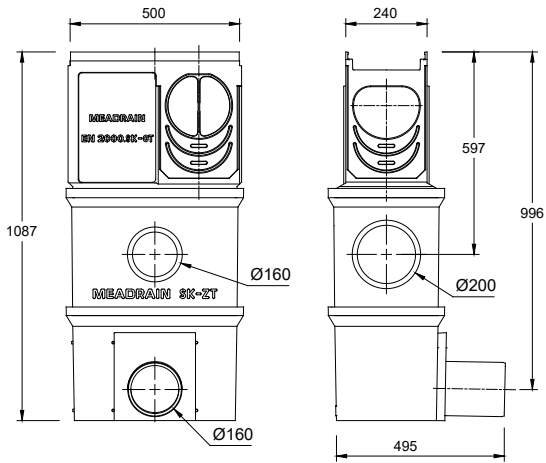
010154709



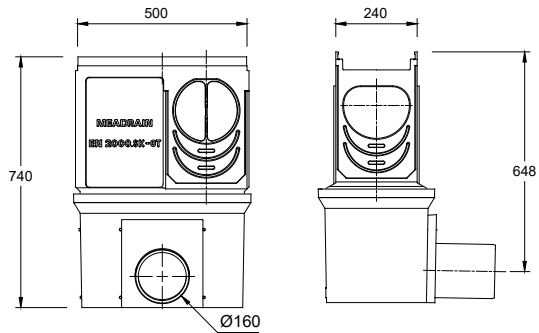
010154726



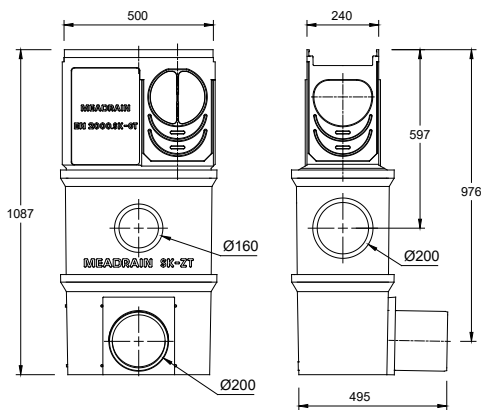
010154728



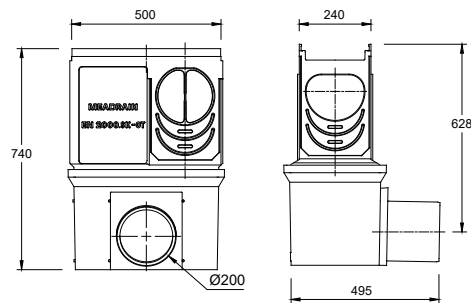
010157549 + 010154709 + 010154726



010157549 + 010154726



010157549 + 010154728



010157549 + 010154728

** Not suitable for the diagonal or transverse travel of motorways and highways.

MEADRAIN ENF and EN 2000

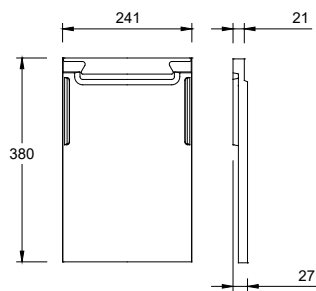
A 15, B 125, C 250, D 400**, E 600**, F 900** nominal width 200

MEADRAIN EN AND ENF 2000 ACCESSORIES

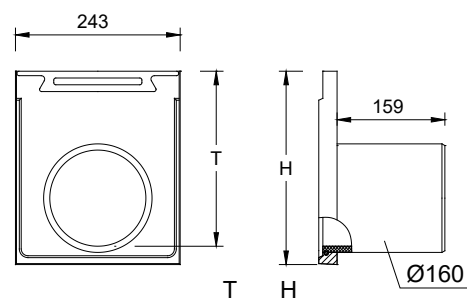
MEADRAIN EN 2000 GULLIES**

Designation	Ord. No.	Length [mm]	Height [mm]	kg/unit
MEADRAIN EN 2000 SK-OT Gully upper part open on both sides for low constructive height	010157549	500	430	25,52
MEA SK-ZT gully intermediate part made of polymer concrete for a height extension	010154709	524	375	22,00
MEA SK-UT short Gully lower part, with integrated drain socket Ø 160 mm	010154726	524	335	25,16
MEA SK-UT short Gully lower part, with integrated drain socket Ø 200 mm	010154728	524	335	27,00
MEADRAIN 2000 Sediment bucket for gully	010154717	-	-	3,89

MEADRAIN ENF AND EN 2000 END CAPS



010154617



010153553

MEADRAIN ENF AND EN 2000 END CAPS

Designation	Ord. No.	Material	kg/unit
MEADRAIN ENF 2000.SE End cap for channel start/end	010154617	Polymer concrete	1,18
MEADRAIN ENF 2000.0/220.E with HD-PE connector Ø 160 mm for channel end, suitable for channel EN 2000.0/220	010157287	Polymer concrete	3,30
MEADRAIN EN 2000.SE End cap for the beginning and end of the channel, suitable for all heights	010153551	Polymer concrete	3,10
MEADRAIN EN 2000.E End cap for the end of the channel with HD-PE connector Ø 160 mm, suitable for channel EN 2000	010153553	Polymer concrete	3,30
MEADRAIN EN 2010.E End cap for the end of the channel with HD-PE connector Ø 160 mm, suitable for channel EN 2010	010153555	Polymer concrete	4,00
MEADRAIN EN 2020.E End cap for the end of the channel with HD-PE connector Ø 160 mm, suitable for channel EN 2020	010153557	Polymer concrete	4,50
MEADRAIN EN 2000. RWH for changing the direction of flow - strand peak for all channels	010153559	Polymer concrete	5,50

** Not suitable for the diagonal or transverse travel of motorways and highways.

MEADRAIN ENF and EN 2000

A 15, B 125, C 250, D 400**, E 600**, F 900** nominal width 200

**BUILDING SUCCESS****MEADRAIN EN AND ENF 2000 ACCESSORIES****JOINTING COMPOUNDS FOR STANDARD APPLICATIONS*****

Designation	Ord. No.	Material	kg/unit
SABA MS Floor GREY sealant 600 ml in a bag, stable	010152708	MS Polymer basis	0,88
SABA Primer 9102 for undercoat, 1 litre	010155803	Silane basis	0,92
Joint Cleaner solvent 48, 1 litre, Cleaner for adhesive flanks	010155807	-	0,84
Dispensing gun for 600 ml bags	010152707	-	0,63

** Not suitable for the diagonal or transverse travel of motorways and highways.

*** For watertight mounting of drainage channels (only for channels transporting rainwater). Not suitable for installation in LAU facilities, gas stations or similar constructions

This edition of the technical data sheet shall be valid from September 2021 until a revised version is published and replaces any previous publications. The respectively current version is available for download at www.mea-group.com.

MEA Bautechnik GmbH
 Business unit MEA Water Management
 Sudetenstraße 1
 86551 Aichach
 Tel.: +49 (0) 82 51. 91 0
 Fax: +49 (0) 82 51. 91 13 06
 E-Mail: info@mea-group.com
www.mea-group.com