

MATERIAL CHARACTERISTICS

| | |
|--|--|
| POLYMER CONCRETE | on a Polyester resin basis, with mineral fillers, additives |
| COMPRESSIVE STRENGTH | ≥ 90 N/mm ² |
| BENDING STRENGTH | ≥ 22 N/mm ² |
| ELASTICITY MODULE | 25,000 – 35,000 N/mm ² |
| DENSITY | 2,1 – 2,3 kg/dm ³ |
| COEFFICIENT OF LINEAR EXPANSION | Approx. 1.45 x 10 ⁻⁵ 1/K |
| HEAT RESISTANCE | 100°C continuous load, up to 200°C with a load duration up to 5 min. |
| FROST RESISTANCE | - 50 °C |
| WATER PENETRATION LEVEL | 0 mm |
| WATER ABSORPTION | < 0,05% DIN 52 103 (A) |
| MATERIAL STRUCTURE | Capillary free |

PURPOSE OF USE

Component for the line drainage of surfaces in order to collect, transport and discharge rainwater from adjacent fixed surfaces.

DESIGN

- / Length 500 and 1000 mm
- / Length 1000 mm including formed-in drain socket
- / Constructive height
150, 175, 200, 225, 250 and 305 mm
- / Sloped channels up to 20, constructive height 150 - 250 mm

EDGE PROTECTION

- / Cast iron GG KTL coated

ACCESSORIES

- / Inlet box with an integrated drain socket Ø 110mm
- / Inlet box with an integrated drain socket Ø 160mm
- / End cap closed for constructive heights
150 and 305 mm
- / End caps with connection piece Ø 110mm, for
constructive heights 150, 175, 200, 225 and 250 mm
- / End cap for strand high point flow direction change
for constructive heights 150 to 250 mm
- / End cap for strand low point flow direction change
for constructive heights 225 und 250 mm
- / Transition piece to connect channels with a
constructive height of 250 and 305 mm

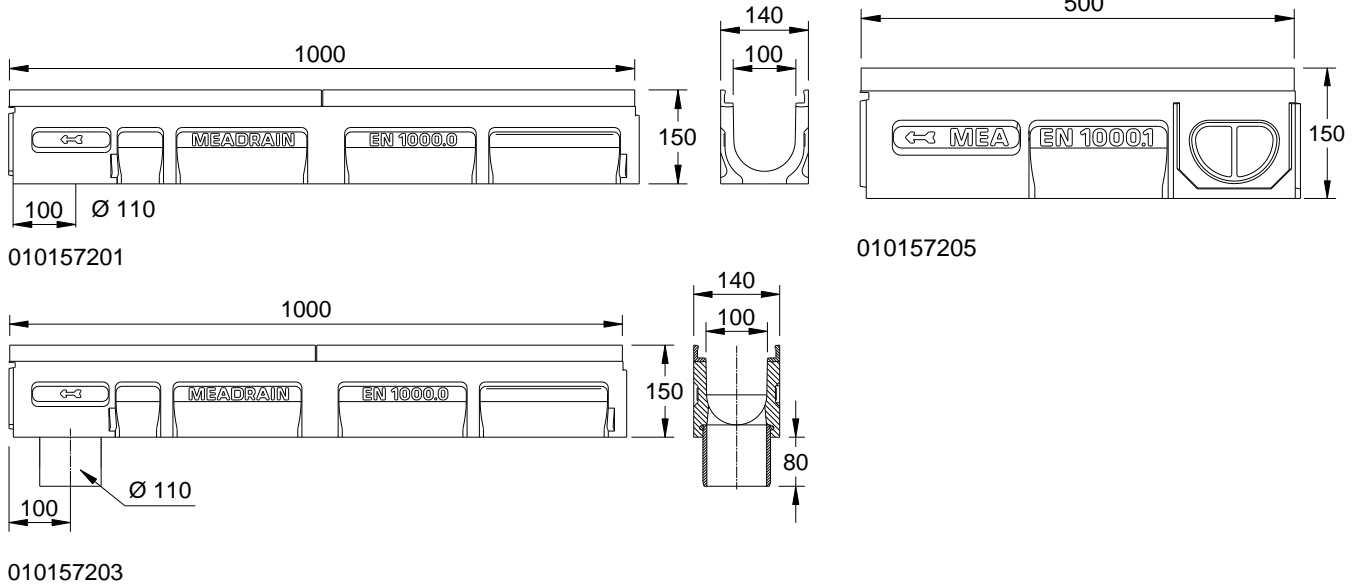
MEADRAIN EN 1000

A 15, B 125, C 250, D 400**, E 600**, F 900**

nominal width 100

MEADRAIN EN 1000 POLYMER CONCRETE DRAINAGE CHANNEL WITH AN INTEGRATED DUCTILE IRON FRAME AND SEALING JOINT ACCORDING TO EN 1433

Clear width of the channel body 100 mm, total width 140 mm. Suitable for all channel covers **MEA EN 100 PROFIX**, **MEA EN 100 4-fold bolted**, **MEA TSL 100** and **MEA TSH 100 TOPSLOT**. For the realization of water level slopes, loading classes, A 15 to F 900** according to EN 1433. Load capacity according to MEA installation instructions. General Building Authority Approval Z - 74.4 - 28



MEADRAIN EN 1000 DRAINAGE CHANNEL BODY WITHOUT FALL, LOADING CLASSES A 15 TO F 900** ACCORDING TO EN 1433

| Designation | Ord. No. | Length [mm] | Height [mm] | kg/unit |
|--|-----------|-------------|-------------|---------|
| MEADRAIN EN 1000.0 Drainage channel body ⁴⁾ | 010157201 | 1000 | 150 | 16,45 |
| MEADRAIN EN 1000.0/A Drainage channel with tight formed-in flanged drain socket Ø 110 mm ⁸⁾ | 010157203 | 1000 | 150 | 16,80 |
| MEADRAIN EN 1000.1 Drainage channel body ^{4) 14)} | 010157205 | 500 | 150 | 8,43 |
| MEADRAIN EN 1005.0 Drainage channel body ⁴⁾ | 010157219 | 1000 | 175 | 17,80 |
| MEADRAIN EN 1005.0/A Drainage channel with tight formed-in flanged drain socket Ø 110 mm ⁸⁾ | 010157221 | 1000 | 175 | 19,12 |
| MEADRAIN EN 1005.1 Drainage channel body ^{4) 14)} | 010157223 | 500 | 175 | 9,60 |
| MEADRAIN EN 1010.0 Drainage channel body ⁴⁾ | 010157237 | 1000 | 200 | 20,44 |
| MEADRAIN EN 1010.0/A Drainage channel with tight formed-in flanged drain socket Ø 110 mm ⁸⁾ | 010157239 | 1000 | 200 | 19,26 |
| MEADRAIN EN 1010.1 Drainage channel body ^{4) 14)} | 010157241 | 500 | 200 | 10,42 |
| MEADRAIN EN 1015.0 Drainage channel body ⁴⁾ | 010157255 | 1000 | 225 | 22,20 |
| MEADRAIN EN 1015.0/A Drainage channel with tight formed-in flanged drain socket Ø 110 mm ⁸⁾ | 010157257 | 1000 | 225 | 23,12 |
| MEADRAIN EN 1015.1 Drainage channel body | 010157259 | 500 | 225 | 11,44 |
| MEADRAIN EN 1020.0 Drainage channel body ⁴⁾ | 010157273 | 1000 | 250 | 24,18 |
| MEADRAIN EN 1020.0/A Drainage channel with tight formed-in flanged drain socket Ø 110 mm ⁸⁾ | 010157275 | 1000 | 250 | 24,10 |
| MEADRAIN EN 1020.1 Drainage channel body ^{4) 14)} | 010157277 | 500 | 250 | 12,22 |
| MEADRAIN EN 1030.0 Drainage channel body ⁴⁾ | 010157279 | 1000 | 305 | 27,78 |

** Not suitable for the diagonal or transverse travel of motorways and highways.

4) Connection option for vertical drain Ø 110 mm or to end cap with connection piece or to a gully/silt box.

8) With tight formed-in drain socket Ø 110mm

14) Connection option for corner-, t- and cross- connections.

MEADRAIN EN 1000

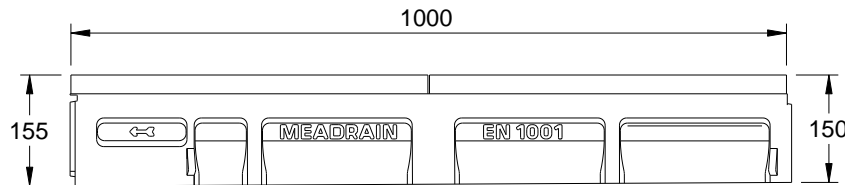
A 15, B 125, C 250, D 400**, E 600**, F 900**

nominal width 100

MEADRAIN EN 1000 POLYMER CONCRETE DRAINAGE CHANNEL

WITH AN INTEGRATED DUCTILE IRON FRAME AND SEALING JOINT ACCORDING TO EN 1433

Clear width of the channel body 100 mm, total width 140 mm. Suitable for the channel covers **MEA EN 100 PROFIX**, **MEA EN 100 4-FOLD-BOLTED**, **MEA TSL 100** and **MEA TSH 100 TOPSLOT**. For the realization of a linear fall (with fall 0,5%), loading classes, A 15 to F 900 ** according to EN 1433. Load capacity according to specification, when installed according to the MEA installation instructions. General Building Authority Approval Z - 74.4 – 28



010157207

MEADRAIN EN 1000 DRAINAGE CHANNEL BODY WITH FALL 0,5%, LOADING CLASSES A 15 TO F 900** ACCORDING TO EN 1433

| Designation | Ord. No. | Length [mm] | Height [mm] | kg/unit |
|--|-----------|-------------|-------------|---------|
| MEADRAIN EN 1001 Drainage channel body | 010157207 | 1000 | 150-155 | 16,63 |
| MEADRAIN EN 1002 Drainage channel body | 010157209 | 1000 | 155-160 | 17,19 |
| MEADRAIN EN 1003 Drainage channel body | 010157211 | 1000 | 160-165 | 17,02 |
| MEADRAIN EN 1004 Drainage channel body | 010157213 | 1000 | 165-170 | 17,78 |
| MEADRAIN EN 1005 Drainage channel body ⁴⁾ | 010157215 | 1000 | 170-175 | 17,88 |
| MEADRAIN EN 1005/A Drainage channel with tight formed-in flanged drain socket Ø 110 mm ⁸⁾ | 010157217 | 1000 | 170-175 | 18,12 |
| MEADRAIN EN 1006 Drainage channel body | 010157225 | 1000 | 175-180 | 18,20 |
| MEADRAIN EN 1007 Drainage channel body | 010157227 | 1000 | 180-185 | 18,37 |
| MEADRAIN EN 1008 Drainage channel body | 010157229 | 1000 | 185-190 | 19,38 |
| MEADRAIN EN 1009 Drainage channel body | 010157231 | 1000 | 190-195 | 19,13 |
| MEADRAIN EN 1010 Drainage channel body ⁴⁾ | 010157233 | 1000 | 195-200 | 19,52 |
| MEADRAIN EN 1010/A Drainage channel with tight formed-in flanged drain socket Ø 110 mm ⁸⁾ | 010157235 | 1000 | 195-200 | 21,12 |
| MEADRAIN EN 1011 Drainage channel body | 010157243 | 1000 | 200-205 | 19,98 |
| MEADRAIN EN 1012 Drainage channel body | 010157245 | 1000 | 205-210 | 19,70 |
| MEADRAIN EN 1013 Drainage channel body | 010157247 | 1000 | 210-215 | 20,56 |
| MEADRAIN EN 1014 Drainage channel body | 010157249 | 1000 | 215-220 | 20,96 |
| MEADRAIN EN 1015 Drainage channel body ⁴⁾ | 010157251 | 1000 | 220-225 | 21,26 |
| MEADRAIN EN 1015/A Drainage channel with tight formed-in flanged drain socket Ø 110 mm ⁸⁾ | 010157253 | 1000 | 220-225 | 23,12 |
| MEADRAIN EN 1016 Drainage channel body | 010157261 | 1000 | 225-230 | 21,30 |
| MEADRAIN EN 1017 Drainage channel body | 010157263 | 1000 | 230-235 | 22,12 |
| MEADRAIN EN 1018 Drainage channel body | 010157265 | 1000 | 235-240 | 22,64 |
| MEADRAIN EN 1019 Drainage channel body | 010157267 | 1000 | 240-245 | 22,70 |
| MEADRAIN EN 1020 Drainage channel body ⁴⁾ | 010157269 | 1000 | 245-250 | 23,04 |
| MEADRAIN EN 1020/A Drainage channel with tight formed-in flanged drain socket Ø 110 mm ⁸⁾ | 010157271 | 1000 | 245-250 | 25,12 |

** Not suitable for the diagonal or transverse travel of motorways and highways.

4) Connection option for vertical drain Ø 110 mm or to end cap with connection piece or to a gully/silt box.

8) With tight formed-in drain socket Ø 110mm

MEADRAIN EN 1000

A 15, B 125, C 250, D 400**, E 600**, F 900**

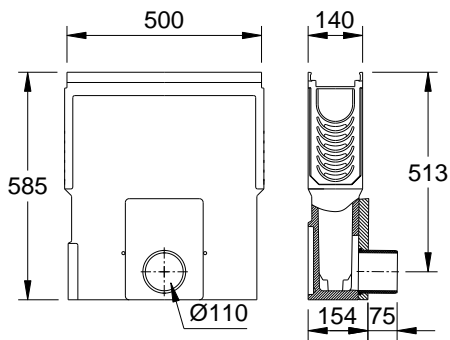
nominal width 100



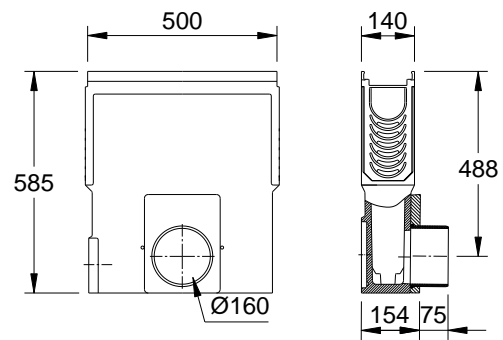
BUILDING SUCCESS

MEADRAIN EN 1000 ACCESSORIES

General Building Authority Approval Z - 74.4 – 28



010157301



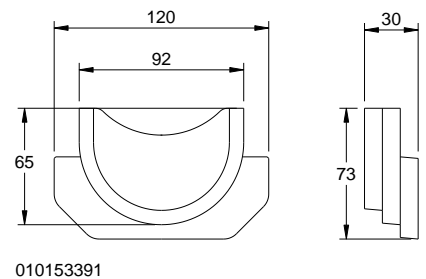
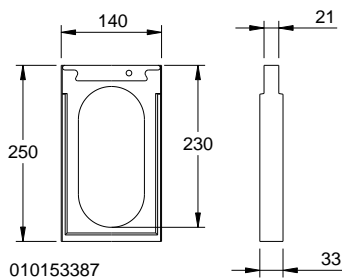
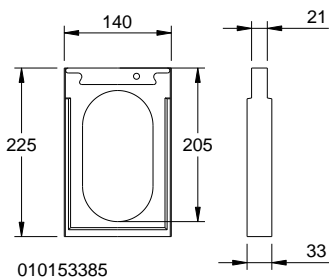
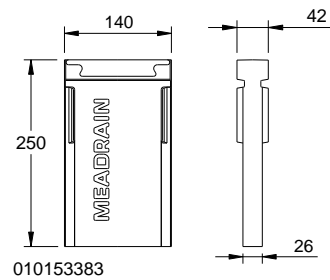
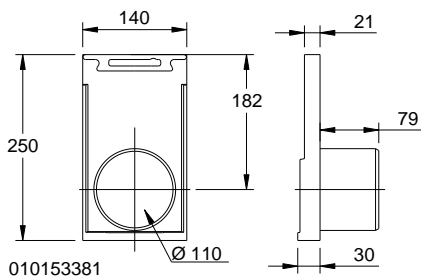
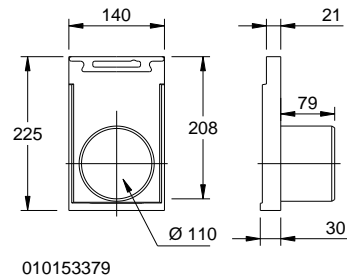
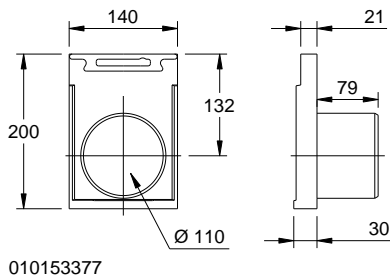
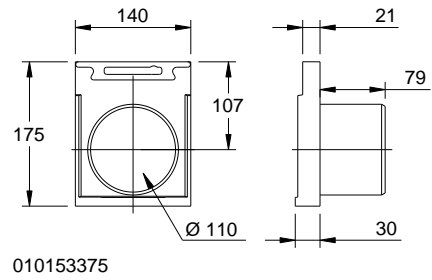
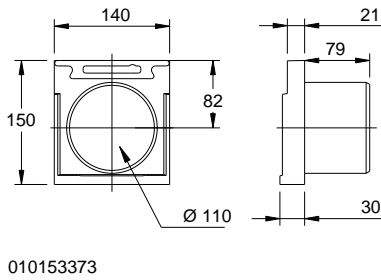
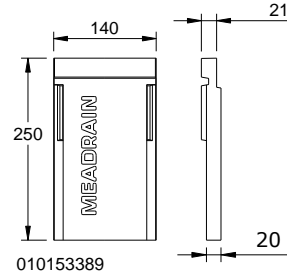
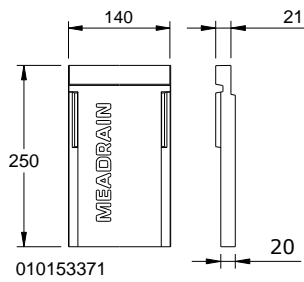
010157303

MEADRAIN EN 1000 GULLY INCL. PLASTIC SEDIMENT BUCKET**

| Designation | Ord. No. | Length [mm] | Height [mm] | kg/unit |
|--|-----------|-------------|-------------|---------|
| MEADRAIN EN 1000.EK110 gully with integrated drain socket Ø 110 mm incl. sediment bucket | 010157301 | 500 | 585 | 30,15 |
| MEADRAIN EN 1000.EK160 gully with integrated drain socket Ø 160 mm incl. sediment bucket | 010157303 | 500 | 585 | 29,77 |

** Not suitable for the diagonal or transverse travel of motorways and highways.

MEADRAIN EN 1000 END CAPS



** Not suitable for the diagonal or transverse travel of motorways and highways.

MEADRAIN EN 1000 END CAPS

| Designation | Ord. No. | Material | kg/unit |
|--|-----------|------------------|---------|
| MEADRAIN EN 1000.SE End cap for channel start/end of the channel EN 1000 - EN 1020 | 010153371 | Polymer concrete | 1,30 |
| MEADRAIN EN 1030.SE End cap for channel start/end of the channel EN 1030 | 010153389 | Polymer concrete | 1,30 |
| MEADRAIN EN 1000.E End cap for the end of the channel with HD-PE connector Ø 110 mm, suitable for channel: EN 1000 | 010153373 | Polymer concrete | 1,10 |
| MEADRAIN EN 1005.E End cap for the end of the channel with HD-PE connector Ø 110 mm, suitable for channel: EN 1005 | 010153375 | Polymer concrete | 1,30 |
| MEADRAIN EN 1010.E End cap for the end of the channel with HD-PE connector Ø 110 mm, suitable for channel: EN 1010 | 010153377 | Polymer concrete | 1,20 |
| MEADRAIN EN 1015.E End cap for the end of the channel with HD-PE connector Ø 110 mm, suitable for channel: EN 1015 | 010153379 | Polymer concrete | 1,80 |
| MEADRAIN EN 1020.E End cap for the end of the channel with HD-PE connector Ø 110 mm, suitable for channel: EN 1020 | 010153381 | Polymer concrete | 2,00 |
| MEADRAIN EN 1000.RWH for changing the direction of flow - strand peak for channel: EN 1000 - 1020 | 010153383 | Polymer concrete | 1,30 |
| MEADRAIN EN 1015.RWT for changing the direction of flow - strand low point for channel: EN 1015 | 010153385 | Polymer concrete | 1,10 |
| MEADRAIN EN 1020.RWT for changing the direction of flow - strand low point for channel: EN 1020 | 010153387 | Polymer concrete | 1,10 |
| MEADRAIN EN 1020.UE for connecting the elements: EN 1020.0 and EN 1030.0 | 010153391 | Polymer concrete | 0,30 |

** Not suitable for the diagonal or transverse travel of motorways and highways.

This edition of the technical data sheet shall be valid from March 2020 until a revised version is published and replaces any previous publications. The respectively current version is available for download at www.mea-group.com.

JOINTING COMPOUNDS FOR STANDARD APPLICATIONS***

| Designation | Ord. No. | Material | kg/unit |
|--|-----------|------------------|---------|
| SABA MS Floor GREY sealant 600 ml in a bag, stable *** | 010152708 | MS Polymer basis | 0,88 |
| SABA Primer 9102 for undercoat, 1 litre | 010155803 | Silane basis | 0,92 |
| Joint Cleaner solvent 48, 1 litre, Cleaner for adhesive flanks | 010155807 | - | 0,84 |
| Dispensing gun for 600 ml bags | 010152707 | - | 0,63 |

*** For watertight mounting of drainage channels (only for channels transporting rainwater). Not suitable for installation in LAU facilities, gas stations or similar constructions

This edition of the technical data sheet shall be valid from September 2021 until a revised version is published and replaces any previous publications. The respectively current version is available for download at www.mea-group.com.

MEA Bautechnik GmbH
 Business unit MEA Water Management
 Sudetenstraße 1
 86551 Aichach
 Tel.: +49 (0) 82 51. 91 0
 Fax: +49 (0) 82 51. 91 13 06
 E-Mail: info@mea-group.com
www.mea-group.com