

PURPOSE OF USE

Cover for a channel body of a drainage system with a slot-shaped water inlet, for use in areas where a slot drainage is required for aesthetic reasons. In-feed cross-section 96 cm²/m.

DESIGNS

Material

- / Die-cast grating with attachment made of galvanised steel
- / Die-cast grating with attachment made of stainless steel

Dimensions

- / Length 1000 mm
- / Length 500 mm
- / Neck height 160 mm

Inlet cross-section

- / 96 cm²/m

Intake performance

- / 2,5 l/s x m

ACCESSORIES

- / Revision attachment
- / End cap for slot attachment element
- / Construction cover 0.5 m and 1 m
- / Quick connector for grating
- / Cover caps for revision attachment thread
- / Assembly tool

** Not suitable for the diagonal or transverse travel of motorways and highways.

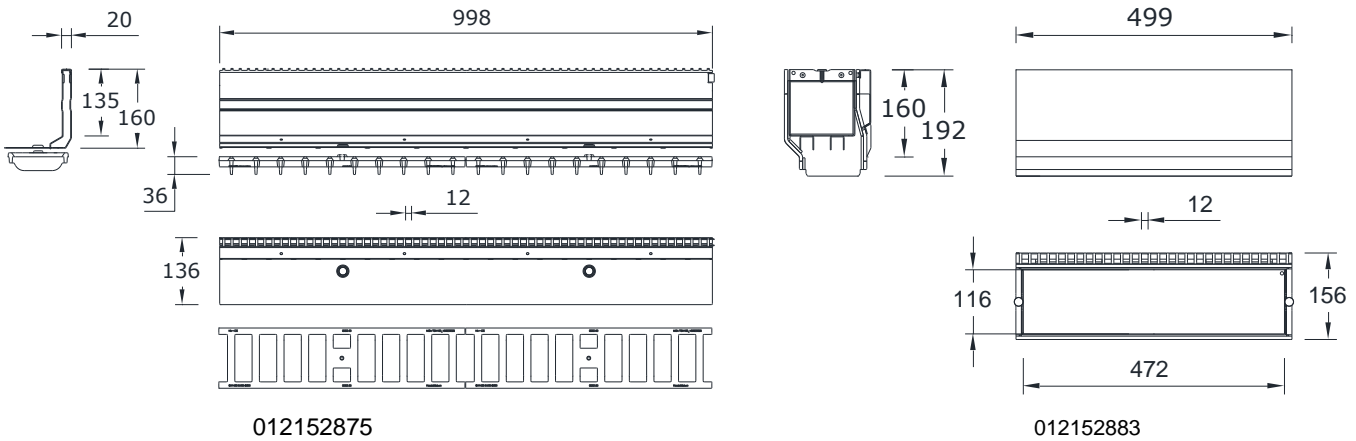
MEA TSH 100 TOPSLOT

A 15, B 125, C 250, D 400**, E 600**

CW 100

MEA TSH 100 TOPSLOT

MEA TSH 100 TOPSLOT suitable for channel systems **MEARIN PLUS/EXPERT 100**, **MEADRAIN EN 1000**, **MEADRAIN SV/SE/SG 1000** and **MEADRAIN SVF/SEF/SGF 1000**. Covers all ranges of applications. Loading classes A 15 to E 600** according to EN 1433. Load capacity according to specification, when installed according to the MEA installation instructions.



MEA TSH 100 TOPSLOT LATERAL, GALVANISED STEEL, NECK HEIGHT 160 MM, LOADING CLASS E 600** ACCORDING TO EN 1433

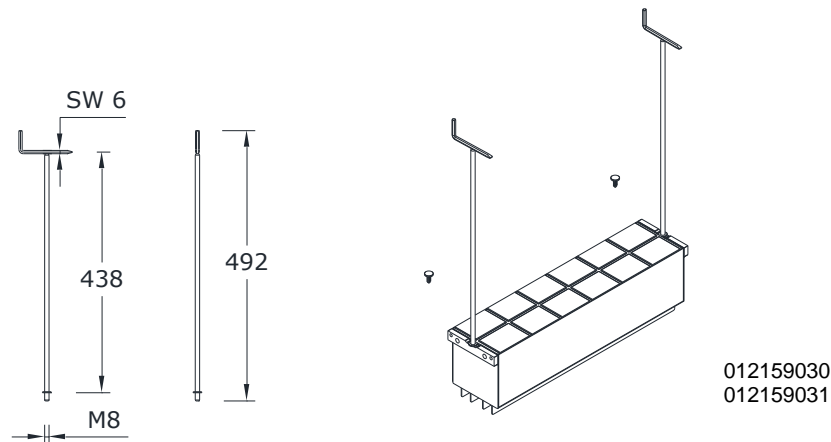
Description	Ord.No.	Material	Length [mm]	kg/pieces
MEA TSH 100.0 / 160 TOPSLOT-E 600-Galv.-1 m-lateral incl. 2 ductile iron grates	012152875	Galv. steel	1000	10,80
MEA TSH 100.1 / 160 TOPSLOT-E 600-Galv.-0,5 m-lateral incl. ductile iron grate	012152877	Galv. steel	500	5,40
MEA TSH 100.R / 160 Inspection element upper part-E 600-Galv.-0,5 m-lateral	012152883	Galv. steel	500	13,50

MEA TSH 100 TOPSLOT LATERAL, STAINLESS STEEL, NECK HEIGHT 160 MM, LOADING CLASS E 600** ACCORDING TO EN 1433

Description	Ord.No.	Material	Length [mm]	kg/pieces
MEA TSH 100.0 / 160 TOPSLOT-E 600-Stainl.steel-1 m-lateral incl. 2 ductile iron grates	012152879	Stainl. steel	1000	10,80
MEA TSH 100.1 / 160 TOPSLOT-E 600-Stainl.steel-0,5 m-lateral incl. ductile iron grate	012152881	Stainl. steel	500	5,40
MEA TSH 100.R / 160 Inspection element upper part-E 600-Stainl.steel-0,5 m-lateral	012152885	Stainl. steel	500	13,50

** Not suitable for the diagonal or transverse travel of motorways and highways.

MEA TSH 100, TOPSLOT ACCESSORIES



MEA TSH 100, TOPSLOT

Description	Ord.No.	Material	kg/pieces
MEA TSH End cap made of galvanised steel	012159030	Galv. steel	0,27
MEA TSH End cap made of stainless steel	012159031	Stainl. steel	0,27

MEA TSH 100, ACCESSORIES

Description	Ord.No.	Material	kg/pieces
TSH Bauzeitenabdeckung-S 1 m für Schlitzaufsatz	010159893	Galv. steel	0,29
TSH Bauzeitenabdeckung-R 0,5 m für Revisionsaufsatz	010159895	Galv. steel	0,16
TSH Kunststoff Abdeckkappen für Gewinde Revisionsaufsatz (Ersatzteil, in den Artikeln TSH Schlitzaufsatz und TSH Revisionsaufsatz bereits enthalten)	010152866	PP	0,01
TSH Schnellbefestiger für Rost (Ersatzteil, in den Artikeln TSH Schlitzaufsatz und TSH Revisionsaufsatz bereits enthalten)	010152900	PP	0,01
TSH Montagewerkzeug (2 Stück zum Ausheben des Revisionsaufsatzes erforderlich)	010152858	Galv. steel	0,25

** Not suitable for the diagonal or transverse travel of motorways and highways.

This edition of the technical data sheet shall be valid from November 2020 until a revised version is published, and replaces any previous publications. The respectively current version is available for download at www.mea-group.com.