

VMATERIALEIGENSCHAFTEN

POLYMER CONCRETE	on a Polyester resin basis, with mineral fillers, additives
COMPRESSIVE STRENGTH	≥ 90 N/mm ²
BENDING STRENGTH	≥ 22 N/mm ²
ELASTICITY MODULE	25,000 – 35,000 N/mm ²
DENSITY	2,1 – 2,3 kg/dm ³
COEFFICIENT OF LINEAR EXPANSION	Approx. 1.45 x 10 ⁻⁵ 1/K
HEAT RESISTANCE	100°C continuous load, up to 200°C with a load duration up to 5 min.
FROST RESISTANCE	- 50 °C
WATER PENETRATION LEVEL	0 mm
WATER ABSORPTION	< 0.05%
MATERIAL STRUCTURE	Capillary free

PURPOSE OF USE

Component for the line drainage of surfaces in order to collect, transport and discharge rain water from adjacent fixed surfaces

DESIGN

- / Length 500 and 1000 mm
- / Length 1000 mm including formed-in drain socket
- / Constructive height 220, 270 and 320 mm
- / Special constructive height 180 mm
- / Drainage channel body as a connection piece for a stepped fall

EDGE PROTECTION

- / Cast iron GG KTL coated

ACCESSORIES

- / Sediment bucket top part for all constructive heights
- / Sediment bucket top part for all constructive heights
- / Sediment bucket intermediate part
- / Sediment bucket short bottom part with integrated drain socket Ø 160mm
- / Sediment bucket short bottom part with integrated drain socket Ø 200mm
- / Sediment bucket short lower part with moulding for drains Ø 160 and 200mm, without DIBt approval
- / Sediment bucket deep lower part with moulding for drains Ø 160 and 200mm, without DIBt approval
- / sediment bucket
- / End cap closed for all constructive heights, and special constructive height
- / End cap with connection piece Ø 160mm for all constructive heights
- / End cap with connection piece Ø 110mm for special constructive height
- / Transition element for connecting channels with a special constructive height with channel in a constructive height of 220 mm
- / Direction change for strand high point for all constructive heights

** Not suitable for the diagonal or transverse travel of motorways and highways.

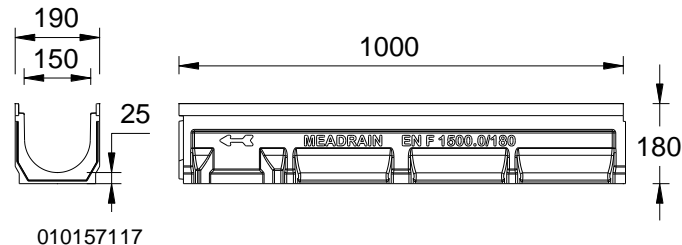
MEADRAIN ENF and EN 1500

A 15, B 125, C 250, D 400**, E 600**, F 900** nominal width 150

MEADRAIN ENF 1500 POLYMER CONCRETE DRAINAGE CHANNEL

WITH AN INTEGRATED DUCTILE IRON FRAME AND SEALING JOINT ACCORDING TO EN 1433

Clear width of the channel body 150 mm, total width 190 mm. Suitable for channel covers MEA EN 150 PROFIX, MEA EN 150 4-fold bolted and MEA TSH 150 TOPSLOT. For the realization of water level slopes. Loading classes A 15 to F 900** according to EN 1433. Load capacity according to specification, when installed according to the MEA installation instructions. General Building Authority Approval Z - 74.4 - 28



MEADRAIN ENF 1500 DRAINAGE CHANNEL BODY WITHOUT FALL, LOADING CLASS F 900** ACCORDING TO EN 1433

Designation	Ord. No.	Length [mm]	Height [mm]	kg/unit
MEADRAIN ENF 1500.0/180 Drainage channel body ⁵⁾	010157117	1000	180	22,50

** Not suitable for the diagonal or transverse travel of motorways and highways.

5) Connection option for vertical drain Ø 160 mm (drainage deformation) or to a gully.

MEADRAIN ENF and EN 1500

A 15, B 125, C 250, D 400**, E 600**, F 900** nominal width 150

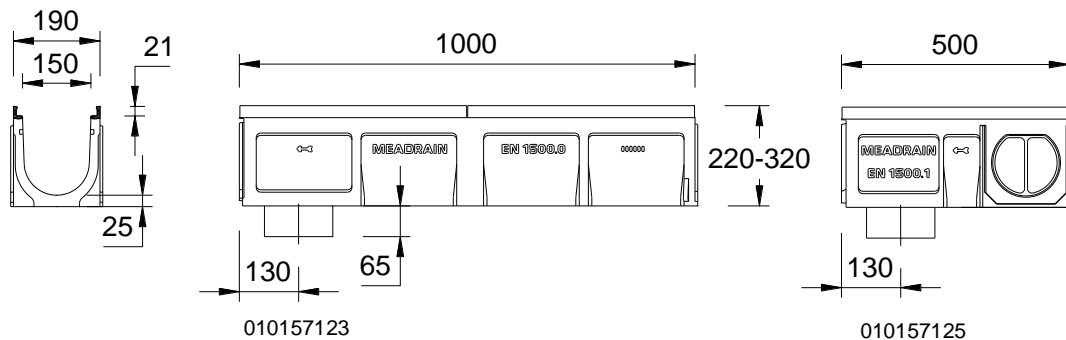
MEADRAIN EN 1500 POLYMER CONCRETE DRAINAGE CHANNEL

WITH AN INTEGRATED DUCTILE IRON FRAME AND SEALING JOINT ACCORDING TO EN 1433

Clear width of the channel body 150 mm, total width 190 mm. Suitable for channel covers MEA EN 150 PROFIX, MEA EN 150 4-fold bolted and MEA TSH 150 TOPSLOT. For the realization of water level slopes or stepped falls. Loading classes A 15 to F 900** according to EN 1433. Load capacity according to specification, when installed according to the MEA installation instructions. General Building Authority Approval Z - 74.4 – 28

MEADRAIN EN 1500 COMPLETE CHANNEL, LOADING CLASS D 400** ACCORDING TO EN 1433

Designation	Ord. No.	Length [mm]	Height [mm]	kg/unit
MEADRAIN EN 1500 complete channel with Ductile iron slotted grating-D 400-bolt fixing required	010712724	1000	220	39,98



MEADRAIN EN 1500 DRAINAGE CHANNEL BODY, LOADING CLASS F 900** ACCORDING TO EN 1433

Designation	Ord. No.	Length [mm]	Height [mm]	kg/unit
MEADRAIN EN 1500.0 Drainage channel body ⁵⁾	010157123	1000	220	26,82
MEADRAIN EN 1500.0/A Drainage channel with tight formed-in flanged drain socket Ø 160 mm ⁹⁾	010157122	1000	220	26,82
MEADRAIN EN 1500.1 Drainage channel body ^{5) 14)}	010157125	500	220	13,62
MEADRAIN EN 1510.0 Drainage channel body ⁵⁾	010157127	1000	270	30,78
MEADRAIN EN 1510.1 Drainage channel body ^{5) 14)}	010157129	500	270	15,62
MEADRAIN EN 1520.0 Drainage channel body ⁵⁾	010157131	1000	320	34,45
MEADRAIN EN 1520.1 Drainage channel body ^{5) 14)}	010157133	500	320	17,30
MEADRAIN EN 1520.1- RW/A Drainage channel with tight formed-in flanged drain socket Ø 160 mm ^{9) 14) 15)}	010157135	500	320	18,05

** Not suitable for the diagonal or transverse travel of motorways and highways.

5) Connection option for vertical drain Ø 160 mm (drainage deformation) or to a gully.

9) Channel elements with tight formed-in drain socket Ø 160 mm

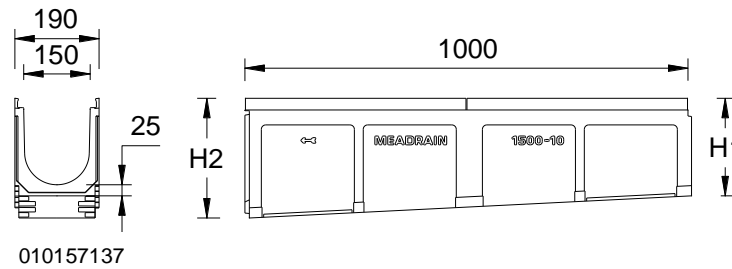
14) Connection option for corner-, t- and cross- connections.

15) Utilization option as a flow direction change.

MEADRAIN ENF and EN 1500

A 15, B 125, C 250, D 400**, E 600**, F 900** nominal width 150

MEADRAIN EN 1500



MEADRAIN EN 1500 DRAINAGE CHANNEL BODY AS CONNECTING PIECES, FOR THE REALIZATION OF STEPPED FALLS, LOADING CLASS F 900** ACCORDING TO EN 1433

Designation	Ord. No.	Length [mm]	Height H1-H2 [mm]	kg/unit
MEADRAIN EN 1500-10 channel for steep slope with 5% slope	010157137	1000	220-270	29,40
MEADRAIN EN 1510-20 channel for steep slope with 5% slope	010157139	1000	270-320	32,50

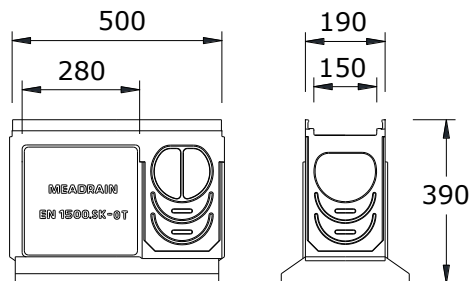
** Not suitable for the diagonal or transverse travel of motorways and highways

MEADRAIN ENF and EN 1500

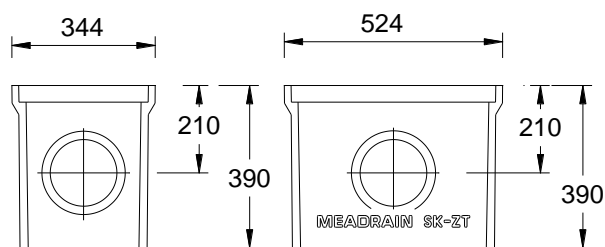
A 15, B 125, C 250, D 400**, E 600**, F 900**

nominal width 150

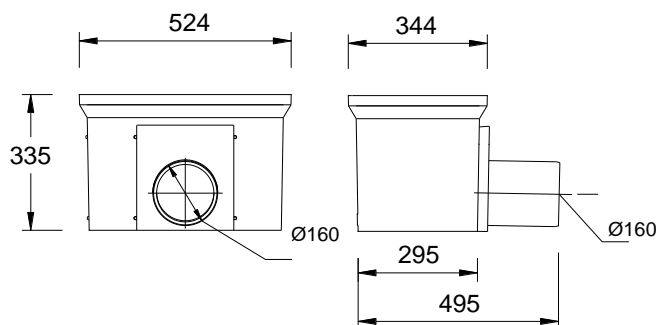
MEADRAIN EN AND ENF 1500 ACCESSORIES



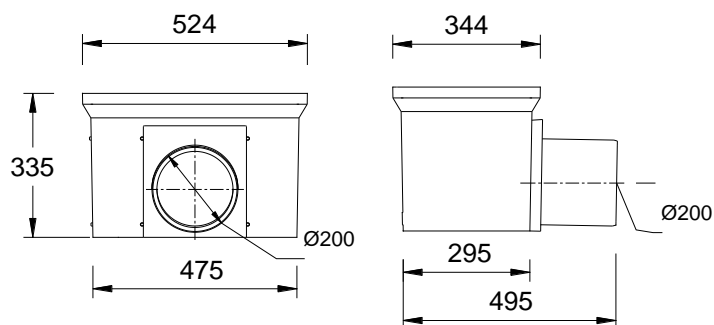
010157141



010154709



010154726



010154728

MEADRAIN EN 1500 GULLY**

Designation	Ord. No.	Length [mm]	Height [mm]	kg/unit
MEADRAIN EN 1500 SK-OT Gully upper part open on both sides for low constructive height	010157141	500	390	25,03
MEA SK-ZT gully intermediate part made of polymer concrete for a height extension	010154709	524	375	22,00
MEA SK-UT short Gully lower part, with integrated drain socket Ø 160 mm	010154726	524	335	25,16
MEA SK-UT short Gully lower part, with integrated drain socket Ø 200 mm	010154728	524	335	27,00
MEADRAIN sediment bucket Galv. for gully	010151846	-	-	3,10

** Not suitable for the diagonal or transverse travel of motorways and highways.

MEADRAIN ENF and EN 1500

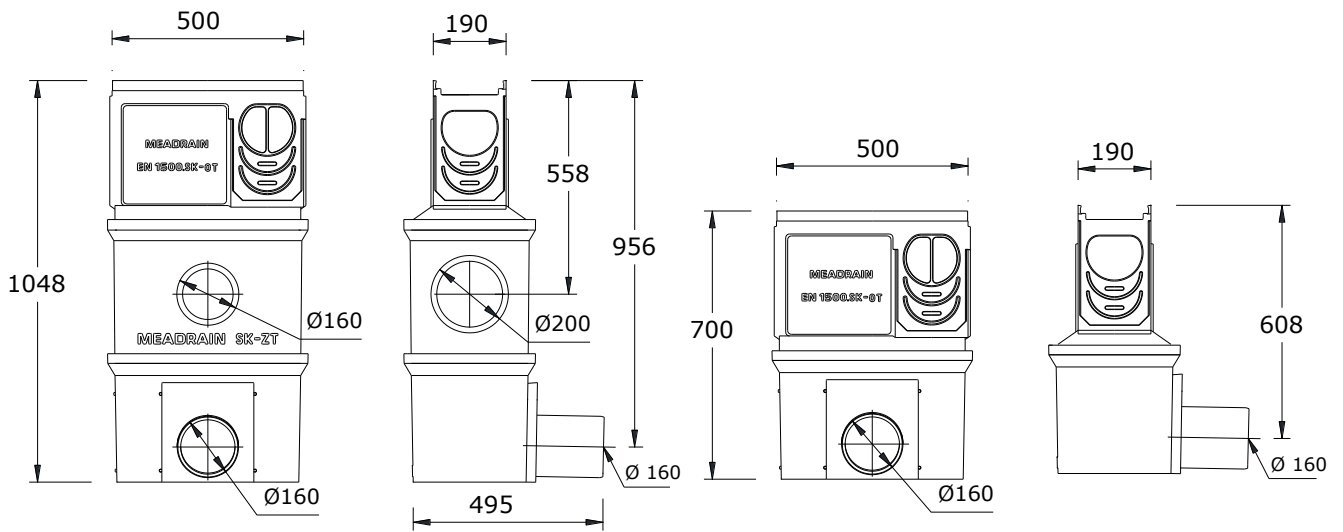
A 15, B 125, C 250, D 400**, E 600**, F 900**

nominal width 150



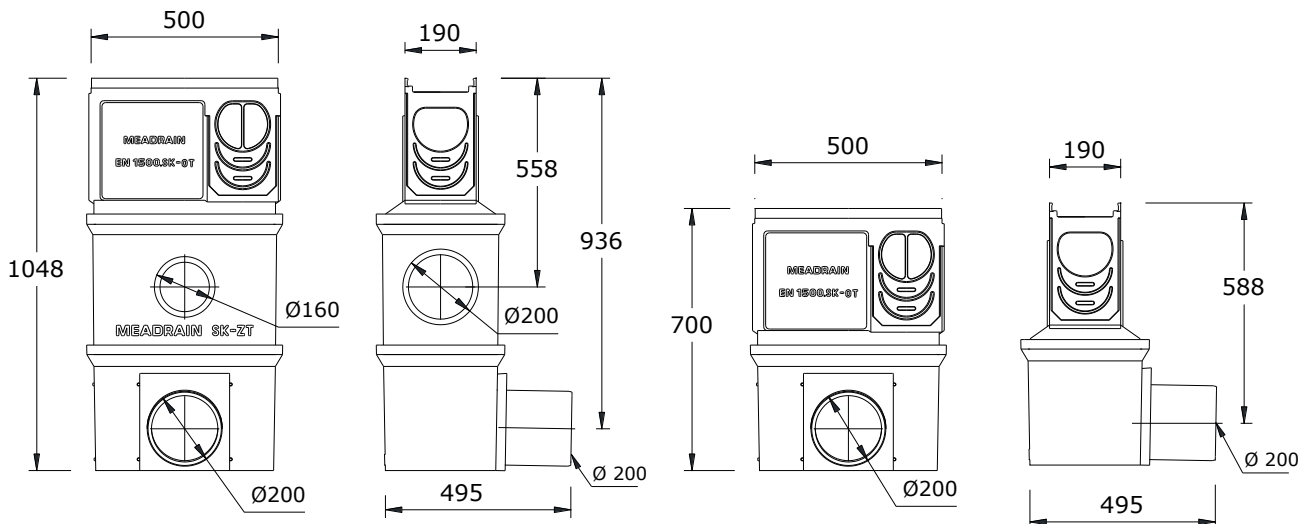
BUILDING SUCCESS

MEADRAIN EN AND ENF 1500 ACCESSORIES



MEADRAIN EN 1500
SK-OT+SK-ZT+SK-UT Ø160

MEADRAIN EN 1500
SK-OT+SK-UT Ø160



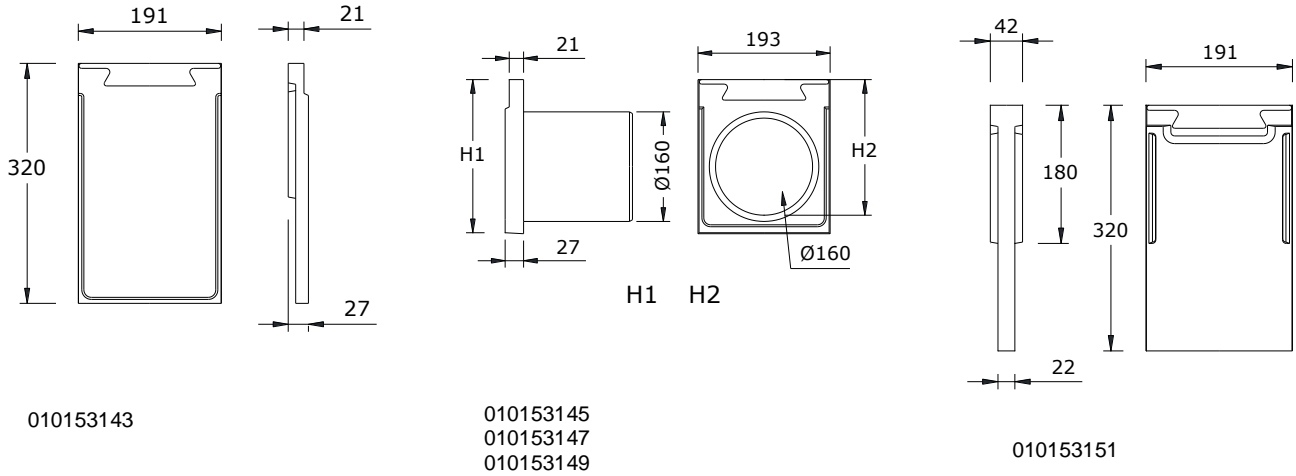
MEADRAIN EN 1500
SK-OT+SK-ZT+SK-UT Ø200

MEADRAIN EN 1500
SK-OT+SK-UT Ø200

MEADRAIN ENF and EN 1500

A 15, B 125, C 250, D 400**, E 600**, F 900** nominal width 150

MEADRAIN EN 1500 END CAPS



MEADRAIN EN 1500 END CAPS

Designation	Ord. No.	Material	kg/unit
MEADRAIN EN 1500.SE End cap for channel start/end, suitable for all channels	010153143	Polymerbeton	1,87
MEADRAIN ENF 1500.0/180.E End cap with HD-PE connector Ø 110 mm, for the end of the channel, suitable for channel ENF 1500.0/180	010157119	Polymerbeton	1,90
MEADRAIN EN 1500.E End cap with HD-PE connector Ø 160 mm, for the end of the channel, suitable for channel EN 1500	010153145	Polymerbeton	1,90
MEADRAIN EN 1510.E End cap with HD-PE connector Ø 160 mm, for the end of the channel, suitable for channel EN 1510	010153147	Polymerbeton	2,30
MEADRAIN EN 1520.E End cap with HD-PE connector Ø 160 mm, for the end of the channel, suitable for channel EN 1520	010153149	Polymerbeton	2,80
MEADRAIN EN 1500.RWH for changing the direction of flow - strand peak for all channels	010153151	Polymerbeton	3,30
MEADRAIN ENF 1500/180.UE Transition element for flat channels to EN 1500.0	010157121	Polymerbeton	1,90

This edition of the technical data sheet shall be valid from September 2020 until a revised version is published and replaces any previous publications. The respectively current version is available for download at www.mea-group.com.

MEA Bautechnik GmbH
 Business unit MEA Water Management
 Sudetenstraße 1
 86551 Aichach
 Tel.: +49 (0) 82 51. 91 0
 Fax: +49 (0) 82 51. 91 13 06
 E-Mail: info@mea-group.com
www.mea-group.com