

MATERIAL CHARACTERISTICS

Fiberglass composite	glass-fibre reinforced polyester, glass-fibres in channel length, mineral fillers, additives (UP-GF), 70% glass-fibre content
tensile strength	240 N/mm ² (EN13706/3)
bending strength	240 N/mm ² (EN13706/3)
Elasticity module	23,000 N/mm (EN13706/3)
Density	1.8 g/cm ³ (EN13706/3)
Coefficient of linear expansion	1-1.6 x 10 ⁻⁵ 1/K (EN13706/3)
Heat resistance	100°C continuous load, up to 240°C with a load duration up to 110 min.
Frost resistance	-35°C
Water penetration level	0 mm
Water absorption	<0.1% (ISO R178)
Material structure	Capillary free
color***	Grey (similar to RAL 7042, traffic grey) or black (similar to RAL 7021, black grey)

HYDRAULIC POWER

Discharge capacity (via free drainage channel cross section): 0.33 l/s

Water absorption volume: 1.87 l/m

PURPOSE OF USE

Components for the line drainage of surfaces, mainly in parking garages, to protect concrete surfaces and their reinforcement from penetrating, saline moisture,

Channel according to DIN EN 1433 / 19580,

for installation in accordance with DIN 18532 - sealing of usable traffic areas made of concrete-

Part 1: requirements, planning and execution principles.

EXECUTION

- / Length 3000 mm
- / Width 170/180 mm
- / Constructive height 30mm

ACCESSORIES

- / Channel connectors, for defining the width of butt joints
- / Drain elements made of stainless steel V2A, with connection Ø 110mm
- / Crossing elements made of stainless steel V2A, with 4-sided channel connection possibility
- / End caps, as terminating elements of the channel sections
- / Odour trap, suitable for drain elements made of V2A
- / Press seal and adhesive flanges, for installation into the 2nd sealing level
- / Odour trap, suitable for press seal and adhesive flanges
- / Fire-Kit fire protection insert, suitable for press seal and adhesive flanges
- / Elevation of the channel, height-adjustable
- / Joint mounting aid
- / Pump sumps and pump sumpframe

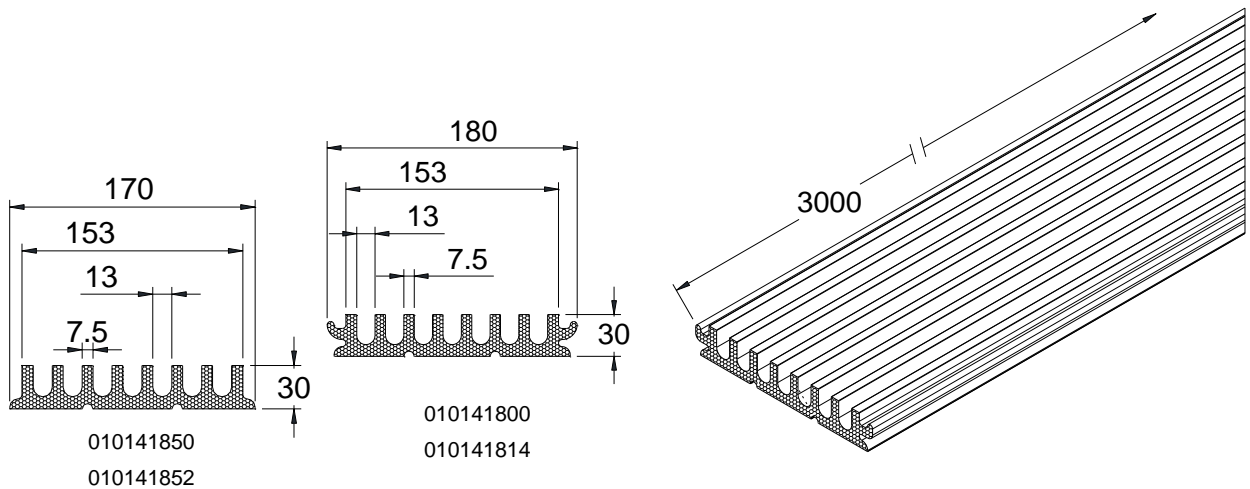
MEARIN PG EVO-OS 150 / -AS 150

A 15, B 125, C 250

Width 170/180

MEARIN PG EVO 150 FLAT CHANNEL FOR MULTI-STOREY CAR PARKS MADE OF GLASS-FIBRE-REINFORCED COMPOSITE WITH COMB PROFILE, SEALABLE CHANNEL JOINTS, ACCORDING TO EN 1433.

Drainage channels made of glass-fibre-reinforced composite, width 170 / 180 mm. For the realization of water level slopes. Low construction height of 30 mm, and reduction of the butt seals through a length of 3000 mm. 2 types of profiles available: one with sealing flange for floors coated with resin (MEARIN PG EVO-OS) and one without flange for floors coated with asphalt (MEARIN PG EVO-AS). Available in 2 colours (grey, black)** as standard, other colours on request. Loading class A 15 to C 250 according to EN 1433. Load capacity according to specification, when installed according to the MEA installation instructions. Fire resistance according to DIN EN 13501-1 Bfl-S1, hardly inflammable, No. 230011568-3.



MEARIN PG EVO-OS 150 MULTI-STOREY CAR PARK CHANNEL, IN GREY OR BLACK, LOADING CLASSES A 15 TO C 250 ACCORDING TO EN 1433, FOR THE INSTALLATION IN FLOORS COATED WITH RESIN

Designation	Order No.	Length/mm	Constructive height /mm	kg per item
MEARIN PG EVO-OS 150 GREY channel, including sealing flange	010141800	3000	30	18,19
MEARIN PG EVO-OS 150 BLACK drainage channel body 3 m, with sealing flange	010141814	3000	30	17,60

MEARIN PG EVO-AS 150 MULTI-STOREY CAR PARK CHANNEL, IN GREY OR BLACK, LOADING CLASSES A 15 TO C 250 ACCORDING TO EN 1433, FOR THE INSTALLATION IN FLOORS COATED WITH ASPHALT

Designation	Order No.	Length/mm	Constructive height /mm	kg per item
MEARIN PG EVO-AS 150 GREY drainage channel body, 3 m	010141850	3000	30	16,90
MEARIN PG EVO-AS 150 BLACK drainage channel body, 3 m	010141852	3000	30	16,90

** By using color lightening possible

MEARIN PG EVO-OS 150 / -AS 150

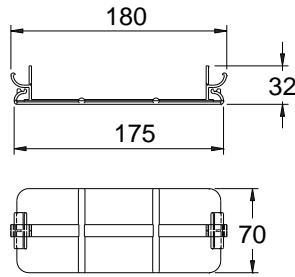
A 15, B 125, C 250

Width 170/180

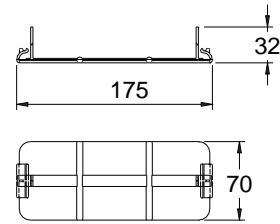
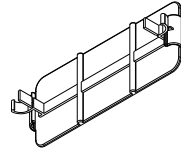


BUILDING SUCCESS

MEARIN PG EVO 150 FOR MULTI-STOREY CAR PARKS ACCESSORIES



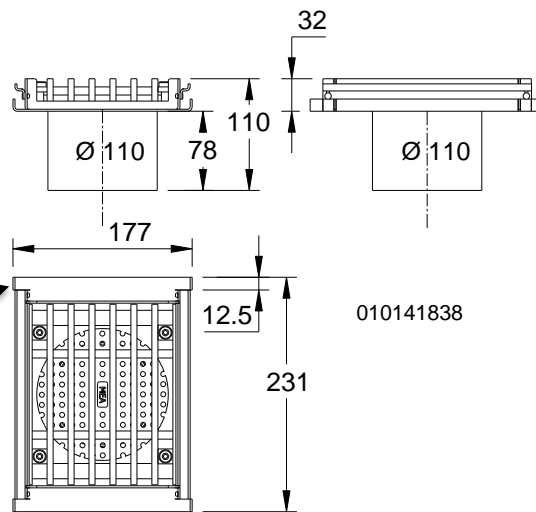
010141802



010141856

MEARIN PG EVO 150 MULTI-STOREY CAR PARK CHANNEL CONNECTOR MADE OF GLASS-FIBRE-REINFORCED COMPOSITE

Designation	Order No.	Material	kg per item
MEARIN PG EVO-OS 150.V connectors to connect the PG EVO-OS channels, and definition of the butt joint (colour: grey)	010141802	PC-GF	0,04
MEARIN PG EVO-AS 150.V connectors to connect the PG EVO-AS channels, and definition of the butt joint width 1 cm (colour: grey)	010141856	PC-GF	0,04



010141838

Channel standing in the drain 12,5 mm

MEARIN PG EVO 150.EK MULTI-STOREY CAR PARK CHANNEL DRAINAGE ELEMENT AISI 316

Designation	Order No.	Length/mm	Constructive height /mm	kg per item
MEARIN PG EVO 150.EK stainl. steel (AISI 316) drain Ø 110 mm incl. longitudinal rod cover matching the 4-fold screw connection and dirt filter appearance. OS sealing flansch can be removed for AS use. To close the open side an additional end cap is required.	010141838	231	32/112	3,70

When installing the channels with our elevation system, an additional elevationset is required for each drain, T or crossing element

MEARIN PG EVO-OS 150 / -AS 150

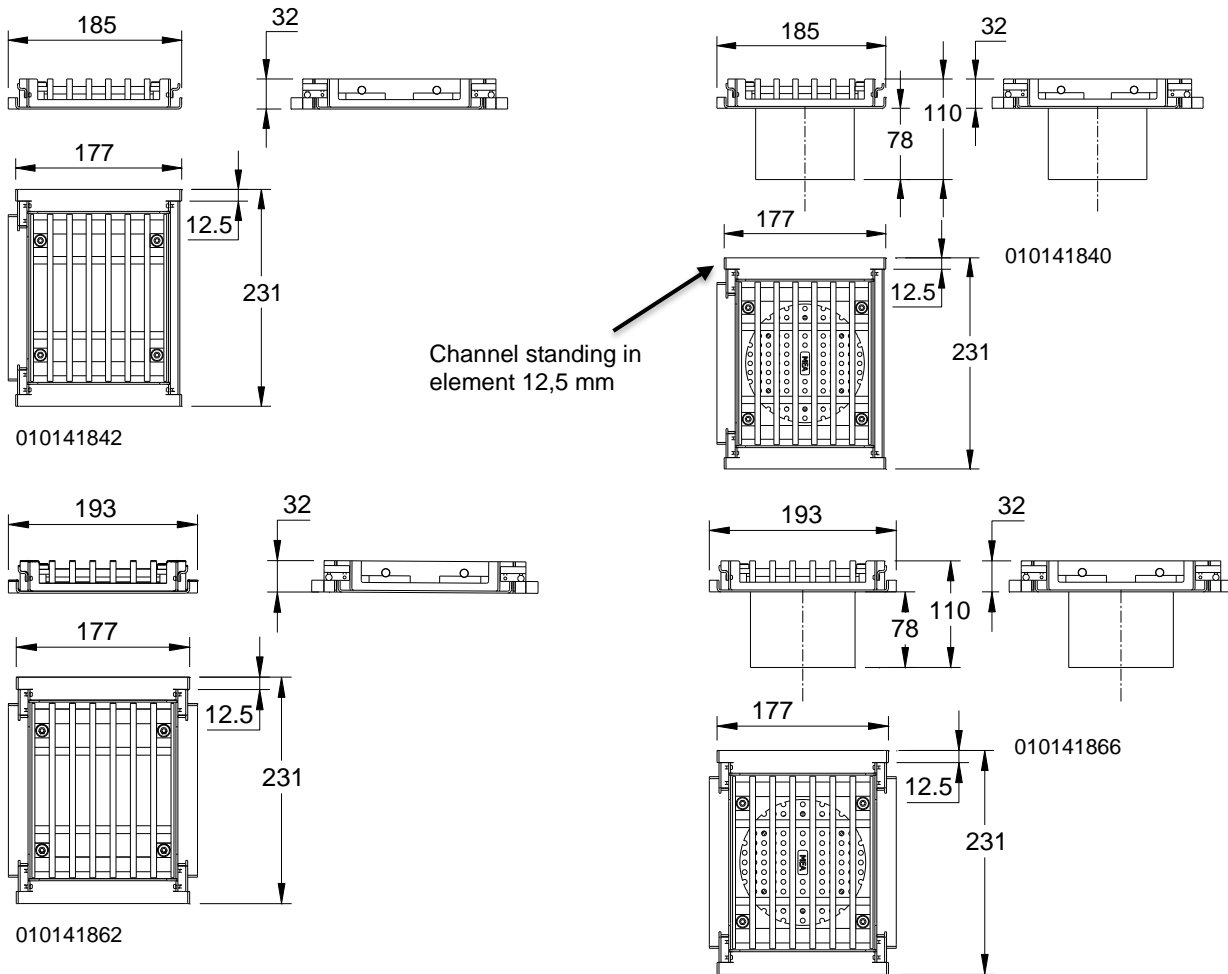
A 15, B 125, C 250

Width 170/180



BUILDING SUCCESS

MEARIN PG EVO 150 FOR MULTI-STOREY CAR PARKS ACCESSORIES



MEARIN PG EVO 150.T T / 150.K CROSSING ELEMENT WITH OR WITHOUT OUTLET, MADE OF STEINL. STEEL OR STAINLESS STEEL AISI 316

Designation	Order No.	Length/mm	Constructive height /mm	kg per item
MEARIN PG EVO 150.T stainl. steel (AISI 316) T crossing element incl. longitudinal rod cover, matching the channel appearance with 4-fold screw connection. OS seling flange can be removed for AS use. For connection on 3 Sides. For closing the fourth side use an additional end cap	010141840	231	32	3,10
MEARIN PG EVO 150.T stainl. steel (AISI 316) T crossing element with Ø 110 mm outlet incl. longitudinal rod cover, matching the channel appearance with 4-fold screw connection.OS sealing flansch can be removed for AS use. For connection on 3 Sides. For closing the fourth side use an additional end cap	010141842	231	32/110	3,80
MEARIN PG EVO 150.K stainl. steel (AISI 316) crossing element incl. longitudinal rod cover, matching the channel appearance with 4-fold screw connection. OS seling flange can be removed for AS use. For connection on 4 Sides. For closing the open sides use an additional end caps	010141862	231	32	3,10
MEARIN PG EVO 150.K stainl. steel (AISI 316) crossing element with Ø 110 mm outlet incl. longitudinal rod cover, matching the channel appearance with 4-fold screw connection. OS seling flange can be removed for AS use. For connection on 4 Sides. For closing the open sides use an additional end caps	010141866	231	32/110	3,80
MEARIN PG EVO 150 felt ring with inner Ø 110 mm / outer Ø 134 mm / thickness 10 mm. Prevents the penetration of mortar when combining PG EVO drains Ø 110 mm with Ø 125 mm pipe sockets.	010141892	-	10	0,02

When installing the channels with our elevation system, an additional elevationset is required for each drain, T or crossing element

MEARIN PG EVO-OS 150 / -AS 150

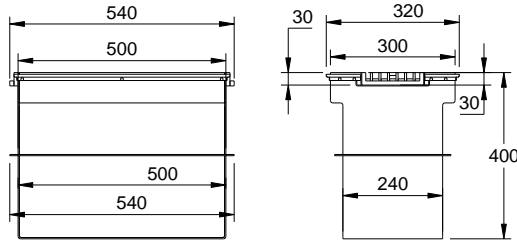
A 15, B 125, C 250

Width 170/180

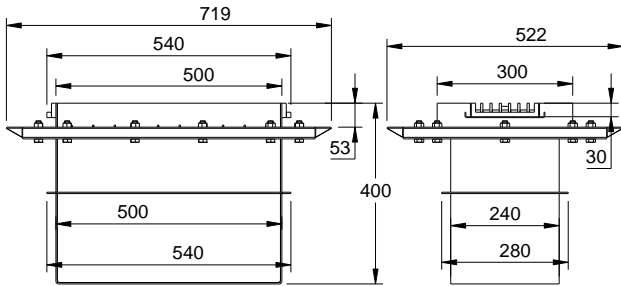


BUILDING SUCCESS

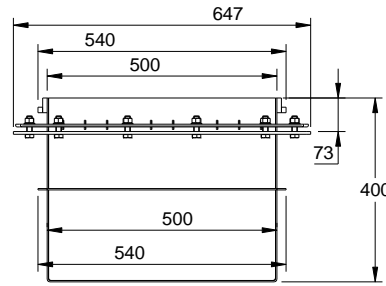
MEARIN PG EVO 150 FOR MULTI-STOREY CAR PARKS ACCESSORIES



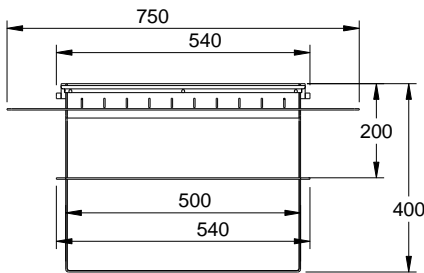
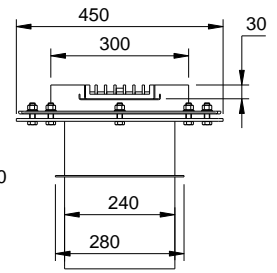
010141872



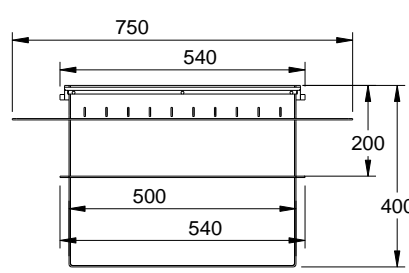
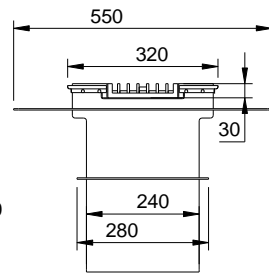
010141874



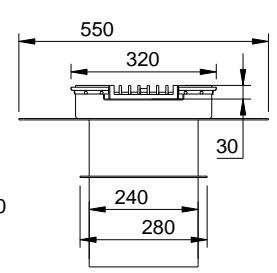
010141876



010141878



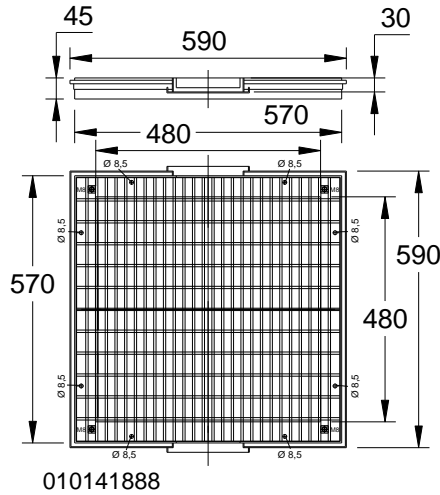
010141880



MEARIN PG EVO PUMP SUMP AND UND STACKING FRAME. MATERIAL: STAINLESS STEEL AISI 316

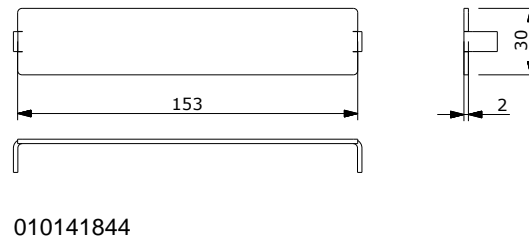
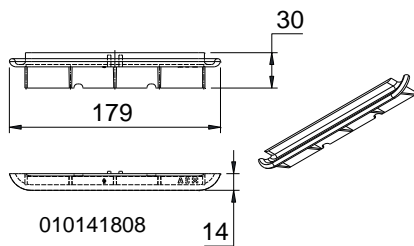
Designation	Order No.	Length/mm	Constructive height /mm	kg per item
MEA pump sump PG EVO-OS with OS sealing flange. For 2-sided gutter connection. Without clamping or adhesive flange. For use in floor slabs without a second sealing level. With pressurized water seal. Incl. Longitudinal rod grating B 125. Water absorption volume 47 liters.	010141872	540	400	28,90
MEA pump sump PG EVO-AS for installation in 1-layer mastic asphalt. For 2-sided gutter connection. With clamping flange and pressurized water seal. Incl. Longitudinal rod grating B 125. Water absorption volume 47 liters.	010141874	719	400	44,60
MEA pump sump PG EVO-AS for installation in 2-layer mastic asphalt. For 2-sided gutter connection. With clamping flange and pressurized water seal. Incl. Longitudinal rod grating B 125. Water absorption volume 47 liters.	010141876	647	400	42,40
MEA pump sump PG EVO-AS / OS for installation in 1-layer mastic asphalt or OS with a second sealing level. For 2-sided gutter connection. With adhesive flange and pressurized water seal. OS sealing flange removable. Incl. Longitudinal rod grating B 125. Water absorption volume 47 liters.	010141878	750	400	35,20
MEA pump sump PG EVO-AS / OS for installation in 2-layer mastic asphalt or OS with a second sealing level. For 2-sided gutter connection. With adhesive flange and pressurized water seal. OS sealing flange removable. Incl. Longitudinal rod grating B 125. Water absorption volume 47 liters.	010141880	750	400	35,40

MEARIN PG EVO 150 FOR MULTI-STOREY CAR PARKS ACCESSORIES



MEARIN PG EVO 150 STACKING FRAME INCLUDING GRATE FOR CONCRETE PUMP SUMPS AISI 316

Designation	Order No.	Length/mm	Constructive height /mm	kg per item
MEA stacking frame including grate for concrete pump sumps. With OS sealing flange. For 2-sided gutter connection. With pressurized water seal, including longitudinal bar grating B 125.	010141888	590	45	35,00



MEARIN PG EVO 150 END CAPS MADE OF PLASTIC OR STAINLESS STEEL AISI 316

Designation	Order No.	Material	kg per item
MEARIN PG EVO-OS 150.SE End cap for channel start/end with integrated sealing flange for OS coatings; suitable for PG EVO 150 outlet/ T and crossing element	010141808	PC	0,02
MEARIN PG EVO-AS 150 stainl. steel AISI 316 end cap for asphalt surfaces fitting the PG EVO 150 outlet, T and crossing element	010141844	Stainl. steel V4A	0,02

MEARIN PG EVO-OS 150 / -AS 150

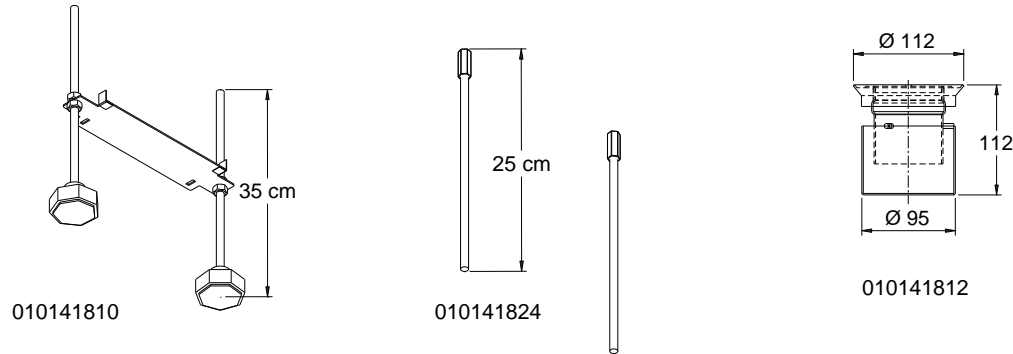
A 15, B 125, C 250

Width 170/180



BUILDING SUCCESS

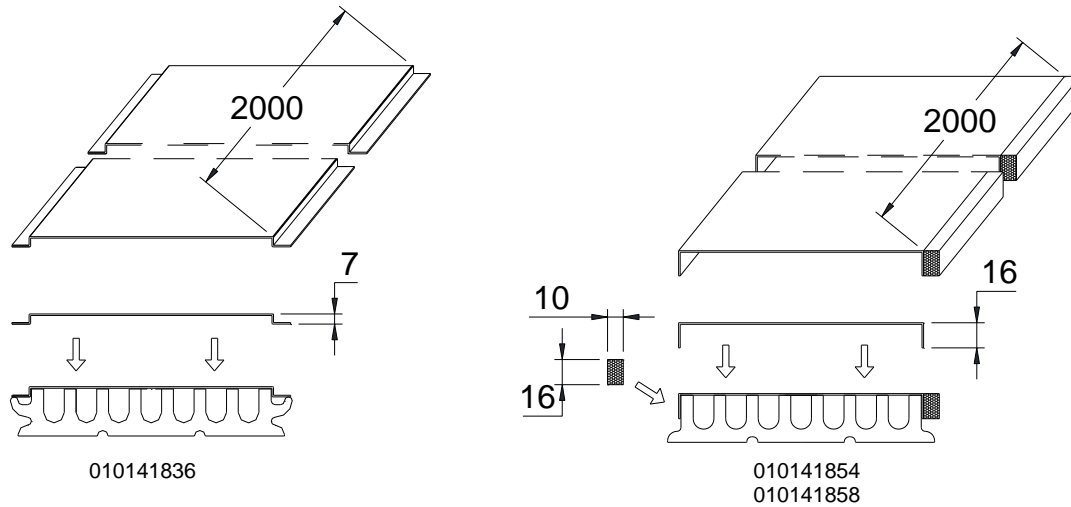
MEARIN PG EVO 150 FOR MULTI-STOREY CAR PARKS ACCESSORIES



MEARIN PG EVO 150 INSTALLATION ELEVATION AND ODOUR TRAP

Designation	Order No.	Material	kg per item
MEARIN PG EVO 150.AS installation set, standard height 35 cm. (Required quantity: 2x per 3 Meter channel +1)- Place every second installation unit directly underneath the connectors. One set is required for each drain / T or crossing element.	010141810	Galv. steel / Stainl. steel / Plastic	0,50
MEARIN PG EVO.AF extension 25 cm. Extension set for PG EVO.AF installation (2 rods with nuts).	010141824	Galv. steel	0,20
MEA odour trap GV Ø 110 mm made of stainl. steel. Fitting outlet-elements with Ø 110 mm nozzle.	010141812	Stainl. steel	0,45

MEARIN PG EVO 150 FOR MULTI-STOREY CAR PARKS ACCESSORIES



MEARIN PG EVO 150 MOUNTING COVER AND MOUNTING JOINTS

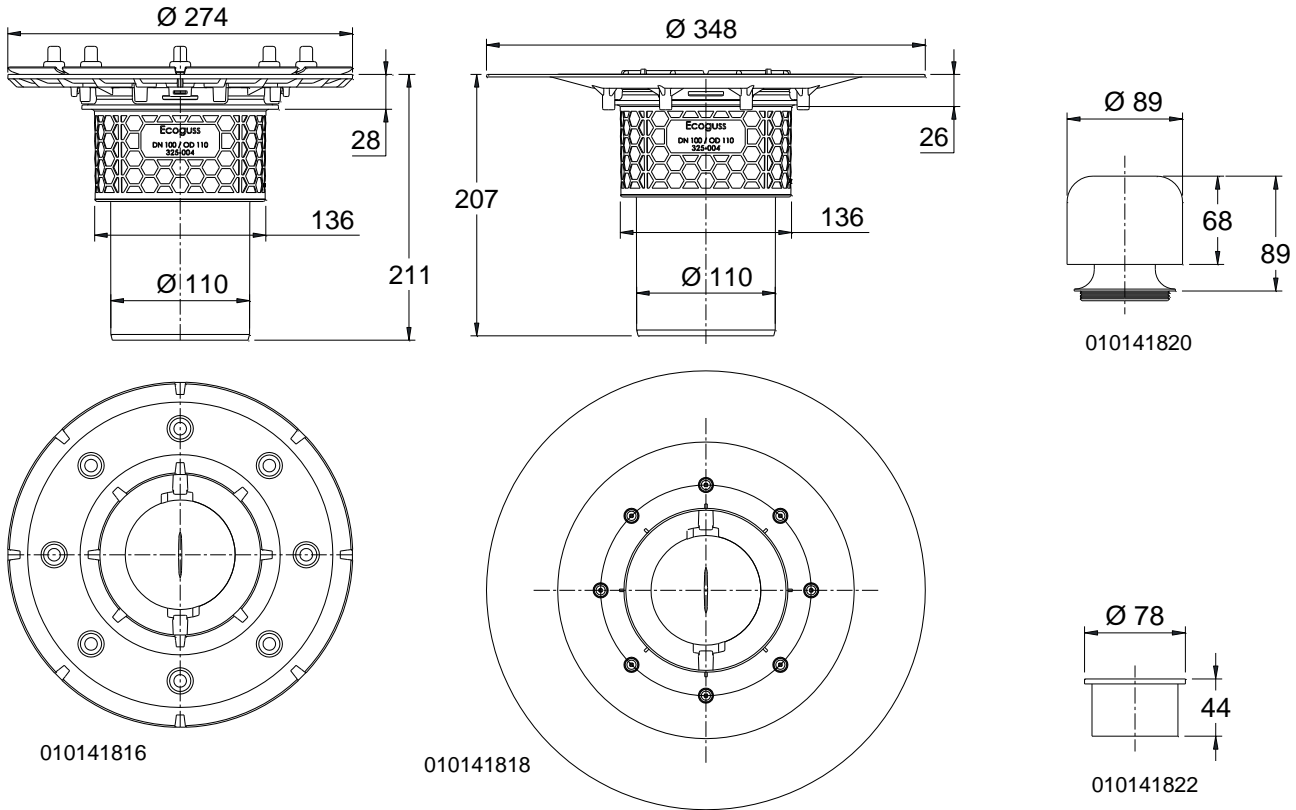
Designation	Order No.	Material	kg per item
MEARIN PG EVO 150 mounting cover for resin surfaces (OS). 2 Meters	010141836	Galv. steel	3,04
MEARIN PG EVO 150 mounting cover for asphalt and concrete surfaces (AS). 2 Meters	010141854	Galv. steel	3,04
MEARIN PG EVO-AS mounting joint, 2 meters, hardly inflammable according to (DIN 4102-1)	010141858	Melamine resin foam	0,02

MEARIN PG EVO SEALANTS FOR MULTI-STOREY CAR PARK CHANNELS***

Designation	Order No.	Material	kg per item
SABA MS Floor GREY sealant 600 ml in a bag, stable	010152708	MS Polymer basis	0,84
SABA Primer 9102, 1 litre	010155803	Silane basis	0,90
Joint Cleaner solvent 48, 1 litre, Cleaner for adhesive flanks	010155807	-	0,81
Dispensing gun for 600 ml bags	010152707	-	0,79
SABA MS Floor BLACK sealant 600 ml in a bag, stable	010152700	MS-Polymer-basis	0.84
SABA MS Floor GREY sealant 600 ml in a bag, stable	010152710	MS Polymer basis	0,84
SABA MS Floor BLACK sealant 600 ml in a bag, self-leveling	010152717	MS Polymer basis	0.84

*** For water tight mounting of drainage channels (only for channels transporting rain water). Not suitable for installation in LAU facilities, gaz stations or similar constructions.

MEARIN PG EVO 150 FOR MULTI-STOREY CAR PARKS ACCESSORIES



MEARIN PG floor/ceiling drains, odour trap and fire kit

Designation	Order No.	Material	kg per item
For installation with mastic asphalt: MEA PG pressed gasket flange drain. Floor/ceiling drain Eco ductile iron, external Ø 274 mm, incl. mortar barrier. Connection option for vertical drain Ø 110 mm. Optionally prepared for fire protection fire-kit and/or odour trap.	010141816	Ecoguss, stainl. steel	2,00
For installation with OS coatings: MEA PG adhesive flange drain. Floor/ceiling drain Eco ductile iron, external Ø 348 mm, incl. mortar barrier. Connection option for vertical drain Ø 110 mm. Optionally prepared for fire protection fire-kit and/or odour trap.	010141818	Ecoguss, plastic	1,90
MEA PG.GV odour trap suitable for floor/ceiling drains Eco ductile iron with pressure seal or adhesive flange, drain Ø 110 mm.	010141820	Plastic	0,20
MEA PG Fire-Kit, suitable for floor/ceiling drains Eco ductile iron, drain Ø 110 mm. In conjunction with eco ductile iron drains, MEA PG odour trap, fire resistance class R120 with DIBT approval Z-19.17-1719	010141822	Plastic / Stainl. steel	0,20

This edition of the technical data sheet shall be valid from December 2018 until a revised version is published, and replaces any previous publications. The respectively current version is available for download at www.mea-group.com.

MEA Bautechnik GmbH
 Geschäftsbereich MEA Water Management
 Sudetenstraße 1
 86551 Aichach
 Tel.: +49 (0) 82 51. 91 0
 Fax: +49 (0) 82 51. 91 13 06
 E-Mail: info@mea-group.com
www.mea-group.com
 Seite 9 | 9