

MATERIAL CHARACTERISTICS

POLYMER CONCRETE	on a Polyester resin basis, with mineral fillers, additives
COMPRESSIVE STRENGTH	≥ 90 N/mm ²
BENDING STRENGTH	≥ 22 N/mm ²
ELASTICITY MODULE	25,000 – 35,000 N/mm ²
DENSITY	2,1 – 2,3 kg/dm ³
COEFFICIENT OF LINEAR EXPANSION	Approx. 1.45 x 10 ⁻⁵ 1/K
HEAT RESISTANCE	100°C continuous load, up to 200°C with a load duration up to 5 min.
FROST RESISTANCE	- 50 °C
WATER PENETRATION LEVEL	0 mm
WATER ABSORPTION	< 0,05% DIN 52 103 (A)
MATERIAL STRUCTURE	Capillary free

PURPOSE OF USE

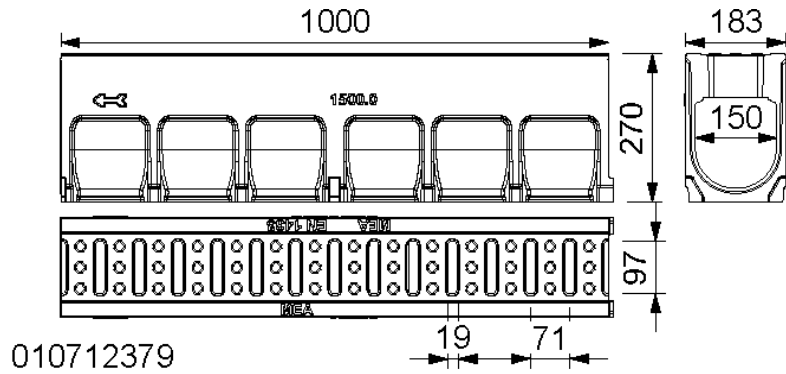
Component for the line drainage of surfaces in order to collect, transport and discharge rainwater from adjacent fixed surfaces.

MEADRAIN DM CITY 1500

A 15, B 125, C 250, D 400 CW 150

**MEADRAIN DM CITY 1500 POLYMER CONCRETE DRAINAGE CHANNEL
MONOLITHIC CONSTRUCTION WITH SEALING JOINT ACCORDING TO EN 1433**

Clear width of the channel body 150 mm, total width 183 mm. For the realization of water level slopes. Loading classes A 15 to D 400 according to EN 1433. Load capacity according to specification, when installed according to the MEA installation instructions.



MEADRAIN DM CITY 1500 DRAINAGE CHANNEL BODY, LOADING CLASS D 400 ACCORDING TO EN 1433

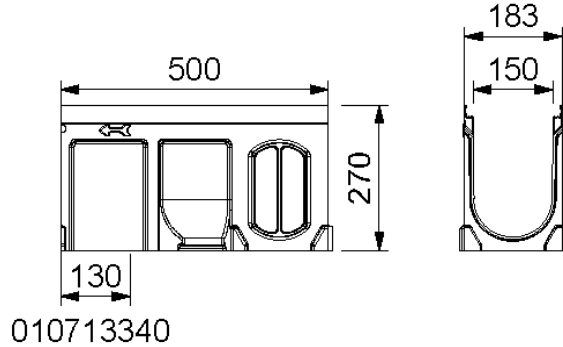
Designation	Ord. No.	Length [mm]	Height [mm]	Inlet sect. area Ø cm ² /m above	kg/unit
MEADRAIN DM CITY 1500.0 Drainage channel body-1 m	010712379	1000	270	314	47,03

MEADRAIN DM CITY 1500

A 15, B 125, C 250, D 400 CW 150

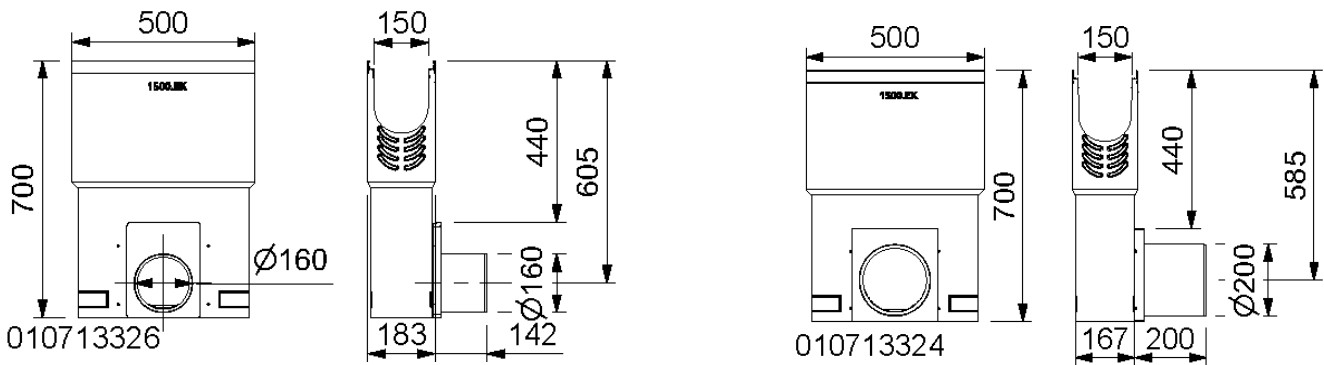
MEADRAIN DM CITY 1500 ACCESSORIES

MEADRAIN DM CITY 1500.0 channels are compatible with drainage elements MEADRAIN SV/SE/SG 1510 with the accessories of SV/SE/SG 1510.



MEADRAIN DM CITY 1500 INSPECTION ELEMENT

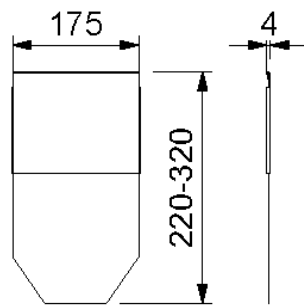
Designation	Ord. No.	Length [mm]	Height [mm]	kg/unit
MEADRAIN SV 1510.1 Drainage channel body 5) 14) **)	010713340	500	270	14,44
MEADRAIN SE 1510.1 Drainage channel body 5) 14) *) **)	010713417	500	270	10,75
MEADRAIN SG 1510.1 Drainage channel body 5) 14) *) **)	010713688	500	270	14,07



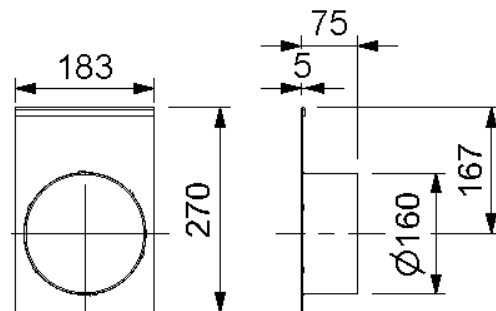
MEADRAIN DM CITY 1500 GULLY

Designation	Ord. No.	Length [mm]	Height [mm]	kg/unit
MEADRAIN SV 1500.EK160 gully with sediment bucket, for Ø 160 mm pipe connector, open on both sides for construction heights 220 mm **)	010713326	500	700	37,90
MEADRAIN SE 1500.EK160 gully with sediment bucket, for Ø 160 mm pipe connector, open on both sides for construction heights 220 mm *) **)	010713424	500	690	37,90
MEADRAIN SG 1500.EK160 Gully with sediment bucket for for pipe connection Ø 160 mm, open on both sides for construction height 220 mm *) **)	010713718	500	690	37,90
MEADRAIN SV 1500.EK200 gully with sediment bucket, for Ø 200 mm pipe connector, open on both sides for construction heights 220 mm **)	010713324	500	700	37,30

5) Connection option for vertical drain Ø 160 mm (drainage preformation), end caps with connector or to gullies / silt boxes.
 14) Connection option for corner-, t- and cross- connections.
 *) Delivery time on demand.
 **) Not suitable for the diagonal or transverse travel of motorways and highways



010713358



010713364

MEADRAIN DM CITY 1500 END CAPS

Designation	Ord. No.	Height [mm]	Height 2 [mm]	Material	kg/unit
MEADRAIN SV/SG 1500-20.SE End cap for channel start/ end, height-adjustable	010713358	220	320	Galv. steel	0,50
MEADRAIN SE 1500-20.SE End cap for start/end of channel, height-adjustable *)	010713426	220	320	Stainl. steel	0,50
MEADRAIN SV/SG 1510.E End cap with connection piece Ø 160 mm for channel end, fixed height	010713364	270	-	Galv. steel	1,13
MEADRAIN SE 1510.E End cap with connection piece Ø 160 mm, for channel end, fixed height *)	010713430	270	0	Stainl. steel	0,85

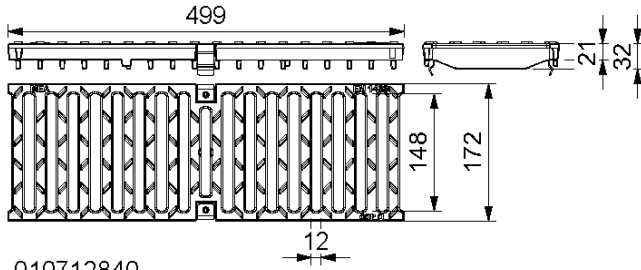
*) Delivery time on demand.

MEADRIN DM CITY 1500

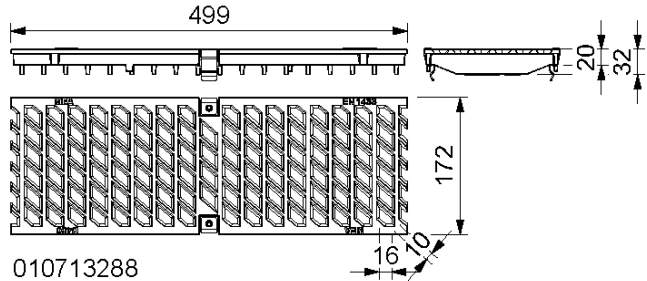
A 15, B 125, C 250, D 400 CW 150

COVERS FOR MEADRIN DM CITY 1500 GULLY AND INSPECTION ELEMENT

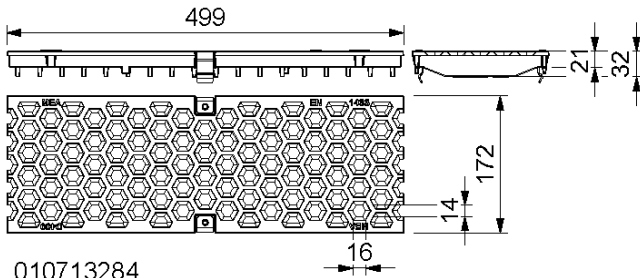
With CLIPFIX channel securement, with longitudinal shift protection, suitable for gully and inspection element of MEADRIN DM CITY 1500.



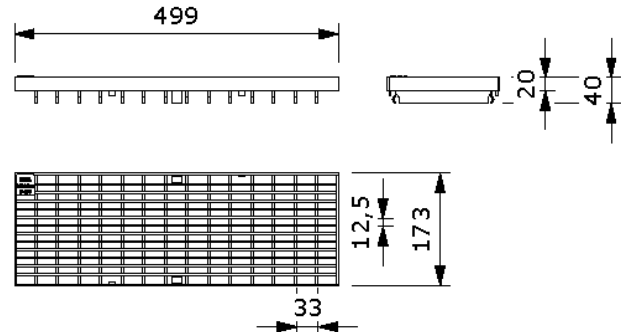
010712840



010713288



010713284



010152347

LOADING CLASS D 400 ACCORDING TO EN 1433

WITH NON-BOLTED CLIPFIX CHANNEL COVER SECUREMENT **)

Designation	Ord. No.	Material	Length [mm]	Inlet sect. area Ø cm²/m above	kg/unit
MEA 150 Ductile Iron slotted grating-D 400-0,5 m 12/147 CXL **)	010712840	Ductile iron	500	610	6,30
MEA 150 Design grating BAVARIA-D 400-0,5 m 10/21CXL *) **)	010713288	Ductile iron	500	445	6,16
MEA 150 Design grating HONEYCOMB-D 400-0,5 m 15/17 CXL*) **)	010713284	Ductile iron	500	336	6,16
MEA 150 Galv. mesh gratingD 400-0,5 m 30/10 CXL *) **)	010152347	Galv. steel	500	1338	5,00
MEA 150 Stainl.steel mesh grating-D 400-0,5 m 30/10 CXL *) **)	010152363	Stainl. steel	500	1338	5,00

*) Delivery time on demand.

**) Not suitable for the diagonal or transverse travel of motorways and highways.

****) The surface coating of ductile iron parts only has a temporary and cosmetic function. Ductile iron is virtually impervious to surface oxidation from environmental influences (e.g. thawing salt). Superficial rust does not constitute a product defect. Of course, the resignation of surface coating is in accordance with all corresponding standards

MEADRAIN DM CITY 1500

A 15, B 125, C 250, D 400 CW 150



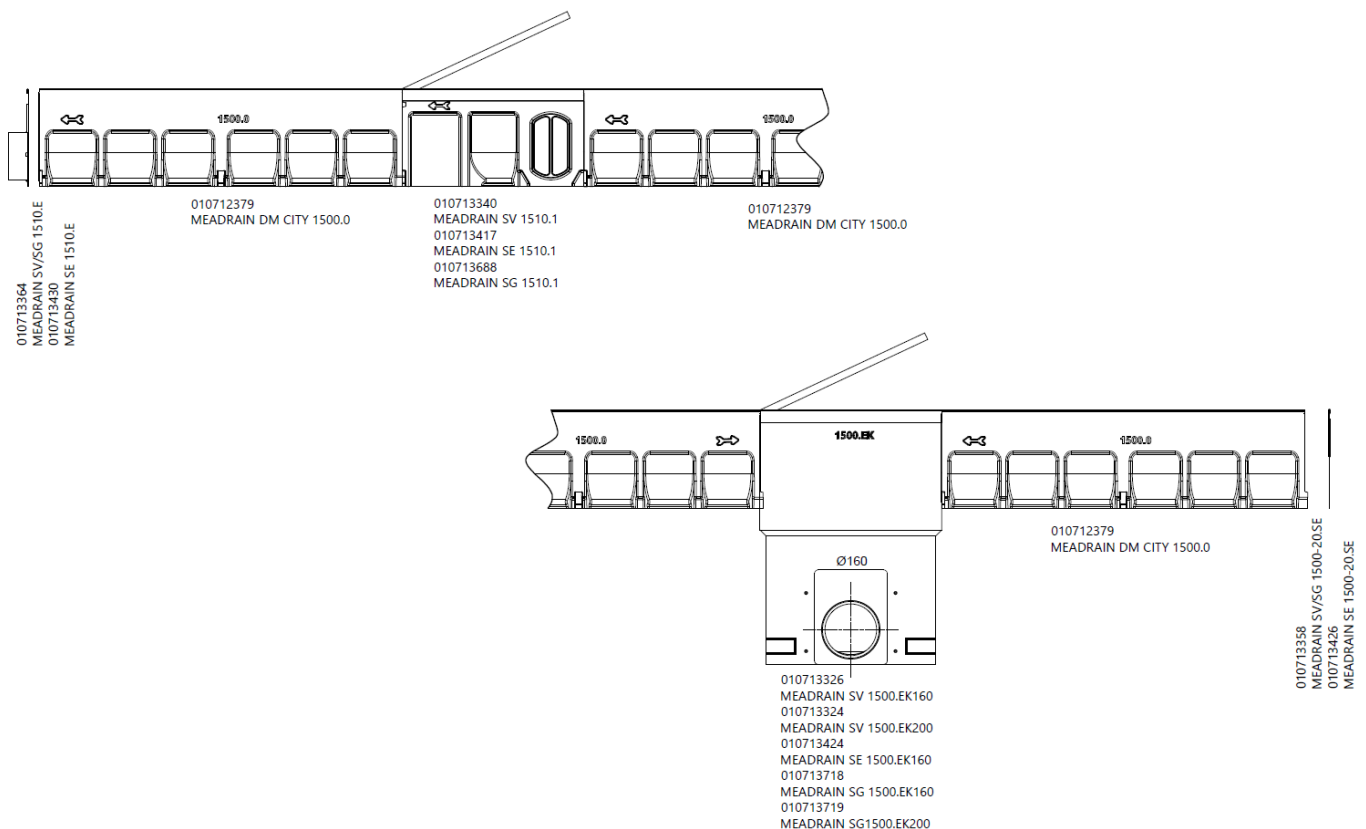
GRID HOOK

Designation	Ord. No.	Material	kg/unit
MEADRAIN/MEARIN Grid hook	010152115	Galv. steel	0,23

MEA 150 CLIPFIX ANTI-THEFT PROTECTION

Designation	Ord. No.	Material	kg/unit
MEA 150 CLIPFIX Anti-theft protection, bolt fixing required, 10 Pack	010714707	Stainl. steel, Plastic	1,20

MEADRAIN DM CITY 1500 SYSTEM OVERVIEW



This edition of the technical data sheet shall be valid from August 2022 until a revised version is published and replaces any previous publications. The respectively current version is available for download at www.mea-group.com.

MEA Bautechnik GmbH
 Business unit MEA Water Management
 Sudetenstraße 1
 86551 Aichach
 Tel.: +49 (0) 82 51. 91 0
 Fax: +49 (0) 82 51. 91 13 06
 E-Mail: info@mea-group.com
www.mea-group.com