

Plastic light well MEAMULTINORM

can be walked on & accessible for traffic, depth: 40 cm. 60 cm. 70 cm

MATERIAL CHARACTERISTICS

LIGHT WELL BODY	GRP (UP-GF): glass-fibre reinforced polyester, mineral fillers, additives
TENSILE STRENGTH	65 N/mm ² (ISO 527)
BENDING STRENGTH	120 N/mm ² (ISO 14125)
BIEGE-E-MODUL	10,000 N/mm ² (ISO 14125)
COEFFICIENT OF LINEAR EXPANSION	1.5 – 2.0 x 10 ⁻⁴ 1/K
HEAT RESISTANCE	180°C continuous load, short-term up to 250°C
FROST RESISTANCE	-35 °C
WATER ABSORPTION	<0.1 % (ISO R178)
MATERIAL STRUCTURE	Capillary-free/UV-resistant
COLOUR	White (similar to RAL 9016 Traffic White)
FIRE PROTECTION CLASS	BII (F30)

PURPOSE OF USE




Plastic light well for most building situations, reinforced for soils that are difficult to compact (e.g. loam) and special applications (e.g. slopes) as well as an AQUA version against accumulating seepage water and groundwater.

DESIGNS

- / Depth 40 cm and 60 cm, each in:
 - Standard / Universal
 - + reinforced
 - + AQUA
- / Depth 70 cm
 - Standard / Universal
 - OR
 - Reinforced

ACCESSORIES

Gratings can be walked on (1.5 kN)

- / Mesh 30/10
 - / Mesh 30/30
 - / Expanded metal
 - / Ventilation cross-section
- | | | |
|---|---|---|
|  |  |  |
| Mesh 30/30 | Mesh 30/10 | Expanded metal |
| 85% | 80% | 75% |

Gratings car passable (9.0 kN wheel load)

- / Mesh 30/10 with edge protection

Installation thermal-bridge free

- / Insulated mounting panel MEAFIX
- / MEA Connect System

Light well heightening

- / Attachment element
- / PVC attachment MEAFLEX

Drainage connection (see table on page 3)

Light well cover

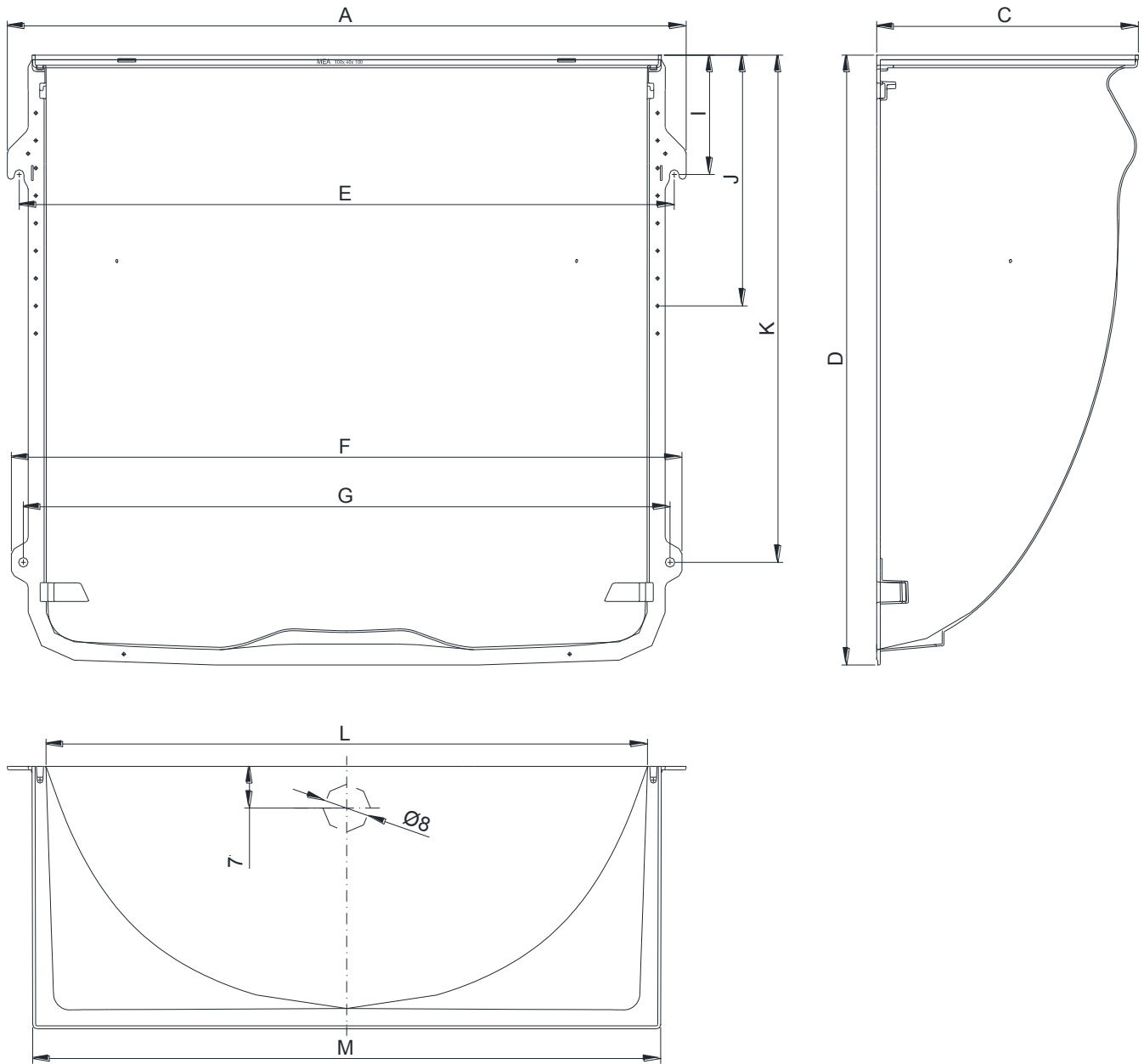
- / Protective grating MEATOP
- / MEACOVER
- / Glass cover MEACAPE

Plastic light well MEAMULTINORM

can be walked on & accessible for traffic, depth: 40 cm. 60 cm. 70 cm



BUILDING SUCCESS



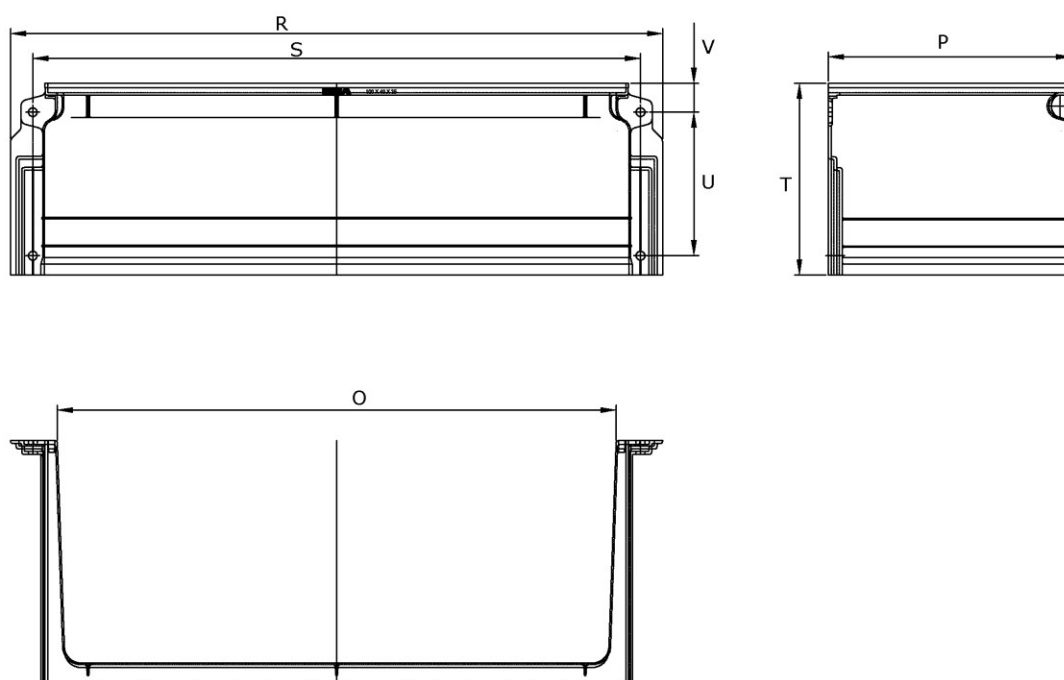
Plastic light well MEAMULTINORM

can be walked on & accessible for traffic, depth: 40 cm. 60 cm. 70 cm

Dimensions		Dimensions in cm											DR connection
W x H	T	A	C	D	E	F	G	I	J	K	L	M	
80x60	40	96.20	44.00	64.00	92.00	96.20	92.00	10.40	-	49.20	81.20	85.30	1)
80x100		96.20	44.00	103.70	92.00	96.20	92.00	15.40	-	79.20	81.20	85.70	1)
100x60		114.20	44.00	64.00	110.00	114.20	110.00	10.40	-	49.20	101.20	105.60	1)
100x100		114.20	44.00	102.20	110.20	112.80	108.80	20.00	-	85.00	101.20	105.70	1)
100x130		114.20	44.00	132.20	110.20	112.80	108.80	20.00	-	115.00	101.20	105.70	1)
125x100		144.20	44.00	104.00	140.00	144.20	140.00	15.70	-	79.50	126.20	130.60	1)
100x100	60	114.20	61.50	103.70	110.00	114.20	110.00	15.50	-	79.30	101.20	105.60	1)
125x100		144.20	61.50	104.00	140.00	144.20	140.00	15.70	-	79.50	126.20	130.70	1)
125x130		144.00	61.50	132.50	140.00	137.80	134.00	20.00	-	115.00	126.50	130.70	1)
150x120		169.20	61.70	124.00	165.00	169.20	165.00	15.70	-	94.50	151.20	155.80	1)
100x100	70	113.50	72.50	102.00	108.00	113.50	108.00	25.00	-	70.00	107.80	113.50	2)
125x100		138.50	72.50	102.00	133.00	138.50	133.00	25.00	-	70.00	132.60	138.50	2)
150x100		167.00	72.00	103.00	160.00	167.00	160.00	20.00	-	70.00	161.30	167.00	2)
150x150		167.50	72.40	153.50	160.00	167.50	160.00	20.00	55.00	115.00	161.30	167.50	2)
200x100		215.50	72.50	102.50	210.60	215.50	210.00	17.50	37.50	70.00	209.20	215.50	2)
200x150		215.50	72.50	152.50	210.60	215.50	210.00	17.50	57.50	115.00	209.40	215.50	2)

- 1) White drainage connection with dirt filter (round version DN70) optionally with odour barrier or MEASTOP PRO (DN100) optionally with backflow protection or closing part or closing plate
- 2) White drainage connection with dirt filter (segmental)

LIGHT WELL MEAMULTINORM



Plastic light well MEAMULTINORM

can be walked on & accessible for traffic, depth: 40 cm. 60 cm. 70 cm

Dimensions in cm							
W x H x D	O	P	R	S	T	U	V
80x35x40	81.20	44.00	96.00	92.00	35.00	26.00	5.20
100x35x40	101.20	44.00	118.00	110.00	35.00	26.00	5.20
100x35x60	101.20	61.50	118.00	110.00	35.00	26.00	6.00
125x35x40	126.20	44.00	148.00	140.00	35.00	26.00	5.50
125x35x60	126.20	61.50	148.00	140.00	35.00	26.00	5.50
150x35x60	151.20	61.50	173.00	165.00	35.00	26.00	5.50
100x35x70	104.00	72.50	above below	111.50 119.00	35.00	23.00	5.00
125x35x70	128.50	72.50	above below	136.00 142.50	35.00	23.00	5.00
150x54x70	159.00	72.50	above below	165.50 175.00	55.50	37.00	6.00