

**MATERIAL CHARACTERISTICS**

|  |  |
|--|--|
| <b>POLYMER CONCRETE</b>                | on a Polyester resin basis, with mineral fillers, additives          |
| <b>COMPRESSIVE STRENGTH</b>            | ≥ 90 N/mm <sup>2</sup>   |
| <b>BENDING STRENGTH</b>                | ≥ 22 N/mm <sup>2</sup>   |
| <b>ELASTICITY MODULE</b>               | 25,000 – 35,000 N/mm <sup>2</sup>                                    |
| <b>DENSITY</b>                         | 2,1 – 2,3 kg/dm <sup>3</sup>   |
| <b>COEFFICIENT OF LINEAR EXPANSION</b> | Approx. 1.45 x 10 <sup>-5</sup> 1/K                                  |
| <b>HEAT RESISTANCE</b>                 | 100°C continuous load, up to 200°C with a load duration up to 5 min. |
| <b>FROST RESISTANCE</b>                | - 50 °C  |
| <b>WATER PENETRATION LEVEL</b>         | 0 mm   |
| <b>WATER ABSORPTION</b>                | < 0.05% DIN 52 103 (A)   |
| <b>MATERIAL STRUCTURE</b>              | Capillary free   |

**PURPOSE OF USE**

Component for the line drainage of surfaces in order to collect, transport and discharge water from adjacent fixed surfaces. Especially suitable for use as a drainage channel but also as an evaporation channel in multi-storey car parks, underground garages, industrial plants, etc.

**DESIGN**

- / Length 1000 mm
- / Length 1000 mm including formed-in drain socket

**DRAINAGE PERFORMANCE**

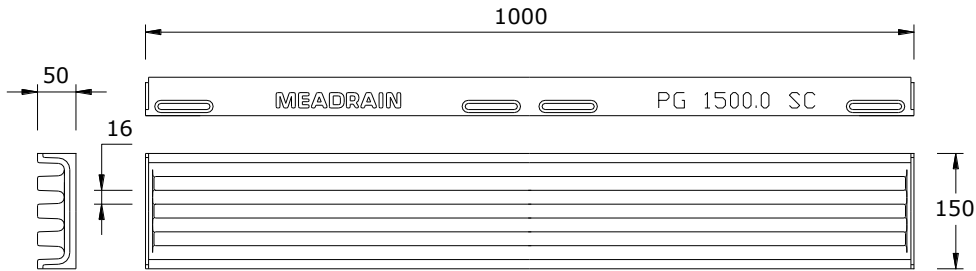
- / Drainage performance channel on the free outlet:  
0.4 l/s
- / Water absorption volumen: 2.25 l/m

**ACCESSORIES**

- / Drainage element incl. cover and dirt filter, with drain connection Ø 110 mm
- / Crossing element
- / End cap for channel
- / End cap for drain element
- / Joint cleaner
- / Joint cleaning shovel

## MULTI-STOREY CAR PARK CHANNEL MEADRAIN PG 1500 WITH SEALING JOINT ACCORDING TO EN 1433

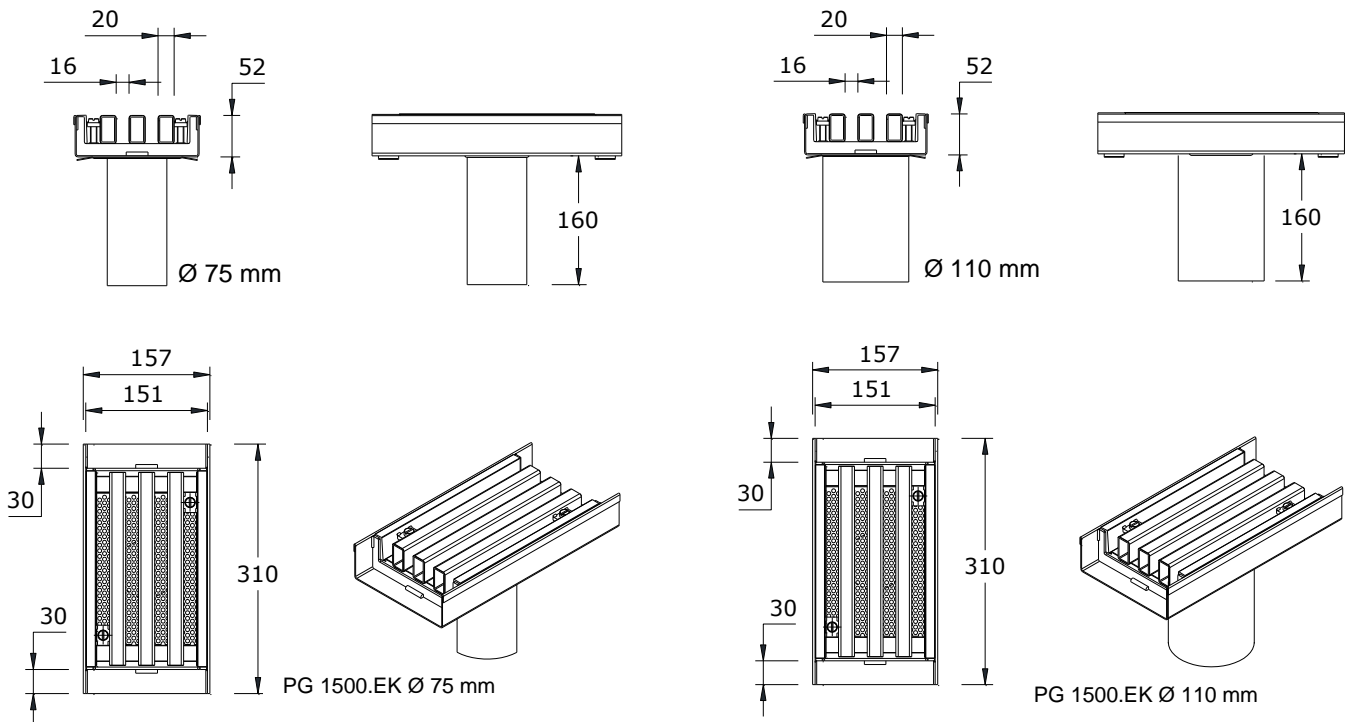
Monolithic flat polymer concrete channel with comb profile, without metal installation parts. Rattle-free since there are no loose parts. Slot widths according to EN 1433, pedestrian, wheelchair and bicycle friendly. Constructive width 150 mm. Drainage channel body without slope. Loading classes A 15 to C 250 according to EN 1433. Can be walked on and is accessible without additional cover. Load capacity according to specification, when installed according to the MEADRAIN installation information.



PG 1500.0

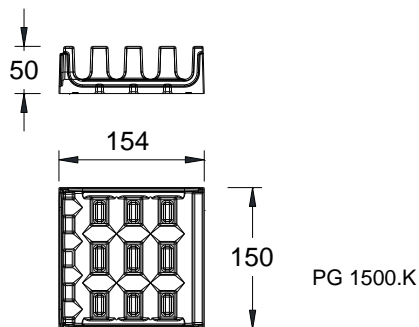
## FLAT CHANNEL BODY MEADRAIN PG 1500, LOADING CLASSES A 15 TO C 250

| Description        | Order No. 010... | Length [mm] | Constructive height [mm] | kg/piece |
|--------------------|------------------|-------------|--------------------------|----------|
| MEADRAIN PG 1500.0 | 155595           | 1000        | 50                       | 11,40    |



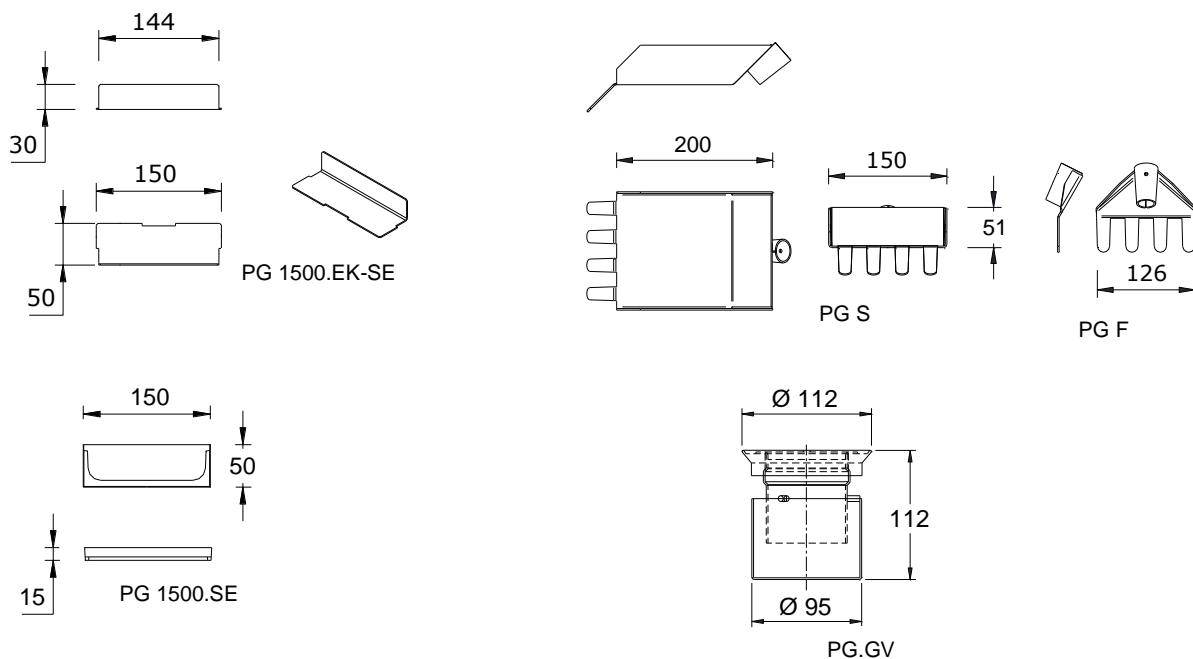
## DRAINAGE ELEMENT FOR MEADRAIN PG 1500

| Description  | Order No. 010... | Length [mm] | Constructive height in mm | kg/piece |
|--|------------------|-------------|---------------------------|----------|
| MEADRAIN PG 1500.EK Drain made of stainless steel V2A including cover and dirt filter, with pipe connection option Ø 110mm | 155616           | 310         | 56                        | 5,30     |
| MEADRAIN PG 1500.EK Drain made of stainless steel V2A including cover and dirt filter, with pipe connection option Ø 75mm  | 155590           | 310         | 56                        | 5,20     |



## CORNER ELEMENT FOR MEADRAIN PG 1500

| Description   | Order No. 010.... | Material           | kg/piece |
|---|-------------------|--------------------|----------|
| MEADRAIN PG 1500.K Corner element to achieve 90° corner and T connections | 155580            | Casting galvanized | 4,90     |



## END CAPS AND ACCESSORIES FOR MEADRAIN PG 1500

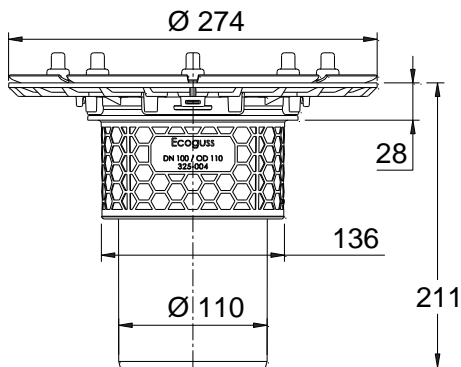
| Description  | Order No. 010.... | Material         | kg/piece |
|--|-------------------|------------------|----------|
| MEADRAIN PG 1500.SE End cap for the beginning and end of channels                | 155599            | Polymer concrete | 0,20     |
| MEADRAIN PG 1500.EK-SE End cap for drain element MEADRAIN PG 1500.EK             | 155586            | Stainless steel  | 0,10     |
| MEADRAIN PG.GV Odour trap V2A.<br>Suitable for PG 1500.EK drain element Ø 110 mm | 141812            | Stainless steel  | 0,45     |
| MEADRAIN PG F Joint cleaner*   | 155596            | Stainless steel  | 0,60     |
| MEADRAIN PG S Joint cleaner shovel*  | 155594            | Stainless steel  | 1,20     |

\* not suitable for MEADRAIN PG 1000

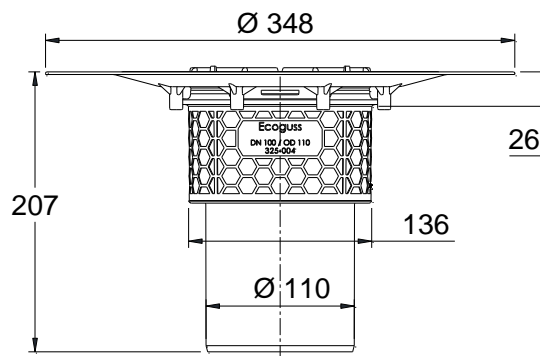
## SEALANTS AND PRIMERS FOR PG CAR PARK CHANNELS

| Description  | Order No. 010.... | Material          | kg/piece |
|--|-------------------|-------------------|----------|
| SABA MS Floor sealant for multi-storey car park applications, 600 ml in a bag, stable            | 152708            | MS polymer base   | 0,84     |
| SABA MS Floor SL sealant for multi-storey car park applications, 600 ml in a bag, self-levelling | 152710            | MS polymer base I | 0,84     |
| SABA Joint Cleaner solvent 48,1 liter, cleaner for adhesive flanks                               | 155807            | -                 | 0,81     |
| SABA Primer 9102, 1 liter  | 155803            | Silane basis      | 0,90     |

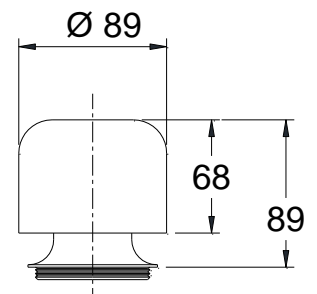
## MEA PG FLOOR/CEILING DRAINS



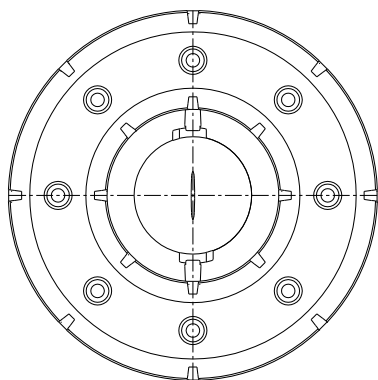
MEA PG COMPRESSION-SEALING FLANGE



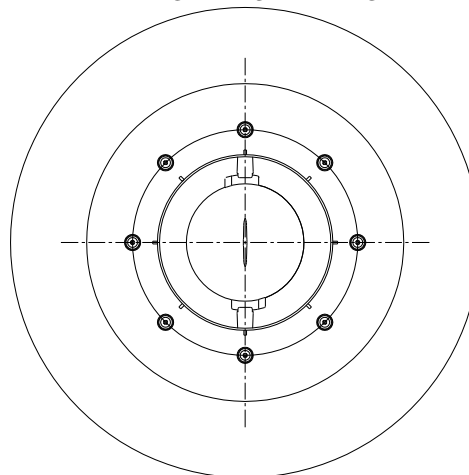
MEA PG ADHESIVE FLANGE



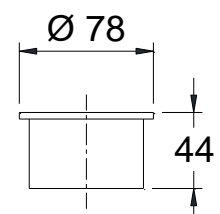
MEA PG.GV ODOUR TRAP



FLANGE DRAIN



FLANGE DRAIN



MEA PG FIRE KIT

| Designation   | Order No.<br>010... | Material                            | kg/item |
|---|---------------------|-------------------------------------|---------|
| <b>For installation with mastic asphalt:</b><br>MEA PG pressed gasket flange drain. Floor/ceiling drain eco die-cast,<br>Outside-Ø 274 mm, incl. mortar barrier.<br>Connection option for vertical drain Ø 110 mm.<br>Optionally prepared for fire protection Fire-kit and/or odour trap. | 141816              | Eco die-cast,<br>stainless<br>steel | 2,00    |
| <b>For installation with OS coatings:</b><br>MEA PG adhesive flange drain. Floor/ceiling drain Ecoguss,<br>Outside-Ø 348 mm, incl. mortar barrier.<br>Connection option for vertical drain Ø 110 mm.<br>Optionally prepared for fire protection Fire-kit and/or odour trap.               | 141818              | Eco die-cast,<br>plastic            | 1,20    |
| MEA PG.GV odour trap suitable for floor/ceiling drains eco die-cast with pressure seal or adhesive flange, drain Ø 110 mm.  | 141820              | Plastic                             | 0,20    |
| MEA PG Fire-Kit, suitable for floor/ceiling drains eco die-cast, drain Ø 110 mm.<br>In conjunction with eco die-cast drains, fire resistance class R120 with DIBT approval Z-19.17-1719   | 141822              | Plastic<br>Stainless<br>steel       | 0,20    |

This edition of the technical data sheet shall be valid from October 2021 until a revised version is published and replaces any previous publications. The respectively current version is available for download at [www.mea-group.com](http://www.mea-group.com).

MEA Bautechnik GmbH  
 Business Unit MEA Water Management  
 Sudetenstraße 1  
 86551 Aichach  
 Tel.: +49 (0) 82 51. 91 0  
 Fax: +49 (0) 82 51. 91 13 06  
 E-Mail: [info@mea-group.com](mailto:info@mea-group.com)  
[www.mea-group.com](http://www.mea-group.com)