

## MATERIAL CHARACTERISTICS

<b>POLYMER CONCRETE</b>	on a Polyester resin basis, with mineral fillers, additives
<b>COMPRESSIVE STRENGTH</b>	≥ 90 N/mm <sup>2</sup>
<b>BENDING STRENGTH</b>	≥ 22 N/mm <sup>2</sup>
<b>ELASTICITY MODULE</b>	25,000 – 35,000 N/mm <sup>2</sup>
<b>DENSITY</b>	2,1 – 2,3 kg/dm <sup>3</sup>
<b>COEFFICIENT OF LINEAR EXPANSION</b>	Approx. 1.45 x 10 <sup>-5</sup> 1/K
<b>HEAT RESISTANCE</b>	100°C continuous load, up to 200°C with a load duration up to 5 min.
<b>FROST RESISTANCE</b>	- 50 °C
<b>WATER PENETRATION LEVEL</b>	0 mm
<b>WATER ABSORPTION</b>	< 0,05% DIN 52 103 (A)
<b>MATERIAL STRUCTURE</b>	Capillary free

## PURPOSE OF USE

Component for the line drainage of surfaces in order to collect, transport and discharge rainwater from adjacent fixed surfaces.

## DESIGN

- / Length 500 and 1000 mm
- / Length 1000 mm including formed-in drain socket
- / Constructive height 400 and 760 mm

## EDGE PROTECTION

- / Cast iron GG KTL coated

## FREE DRAINAGE CHANNEL CROSS SECTION

- / MEADRAIN ENS 3000.0: 970 cm<sup>2</sup>
- / MEADRAIN ENS 3070.0: 1870 cm<sup>2</sup>

## ACCESSORIES

- / Sediment bucket top part for constructive height 400 mm
- / Sediment bucket intermediate part
- / Sediment bucket short bottom part with integrated drain socket Ø 160 mm and 200 mm
- / Sediment bucket short lower part with moulding for drains Ø 160 and 200 mm, without DIBt approval
- / Sediment bucket deep lower part with moulding for drains Ø 160 and 200 mm, without DIBt approval
- / Sludge bucket short for sediment bucket upper part with sediment bucket lower part
- / Sludge bucket long for sediment bucket upper part with gully intermediate part and sediment bucket lower part
- / End cap closed for all constructive heights
- / End cap with connection piece Ø 250 mm for constructive height 760 mm

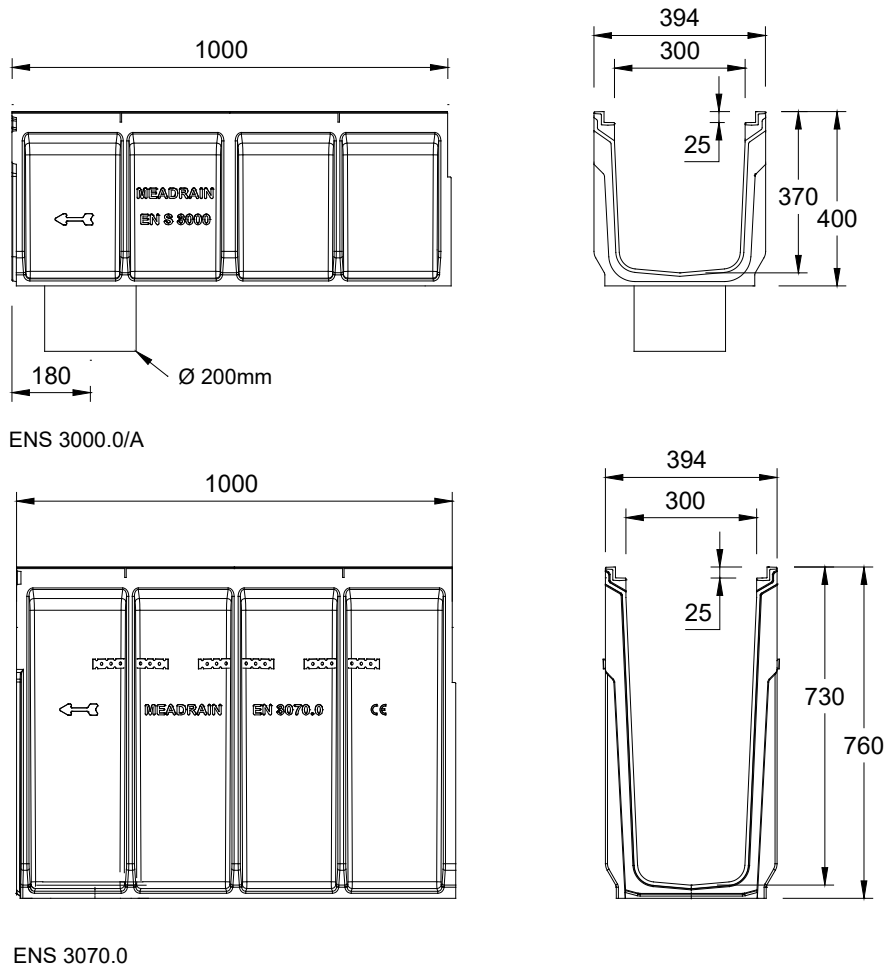
\*\* Not suitable for the diagonal or transverse travel of motorways and highways.

# MEADRAIN ENS 3000 and ENS 3070

A 15, B 125, C 250, D 400\*\*, E 600\*\*, F 900\*\* nominal width 300

## MEADRAIN ENS 3000 AND ENS 3070 POLYMER CONCRETE DRAINAGE CHANNEL WITH AN INTEGRATED DUCTILE IRON FRAME AND SEALING JOINT ACCORDING TO EN 1433

Clear width of the drainage channel body 300 mm, total width 394 mm. Suitable for channel covers **MEA ENS 300 PROFIX** and **MEA ENS 300 4-fold bolted**. For the realization of water level slopes. Loading classes, A 15 to F 900\*\* according to EN 1433. Load capacity according to specification, when installed according to the MEA installation instructions. General Building Authority Approval Z - 74.4 – 28



### MEADRAIN ENS 3000 / 3070 DRAINAGE CHANNEL BODY WITHOUT SLOPE, LOADING CLASSES A 15 TO F 900\*\* ACCORDING TO EN 1433

Designation	Ord. No.	Length [mm]	Height [mm]	kg/unit
MEADRAIN ENS 3000.0 Drainage channel body <sup>6)</sup>	010153751	1000	400	67,07
MEADRAIN ENS 3000.0/A Drainage channel body with tight formed-in flanged drain socket Ø 200 mm <sup>10)</sup>	010153753	1000	400	67,00
MEADRAIN ENS 3000.1 Drainage channel body <sup>6)</sup>	010153755	500	400	32,30
MEADRAIN ENS 3070.0 Drainage channel body <sup>6)</sup>	010712401	1000	760	107,00
MEADRAIN ENS 3070.0/A Drainage channel with tight formed-in flanged drain socket Ø 200 mm <sup>10)</sup>	010712403	1000	760	109,30
MEADRAIN ENS 3070.1 Drainage channel body <sup>6)</sup>	010712399	500	760	51,00

\*\* Not suitable for the diagonal or transverse travel of motorways and highways.

6) Connection option for vertical drain Ø 200 mm (drainage deformation), end caps with connector or to gullies/silt boxes.

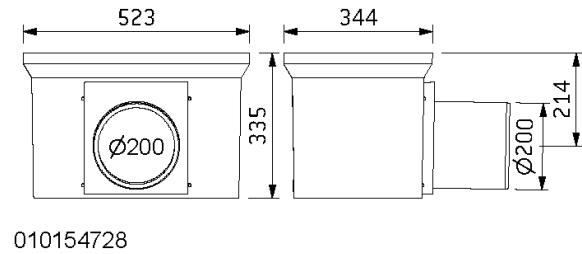
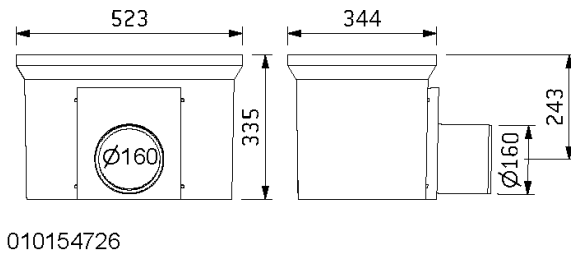
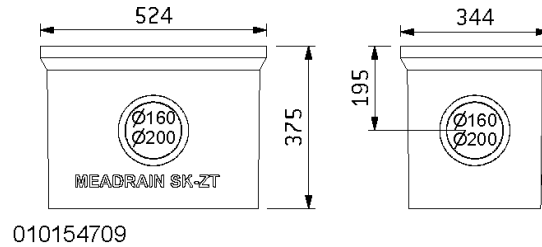
10) With formed-in flanged drain socket Ø 200 mm.

# MEADRAIN ENS 3000 and ENS 3070

A 15, B 125, C 250, D 400\*\*, E 600\*\*, F 900\*\* nominal width 300

## MEADRAIN ENS 3000 AND ENS 3070 ACCESSORIES

General Building Authority Approval Z - 74.4 – 28



## MEADRAIN ENS 3000 GULLIES\*\*

Designation	Ord. No.	Length [mm]	Height [mm]	kg/unit
MEADRAIN ENS 3000.SK-OT gully upper part only for connection to ENS 3000, not suitable for ENS 3070 channels	010153773	500	550	60,30
MEA SK-ZT gully intermediate part made of polymer concrete for a height extension	010154709	524	375	22,00
MEA SK-UT short Gully lower part, with integrated drain socket $\varnothing$ 160 mm	010154726	524	335	25,16
MEA SK-UT short Gully lower part, with integrated drain socket $\varnothing$ 200 mm	010154728	524	335	27,00
MEA Gully plastic Sediment bucket, short. For gully with gully upper and lower part.	010154714	-	-	1,90
MEA Gully plastic Sediment bucket, long. For gully with gully upper, intermediate and lower part.	010154718	-	-	2,50

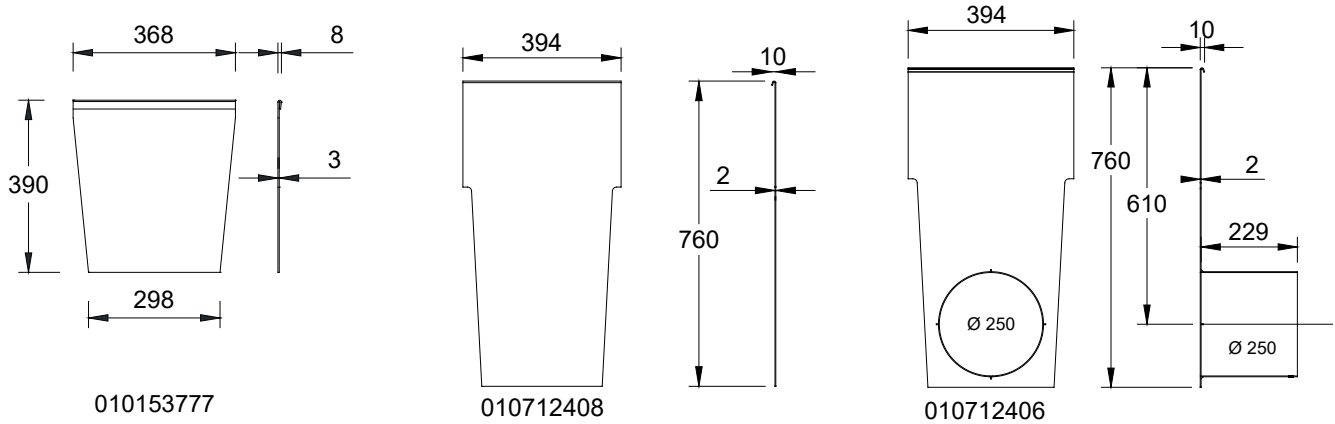
\*\* Not suitable for the diagonal or transverse travel of motorways and highways.

# MEADRAIN ENS 3000 and ENS 3070

A 15, B 125, C 250, D 400\*\*, E 600\*\*, F 900\*\* nominal width 300

## MEADRAIN ENS 3000 AND ENS 3070 ACCESSORIES

General Building Authority Approval Z - 74.4 – 28



## END CAPS AND ACCESSORIES FOR MEADRAIN ENS 3000 / 3070

Designation	Ord. No.	Material	kg/unit
MEADRAIN ENS 3000.SE End cap for channel start/end	010153777	Galv. steel	3,24
MEADRAIN ENS 3070.SE End cap for channel start/end	010712408	Galv. steel	6,75
MEADRAIN ENS 3070.E End cap for the end of the channel with HD-PE connector Ø 250 mm, suitable for channel ENS 3070	010712406	Galv. steel	4,20

## JOINTING COMPOUNDS FOR STANDARD APPLICATIONS \*\*\*

Designation	Ord. No.	Material	kg/unit
SABA MS Floor GREY sealant 600 ml in a bag, stable	010152708	MS Polymer basis	0,88
SABA Primer 9102 for undercoat, 1 liter	010155803	Silane basis	0,92
Joint Cleaner solvent 48, 1 liter, Cleaner for adhesive flanks	010155807	-	0,84
Dispensing gun for 600 ml bags	010152707	-	0,63

\*\* Not suitable for the diagonal or transverse travel of motorways and highways.

\*\*\* For watertight mounting of drainage channels (only for channels transporting rainwater). Not suitable for installation in LAU facilities, gas stations or similar constructions.

This edition of the technical data sheet shall be valid from September 2021 until a revised version is published and replaces any previous publications. The respectively current version is available for download at [www.mea-group.de/entwaesserung](http://www.mea-group.de/entwaesserung).

MEA Bautechnik GmbH  
 Business Unit MEA Water Management  
 Sudetenstraße 1  
 86551 Aichach  
 Tel.: +49 (0) 82 51. 91 0  
 Fax: +49 (0) 82 51. 91 13 06  
 E-Mail: [info@mea-group.com](mailto:info@mea-group.com)  
[www.mea-group.com](http://www.mea-group.com)