

**MATERIAL CHARACTERISTICS**

<b>FIBERGLASS COMPOSITE</b>	glass-fibre-reinforced polyester, mineral fillers, additives
<b>TENSILE STRENGTH</b>	65 N/mm <sup>2</sup> (ISO 527)
<b>BENDING STRENGTH</b>	120 N/mm <sup>2</sup> (ISO 14125)
<b>ELASTICITY MODULE</b>	10,000 N/mm <sup>2</sup> (ISO 14125)
<b>DENSITY</b>	2.0 g/cm <sup>3</sup> (ISO 1172)
<b>COEFFICIENT OF LINEAR EXPANSION</b>	1.5 - 2.0 x 10 <sup>-5</sup> 1/K
<b>HEAT RESISTANCE</b>	100°C continuous load, up to 240°C with a load duration up to 110 min.
<b>FROST RESISTANCE</b>	-35°C
<b>WATER PENETRATION LEVEL</b>	0 mm
<b>WATER ABSORPTION</b>	0,078 % (EN ISO 62:2008-05 Procedure 1)
<b>MATERIAL STRUCTURE</b>	Capillary free

**PURPOSE OF USE**

Component for the line drainage of surfaces in order to collect, transport and discharge rainwater from adjacent fixed surfaces.

**VERSIONS**

/ Length 1000 mm

**EDGE PROTECTION**

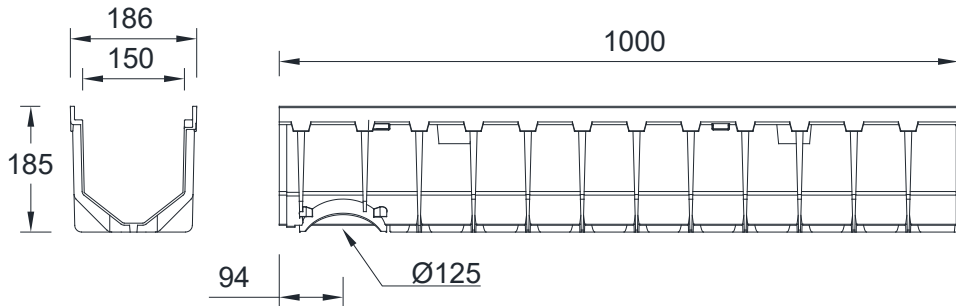
/ Glass-fibre-reinforced composite

**ACCESSORIES**

- / Inlet box
- / End cap closed
- / End cap with lateral pipe connection Ø 110 mm
- / Vertical drain socket Ø 125 mm

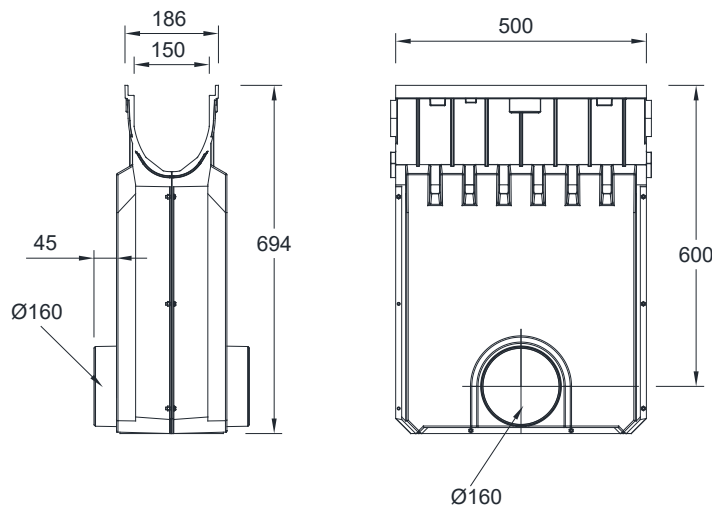
**MEAFUID 150 DRAINAGE CHANNEL WITH A GLASS-FIBRE COMPOSITE EDGE**

Drainage channel made of glass-fibre-reinforced composite. Clear width 150 mm, total width 186 mm. For the realization of water level slopes. Loading classes A 15 to C 250 according to EN 1433. Suitable for all channel covers with non-bolted CLIPFIX channel securement. Load capacity according to specification when installed according to the MEA installation instructions.



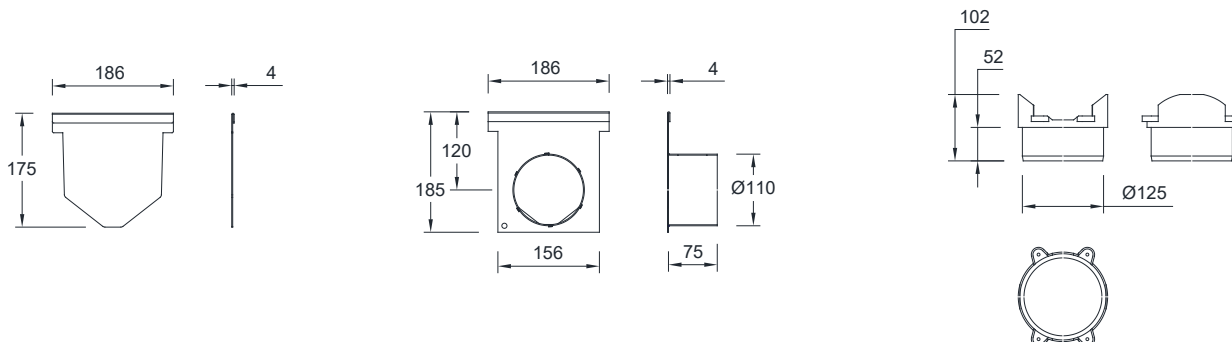
**MEAFUID 150 DRAINAGE CHANNEL BODY WITHOUT FALL, LOADING CLASSES A 15 TO C 250 ACCORDING TO EN 1433**

Designation	Ord. No.	Length [mm]	Height [mm]	kg/unit
MEAFUID 150.0 GREY drainage channel body, 1 m	010145102	1000	185	4,30



**MEAFUID 150 GULLY WITHOUT DRAINAGE CHANNEL COVER, WITH SEDIMENT BUCKET\*\***

Designation	Ord. No.	Length [mm]	Height [mm]	kg/unit
MEAFUID 150.EK gully with pipe connector Ø 160 mm, incl. sediment bucket	010145112	500	694	7,00



## END CAPS AND CONNECTION ACCESSORIES FOR MEAFLUID 150

Designation	Ord. No.	Material	kg/unit
MEAFLUID 150.SE End cap for channel start/end	010145116	PP	0,32
MEAFLUID 150.E End cap with lateral pipe connection Ø 110 mm	010145114	PP	0,62
MEAFLUID 150 Vertical connector Ø 125 mm	010145113	PP	0,09

\*\* Not suitable for diagonal or transverse travel of motorways and highways.

This edition of the technical data sheet shall be valid from September 2021 until a revised version is published and replaces any previous publications. The respectively current version is available for download at [www.mea-group.com](http://www.mea-group.com).

MEA Bautechnik GmbH  
 Business Unit MEA Water Management  
 Sudetenstraße 1  
 86551 Aichach  
 Tel.: +49 (0) 82 51. 91 0  
 Fax: +49 (0) 82 51. 91 13 06  
 E-Mail: [info@mea-group.com](mailto:info@mea-group.com)  
[www.mea-group.com](http://www.mea-group.com)