

MEA 300 CLIPFIX CHANNEL COVERS

A 15, B 125, C 250, D 400**, E 600**

CW 300



BUILDING SUCCESS

PURPOSE OF USE

Channel covers for MEA drainage channels, as part of a drainage system to catch, transport and evacuate rainwater from adjoining surfaces.

VERSIONS

Material

- / Galvanised steel
- / Ductile iron

Design

- / Slotted grating
- / Mesh grating
- / WAVE grating
- / Closed grating

ACCESSORIES

- / Grid hook

** Not suitable for the diagonal or transverse travel of motorways and highways.

MEA 300 CLIPFIX CHANNEL COVERS

A 15, B 125, C 250, D 400**, E 600**

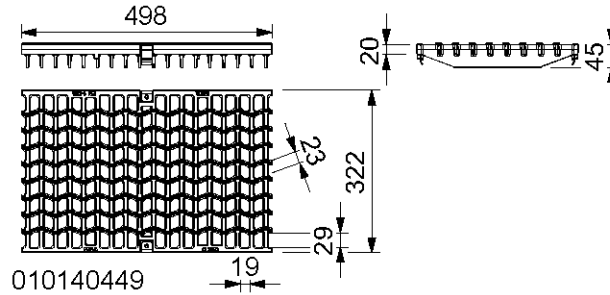
CW 300



BUILDING SUCCESS

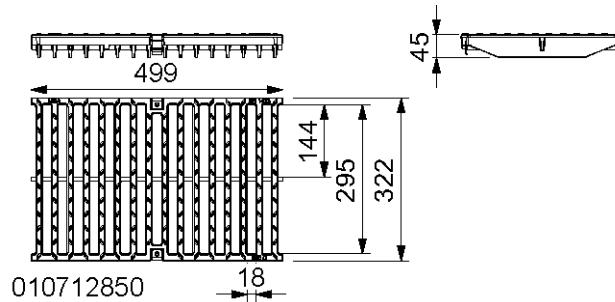
MEA 300 CLIPFIX CHANNEL COVERS

With non-bolted CLIPFIX channel cover securement, with longitudinal shift protection. Suitable for **MEARIN PLUS/EXPERT 300** and **MEADRAIN SV/SE/SG 3000**. For channel body and gully, total width of grates 322 mm.



MEA 300 CLIPFIX, WAVE-GRATING 17/29, LOADING CLASS C 250 ACCORDING TO EN 1433

Description	Ord. No.	Material	Length [mm]	Inlet sect. area Ø cm ² /m	kg/unit
MEA 300 ductile iron WAVE grating-C 250-0,5 m 17/29 CXL	010140449	Ductile Iron	500	1780	15,50



MEA 300 CLIPFIX, SLOTTED GRATING 18/295, LOADING CLASS C 250 ACCORDING TO EN 1433

Description	Ord. No.	Material	Length [mm]	Inlet sect. area Ø cm ² /m	kg/unit
MEA 300 Ductile iron slotted grating-C 250-0,5 m 18/295 CXL	010712850	Ductile Iron	500	1620	13,30

The surface coating of ductile iron parts only has a temporary and cosmetic function. Ductile iron is virtually impervious to surface oxidation from environmental influences (e.g. thawing salt). Superficial rust does not constitute a product defect. Of course, the resignation of surface coating is in accordance with all corresponding standards.

** Not suitable for the diagonal or transverse travel of motorways and highways.

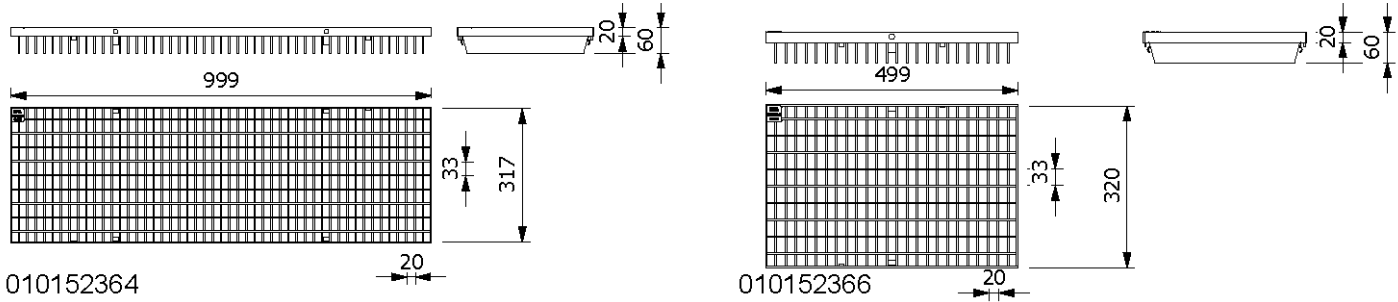
MEA 300 CLIPFIX CHANNEL COVERS

A 15, B 125, C 250, D 400**, E 600**

CW 300

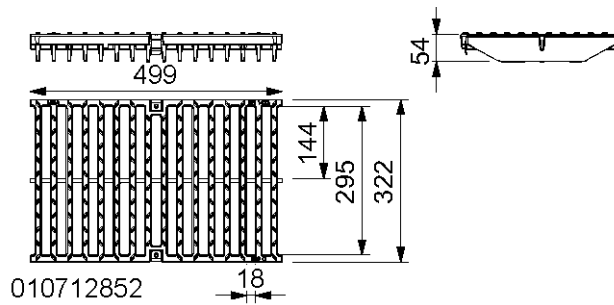
MEA 300 CLIPFIX CHANNEL COVERS

With non-bolted CLIPFIX channel cover securement, with longitudinal shift protection. Suitable for **MEARIN PLUS/EXPERT 300** and **MEADRAIN SV/SE/SG 3000**. For channel body and gully, total width of grates 322 mm.



MEA 300 CLIPFIX, MESH GRATING 20/30, LOADING CLASS C 250 ACCORDING TO EN 1433

Description	Ord. No.	Material	Length [mm]	Inlet sect. area Ø cm ² /m	kg/unit
MEA 300 Galv.Mesh grating-C 250-1 m 20/30 CXL	010152364	Galv. steel	1000	2265	31,15
MEA 300 Galv.Mesh grating-C 250-0,5 m 20/30 CXL	010152366	Galv. steel	500	2220	16,74



MEA 300 CLIPFIX, SLOTTED GRATING 18/295, LOADING CLASS D 400** ACCORDING TO EN 1433

Description	Ord. No.	Material	Length [mm]	Inlet sect. area Ø cm ² /m	kg/unit
MEA 300 Ductile iron slotted grating-D 400-0,5 m 18/295 CXL	010712852	Ductile Iron	500	1620	16,70

The surface coating of ductile iron parts only has a temporary and cosmetic function. Ductile iron is virtually impervious to surface oxidation from environmental influences (e.g. thawing salt). Superficial rust does not constitute a product defect. Of course, the resignation of surface coating is in accordance with all corresponding standards.

** Not suitable for the diagonal or transverse travel of motorways and highways.

MEA 300 CLIPFIX CHANNEL COVERS

A 15, B 125, C 250, D 400**, E 600**

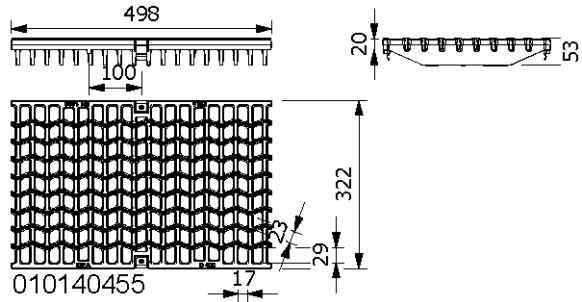
CW 300



BUILDING SUCCESS

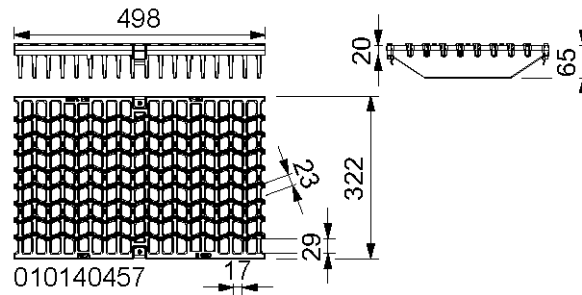
MEA 300 CLIPFIX CHANNEL COVERS

With non-bolted CLIPFIX channel cover securement, with longitudinal shift protection. Suitable for **MEARIN PLUS/EXPERT 300** and **MEADRAIN SV/SE/SG 3000**. For channel body and gully, total width of grates 322 mm.



MEA 300 CLIPFIX, WAVE-GRATING 17/29, LOADING CLASS D 400** ACCORDING TO EN 1433

Description	Ord. No.	Material	Length [mm]	Inlet sect. area Ø cm ² /m	kg/unit
MEA 300 ductile iron WAVE grating-D-0,5 m 17/29 CXL	010140455	Ductile Iron	500	1780	18,90



MEA 300 CLIPFIX, WAVE-GRATING 17/29, LOADING CLASS E 600** ACCORDING TO EN 1433

Description	Ord. No.	Material	Length [mm]	Inlet sect. area Ø cm ² /m	kg/unit
MEA 300 ductile iron WAVE grating-E-0,5 m 17/29 CXL	010140457	Ductile Iron	500	1780	23,00

The surface coating of ductile iron parts only has a temporary and cosmetic function. Ductile iron is virtually impervious to surface oxidation from environmental influences (e.g. thawing salt). Superficial rust does not constitute a product defect. Of course, the resignation of surface coating is in accordance with all corresponding standards.

** Not suitable for the diagonal or transverse travel of motorways and highways.

MEA 300 CLIPFIX CHANNEL COVERS

A 15, B 125, C 250, D 400**, E 600**

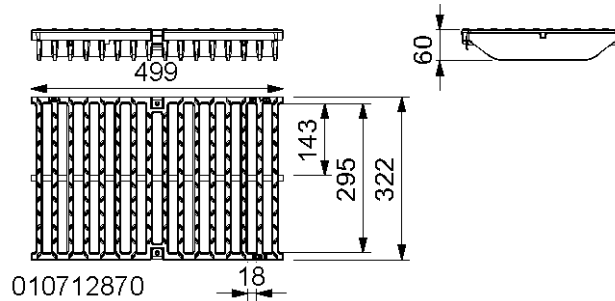
CW 300



BUILDING SUCCESS

MEA 300 CLIPFIX CHANNEL COVERS

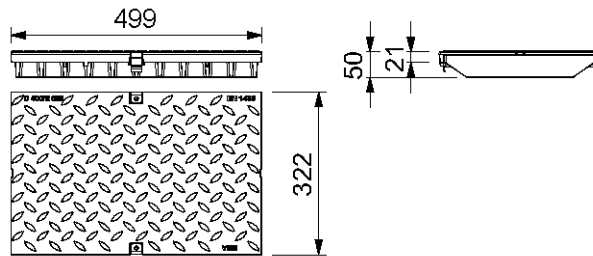
With non-bolted CLIPFIX channel cover securement, with longitudinal shift protection. Suitable for **MEARIN PLUS/EXPERT 300** and **MEADRAIN SV/SE/SG 3000**. For channel body and gully, total width of grates 322 mm.



010712870

MEA 300 CLIPFIX, SLOTTED GRATING 18/295, LOADING CLASS E 600** ACCORDING TO EN 1433

Description	Ord. No.	Material	Length [mm]	Inlet sect. area Ø cm ² /m	kg/unit
MEA 300 Ductile iron slotted grating-E 600-0,5 m 18/295 CXL	010712870	Ductile Iron	500	1620	19,10



010712853

MEA 300 CLIPFIX, CLOSED GRATING, LOADING CLASS E 600** ACCORDING TO EN 1433

Description	Ord. No.	Material	Length [mm]	kg/unit
MEA 300 Ductile iron closed grating-E 600-0,5 m CXL	010712853	Ductile iron	500	19,79

GRID HOOK

Description	Ord. No.	Material	kg/unit
MEADRAIN / MEARIN Grid hook	010152115	Galv. steel	0,23

The surface coating of ductile iron parts only has a temporary and cosmetic function. Ductile iron is virtually impervious to surface oxidation from environmental influences (e.g. thawing salt). Superficial rust does not constitute a product defect. Of course, the resignation of surface coating is in accordance with all corresponding standards.

** Not suitable for the diagonal or transverse travel of motorways and highways.

This edition of the technical data sheet shall be valid from March 2021 until a revised version is published and replaces any previous publications. The respectively current version is available for download at www.mea-group.com.

MEA Bautechnik GmbH
 Business Unit Water Management
 Sudetenstraße 1
 86551 Aichach
 Tel.: +49 (0) 82 51. 91 0
 Fax: +49 (0) 82 51. 91 13 06
 E-Mail: info@mea-group.com
www.mea-group.com