

**MATERIAL CHARACTERISTICS**

<b>POLYMER CONCRETE</b>	on a Polyester resin basis, with mineral fillers, additives
<b>COMPRESSIVE STRENGTH</b>	≥ 90 N/mm <sup>2</sup>
<b>BENDING STRENGTH</b>	≥ 22 N/mm <sup>2</sup>
<b>ELASTICITY MODULE</b>	25,000 – 35,000 N/mm <sup>2</sup>
<b>DENSITY</b>	2,1 – 2,3 kg/dm <sup>3</sup>
<b>COEFFICIENT OF LINEAR EXPANSION</b>	Approx. 1.45 x 10 <sup>-5</sup> 1/K
<b>HEAT RESISTANCE</b>	100°C continuous load, up to 200°C with a load duration up to 5 min.
<b>FROST RESISTANCE</b>	- 50 °C
<b>WATER PENETRATION LEVEL</b>	0 mm
<b>WATER ABSORPTION</b>	< 0.05%
<b>MATERIAL STRUCTURE</b>	Capillary free

**PURPOSE OF USE**

Component for the line drainage of surfaces in order to collect, transport and discharge water from adjacent fixed surfaces. Especially suitable for use as a drainage channel and evaporation channel in multi-storey car parks and underground garages.

**DESIGN**

- / Length 1000 mm
- / Length 1000 mm including formed-in drain socket

**DRAINAGE PERFORMANCE**

- / Drainage performance channel on the free outlet:  
0.2 l/s
- / Water absorption volumen: 1.46 l/m

**ACCESSORIES**

- / Drainage element incl. cover and dirt filter, with drain connection Ø 75 mm
- / Crossing element
- / End cap for channel
- V2A end cap for drain element

# MEADRAIN PG 1000

A 15, B 125, C 250

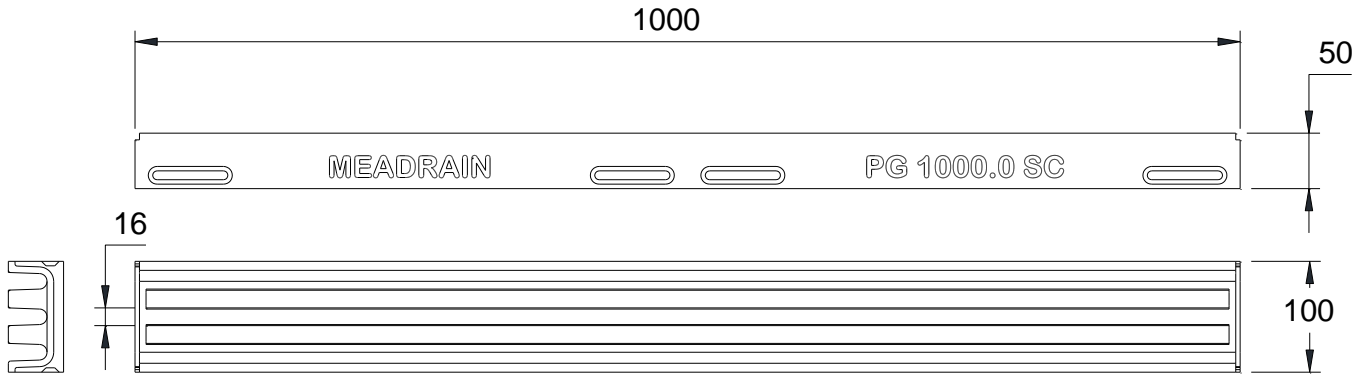
nominal width 100



BUILDING SUCCESS

## MULTI-STOREY CAR PARK CHANNEL MEADRAIN PG 1000 WITH SEALING JOINT ACCORDING TO EN 1433

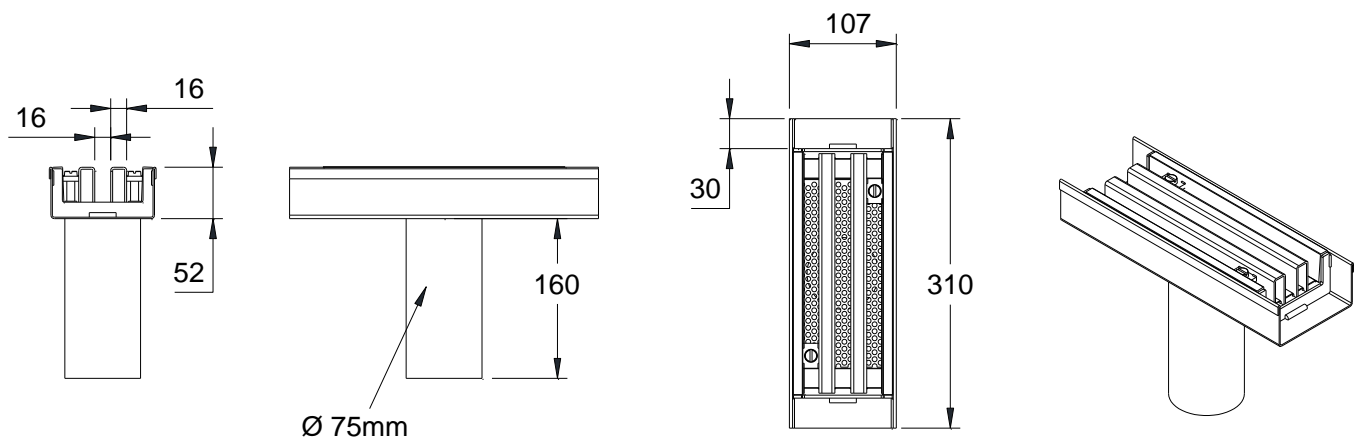
Monolithic flat polymer concrete channel with comb profile, without metal installation parts. Rattle-free since there are no loose parts. Slot widths according to EN 1433, pedestrian, wheelchair and bicycle friendly. Constructive width 100 mm. Drainage channel body without slope. Loading classes A 15 to C 250 according to EN 1433. Can be walked on and is accessible without additional cover. Load capacity according to specification, when installed according to the MEA installation information.



MEADRAIN PG 1000.0  
Multi-storey car park channel

## FLAT CHANNEL BODY MEADRAIN PG 1000, LOADING CLASSES A 15 TO C 250

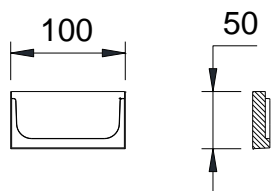
Description	Order No. 010...	Length [mm]	Constructive height [mm]	kg/piece
MEADRAIN PG 1000.0	155602	1000	50	7,10



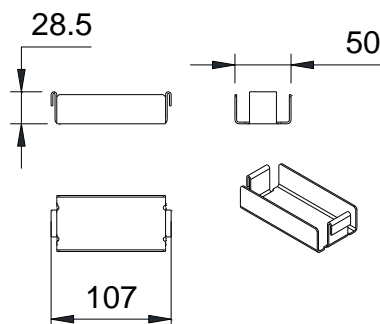
MEADRAIN PG 1000.EK  
Drainage element V2A

## DRAINAGE ELEMENT FOR MEADRAIN PG 1000

Description	Order No. 010...	Length [mm]	Constructive height [mm]	kg/piece
MEADRAIN PG 1000.EK Drain made of stainless steel V2A including cover and dirt filter, with pipe connection option Ø 75mm	155582	310	52	3,70



MEADRAIN PG 1000.SE  
End cap for the beginning  
and end of channels



MEADRAIN PG 1500.EK-  
SE End cap V2A for drain  
element

## END CAPS AND ACCESSORIES FOR MEADRAIN PG 1500

Description	Order No. 010....	Material	kg/piece
MEADRAIN PG 1000.SE End cap for the beginning and end of channels	155606	Polymer concrete	0,15
MEADRAINPG 1000. EK End cap V2A suitable for drain element	155584	Stainless steel	1,90

## SEALANTS AND PRIMERS FOR PG CAR PARK CHANNELS

Description	Order No. 010....	Material	kg/piece
SABA MS Floor sealant for multi-storey car park applications, 600 ml in a bag, stable	152708	MS polymer base	0,84
SABA MS Floor SL sealant for multi-storey car park applications, 600 ml in a bag, self-levelling	152712	MS polymer base I	0,84
SABA Joint Cleaner solvent 48,1 liter, cleaner for adhesive flanks	155807	-	0,81
SABA Primer 9102, 1 liter	155803	Silane basis	0,90
Dispensing gun for SABA 600 ml bags	152707		0,79

This edition of the technical data sheet shall be valid from September 2020 until a revised version is published, and replaces any previous publications. The respectively current version is available for download at [www.mea-group.com](http://www.mea-group.com).

MEA Bautechnik GmbH  
Business Unit MEA Water Management  
Sudetenstraße 1  
86551 Aichach  
Tel.: +49 (0) 82 51. 91 0  
Fax: +49 (0) 82 51. 91 13 06  
E-Mail: [info@mea-group.com](mailto:info@mea-group.com)  
[www.mea-group.com](http://www.mea-group.com)