

**MATERIAL CHARACTERISTICS**

<b>FIBERGLASS COMPOSITE</b>	glass-fibre-reinforced polyester, mineral fillers, additives
<b>TENSILE STRENGTH</b>	65 N/mm <sup>2</sup> (ISO 527)
<b>BENDING STRENGTH</b>	120 N/mm <sup>2</sup> (ISO 14125)
<b>ELASTICITY MODULE</b>	10,000 N/mm <sup>2</sup> (ISO 14125)
<b>DENSITY</b>	2.0 g/cm <sup>3</sup> (ISO 1172)
<b>COEFFICIENT OF LINEAR EXPANSION</b>	1.5 - 2.0 x 10 <sup>-5</sup> 1/K
<b>HEAT RESISTANCE</b>	100°C continuous load, up to 240°C with a load duration up to 110 min.
<b>FROST RESISTANCE</b>	-35°C
<b>WATER PENETRATION LEVEL</b>	0 mm
<b>WATER ABSORPTION</b>	<0.1% (ISO R178)
<b>MATERIAL STRUCTURE</b>	Capillary free

**PURPOSE OF USE**

Component for the line drainage of surfaces in order to collect, transport and discharge rain water from adjacent fixed surfaces.

**VERSIONS**

/ Length 1000 mm

**EDGE PROTECTION**

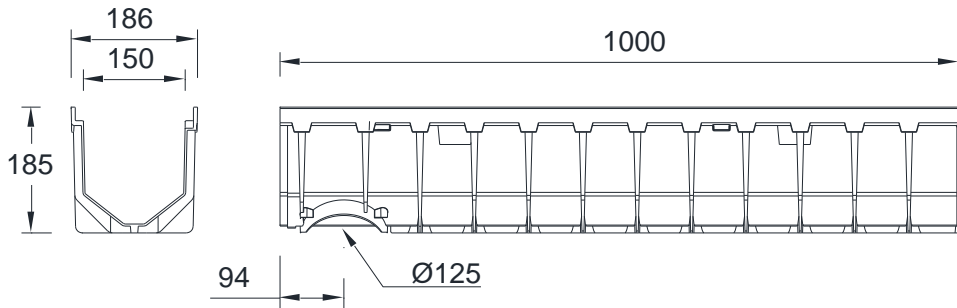
/ Glass-fibre-reinforced composite

**ACCESSORIES**

- / Inlet box
- / End cap closed
- / End cap with lateral pipe connection Ø 110 mm
- / Vertical drain socket Ø 125 mm

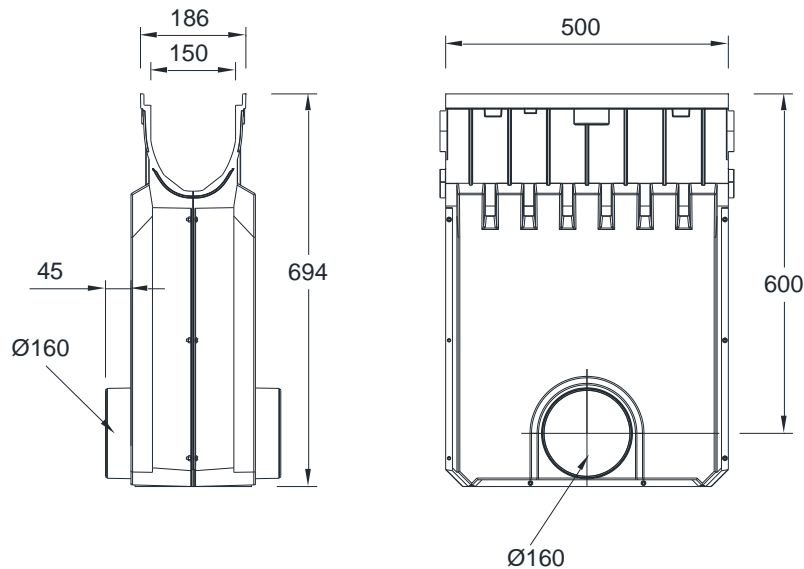
**MEAFUID 150 DRAINAGE CHANNEL WITH A GLASS-FIBRE COMPOSITE EDGE**

Drainage channel made of glass-fibre-reinforced composite. Clear width 150 mm, total width 186 mm. For the realization of water level slopes. Loading classes A 15 to C 250 according to EN 1433. Suitable for all channel covers with non-bolted CLIPFIX channel securement. Load capacity according to specification when installed according to the MEA installation instructions.



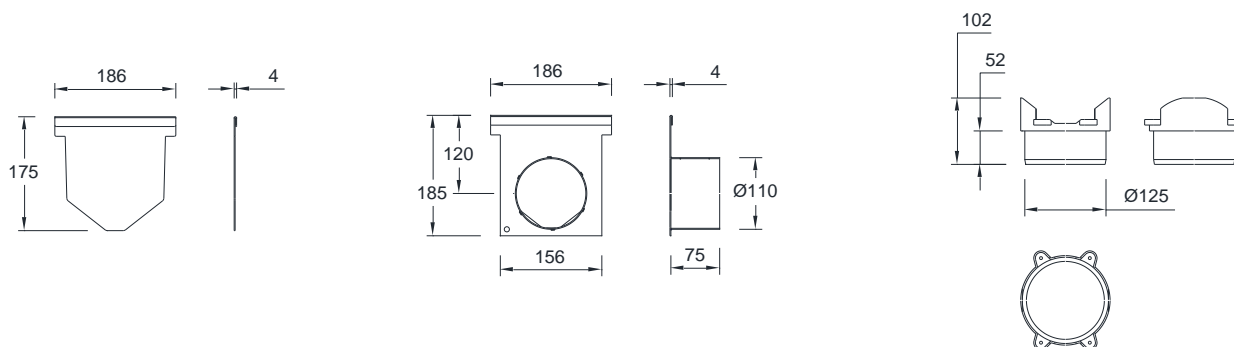
**DRAINAGE CHANNEL BODY MEAFUID 150, LOADING CLASSES A 15 TO C 250**

Description	Order No. 010...	Length (mm)	Constructive height (mm)	kg per piece
MEAFUID 150.0 Channel	145102	1000	185	4,30



**INLET BOX FOR MEAFUID 150**

Description	Order No. 010...	Length (mm)	Constructive height (mm)	kg per piece
MEAFUID 150.EK Inlet box	145112	500	694	7,00



**END CAPS AND CONNECTION ACCESSORIES FOR MEAFLUID 150**

Description	Order No. 010...	Material	kg per piece
MEAFLUID 150.SE End cap closed for channel start/end	145116	Galv. steel	0,60
MEAFLUID 150.E End cap with lateral pipe connection Ø 110 mm	145114	Galv. steel	0,35
MEAFLUID 150 Vertical drain socket Ø 125 mm	145113	PP	0,09

This edition of the technical data sheet shall be valid from January 2019 until a revised version is published, and replaces any previous publications. The respectively current version is available for download at [www.mea-group.com](http://www.mea-group.com).