

MEA 300 PROFIX CHANNEL COVER

A 15 B 125 C 250 D 400** E 600**

clear width 300



BUILDING SUCCESS

PURPOSE OF USE

Component for the line drainage of surfaces in order to collect, transport and discharge rainwater from adjacent fixed surfaces.

**) Not suitable for the diagonal or transverse travel of motorways and highways.

MEA 300 PROFIX CHANNEL COVER

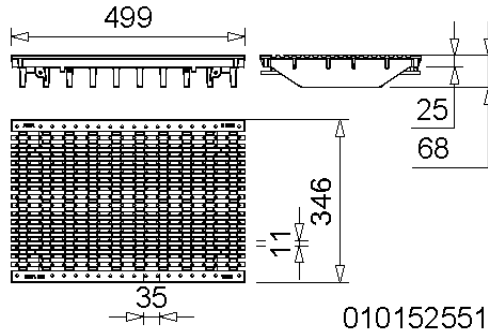
A 15 B 125 C 250 D 400** E 600**

clear width 300

MEA ENS 300 PROFIX CHANNEL COVER **)

With non-bolted PROFIX channel cover securement. Suitable for the systems **MEADRAIN ENS 3000** and **MEADRAIN ENS 3070**. With longitudinal shift protection.

For drainage channel body and gully, total width of grates 346 mm. Loading class E 600** according to EN 1433.



MEA ENS 300 CHANNEL COVER, LOADING CLASS E 600 **)

Description	Ord. No.	Material	Length [mm]	Inlet sect. area Ø cm ² /m above	kg/unit
MEA ENS 300 Ductile iron longitudinal bar grating-E 600-0.5 m 31/7.7 PX, heelguard 20) *) **) ****)	010152551	Ductile iron	500	950	23,01

Grid hook

Description	Ord. Nr.	Material	kg/unit
MEADRAIN/MEARIN Grid hook	010152115	Galv. steel	0,23

20) The grate corresponds to the ADA regulations (Americans Disabilities Act) for a handicapped accessible method of construction. Ideally suited for wheelchair and bicycle driving and for pedestrian traffic. Slot widths transverse to the travel direction under 13 mm. Slot widths transverse under 40 mm. Sliding-inhibiting elevations under 3 mm. Sliding-inhibiting surface (ductile iron)

*) Delivery time on demand

**) Not suitable for the diagonal or transverse travel of motorways and highways.

****) The surface coating of ductile iron parts only has a temporary and cosmetic function. Ductile iron is virtually impervious to surface oxidation from environmental influences (e. g. thawing salt). Superficial rust does not constitute a product defect. Of course, the resignation of surface coating is in accordance with all corresponding standards

This edition of the technical data sheet shall be valid from June 2023 until a revised version is published and replaces any previous publications. The respectively current version is available for download at www.mea-group.com .

MEA Bautechnik GmbH
 Business unit Water Management
 Sudetenstraße 1
 86551 Aichach
 Tel.: +49 (0) 82 51. 91 0
 Fax: +49 (0) 82 51. 91 13 06
 E-Mail: info@mea-group.com
www.mea-group.com