

PURPOSE OF USE

Channel covers for MEA drainage channels, as part of a drainage system to catch, transport and evacuate rainwater from adjoining surfaces.

**) Not suitable for the diagonal or transverse travel of motorways and highways.

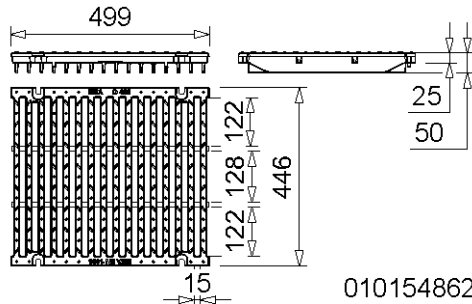
MEA ENS 400 4-FOLD BOLTED CHANNEL COVERS

A 15, B 125, C 250, D 400**), E 600**) and F 900**)

CW 400

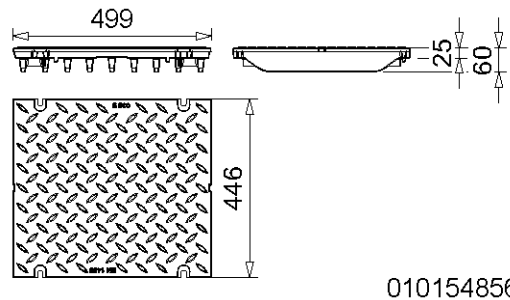
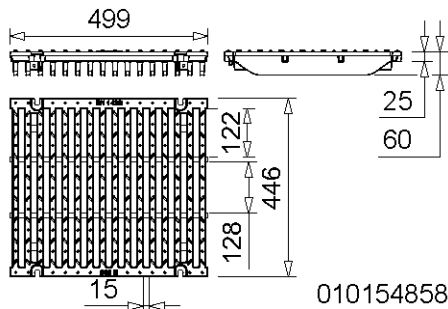
MEA ENS 400 4-FOLD BOLTED CHANNEL COVERS

With 4-fold bolted channel securement. Suitable for the system **MEADRAIN ENS 4000**. Loading classes D 400 to F 900**) according to EN 1433.



MEA ENS 400 DUCTILE IRON SLOTTED GRATE 15/128, LOADING CLASS D 400, 4-FOLD BOLTED **)

Description	Ord.No.	Material	Length [mm]	Inlet sect. area Ø cm ² /m above	kg/unit
MEA ENS 400 Ductile iron slotted grating-D-0.5 m 15/128 bolt fixing required *) **) ****)	010154862	Ductile iron	500	898	26,20



MEA ENS 400 DUCTILE IRON GRATINGS, LOADING CLASS E 600, 4-FOLD BOLTED **)

Description	Ord.No.	Material	Length [mm]	Inlet sect. area Ø cm ² /m above	kg/unit
MEA ENS 400 Ductile iron slotted grating-E 600-0.5 m 15/128 bolt fixing required *) **) ****)	010154858	Ductile Iron	500	1780	36,33
MEA ENS 400 Ductile iron solid cover-E 600-0.5 m bolt fixing required *) **) ****)	010154856	Ductile Iron	500	-	37,33

*) Delivery time on demand

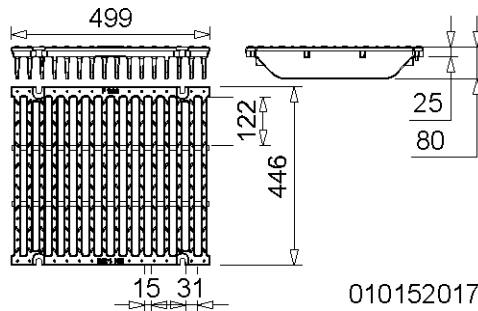
**) Not suitable for the diagonal or transverse travel of motorways and highways.

****)The surface coating of ductile iron parts only has a temporary and cosmetic function. Ductile iron is virtually impervious to surface oxidation from environmental influences (e.g. thawing salt). Superficial rust does not constitute a product defect. Of course, the resignation of surface coating is in accordance with all corresponding standards

MEA ENS 400 4-FOLD BOLTED CHANNEL COVERS

A 15, B 125, C 250, D 400**), E 600**) and F 900**)

CW 400



MEA ENS 400 DUCTILE IRON SLOTTED GRATE 15/128, LOADING CLASS F 900, 4-FOLD BOLTED **)

Description	Ord.No.	Material	Length [mm]	Inlet sect. area Ø cm ² /m above	kg/unit
MEA ENS 400 Ductile iron slotted grating-F 900-0.5 m 15/128 bolt fixing required *) **) ****)	010152017	Ductile iron	500	1780	41,20

GRATING FIXING

Description	Ord.No.	Material	kg/unit
MEADRAIN ENS Grating fixing bolt M 10 + square nut, 4 pieces/grating needed, tightening torque 20 Nm	010154859	Galv. steel	0,07

GRID HOOK

Description	Ord.No.	Material	kg/unit
MEADRAIN/MEARIN Grid hook	010152115	Galv. steel	0,23

*) Delivery time on demand

**) Not suitable for the diagonal or transverse travel of motorways and highways.

****)The surface coating of ductile iron parts only has a temporary and cosmetic function. Ductile iron is virtually impervious to surface oxidation from environmental influences (e.g. thawing salt). Superficial rust does not constitute a product defect. Of course, the resignation of surface coating is in accordance with all corresponding standards

This edition of the technical data sheet shall be valid from June 2023 until a revised version is published and replaces any previous publications. The respectively current version is available for download at www.mea-group.com.

MEA Bautechnik GmbH
 Business Unit MEA Water Management
 Sudetenstraße 1
 86551 Aichach
 Tel.: +49 (0) 82 51. 91 0
 Fax: +49 (0) 82 51. 91 13 06
 E-Mail: info@mea-group.com
www.mea-group.com