

MATERIAL CHARACTERISTICS

POLYMER CONCRETE	on a Polyester resin basis, with mineral fillers, additives
COMPRESSIVE STRENGTH	≥ 90 N/mm ²
BENDING STRENGTH	≥ 22 N/mm ²
ELASTICITY MODULE	25,000 – 35,000 N/mm ²
DENSITY	2,1 – 2,3 kg/dm ³
COEFFICIENT OF LINEAR EXPANSION	Approx. 1.45 x 10 ⁻⁵ 1/K
HEAT RESISTANCE	100°C continuous load, up to 200°C with a load duration up to 5 min.
FROST RESISTANCE	- 50 °C
WATER PENETRATION LEVEL	0 mm
WATER ABSORPTION	< 0,05% DIN 52 103 (A)
MATERIAL STRUCTURE	Capillary free

PURPOSE OF USE

Component for the line drainage of surfaces in order to collect, transport and discharge rainwater from adjacent fixed surfaces. Particularly suitable for use on roads and motorways. DAL and DAR versions for use with 1 or 2-layer drainage asphalt.

DESIGN

- / Length 500 and 1000 mm
- / Length 500 und 1000 mm, DAL I with side inlets in the line of sight upstream left, for 1-layered drainage asphalt
- / Length 500 und 1000 mm, DAR I with side inlets in the line of sight upstream right, for 1-layered drainage asphalt
- / Length 500 und 1000 mm, DAL II with side inlets in the line of sight upstream left, for two-layered drainage asphalt
- / Length 500 und 1000 mm, DAL II with side inlets in the line of sight upstream right, for two-layered drainage asphalt

ACCESSORIES

- / Inspection element
- / Inlet box
- / Sludge bucket for inlet box
- / Grate for inspection element und inlet box
- / End cap closed

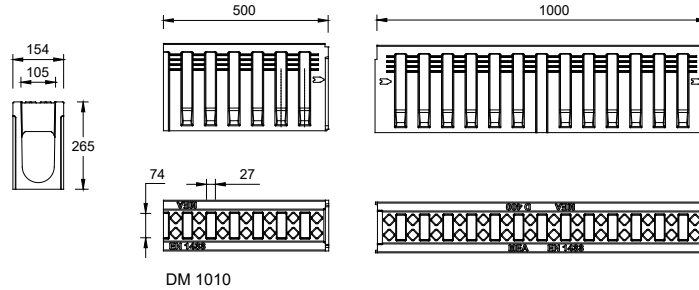
MEADRAIN DM 1010

A 15, B 125, C 250, D 400**, E 600**, F 900**

CW 100

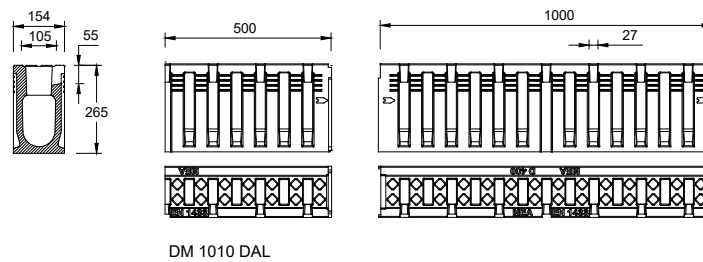
MEADRAIN DM 1010 POLYMER CONCRETE DRAINAGE CHANNEL

Clear width of the channel body 100 mm, total width 154 mm. For the realization of water level slopes. Loading classes, A 15 to F 900 according to EN 1433. Load capacity according to specification, when installed according to the MEA installation instructions.



MEADRAIN DM 1010 DRAINAGE CHANNEL BODY WITHOUT FALL, LOADING CLASS F 900 ACCORDING TO EN 1433

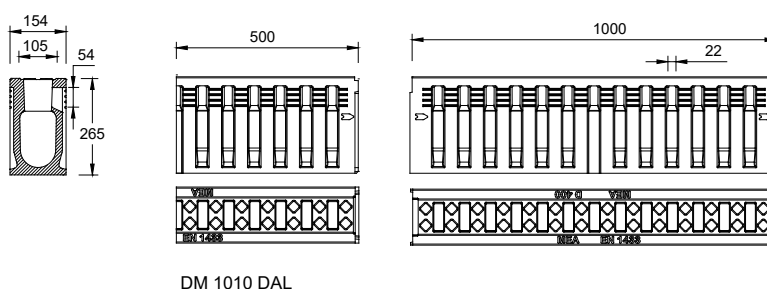
Designation	Ord. No.	Length [mm]	Height [mm]	Inlet sect. area Ø cm ² /m above	kg/unit
MEADRAIN DM 1010.0 Drainage channel body	010712884	1000	265	288	46,98
MEADRAIN DM 1010.0 Drainage channel body anthracite	010712885	1000	265	288	47,00
MEADRAIN DM 1010.1 Drainage channel body	010712886	500	265	288	23,50



MEADRAIN DM 1010 DAL I AND DAR I DRAINAGE CHANNEL BODY WITHOUT FALL, LOADING CLASS D 400 ACCORDING TO EN 1433, FOR ONE-LAYERED POROUS ASPHALT

Designation	Ord. No.	Length [mm]	Height [mm]	Inlet sect. area Ø cm ² /m laterally	Inlet sect. area Ø cm ² /m above	kg/unit
MEADRAIN DM 1010.0 DAL I*	010712889	1000	265	91	288	46,30
MEADRAIN DM 1010.1 DAL I*	010712891	500	265	91	288	23,20
MEADRAIN DM 1010.0 DAR I*	010712893	1000	265	91	288	46,30
MEADRAIN DM 1010.1 DAR I*	010712895	500	265	91	288	23,20

DAL I = side inlets in the line of sight upstream left, for 1-layered drainage asphalt
 DAR I = side inlets in the line of sight upstream right, for 1-layered drainage asphalt



MEADRAIN DM 1010

A 15, B 125, C 250, D 400**, E 600**, F 900**

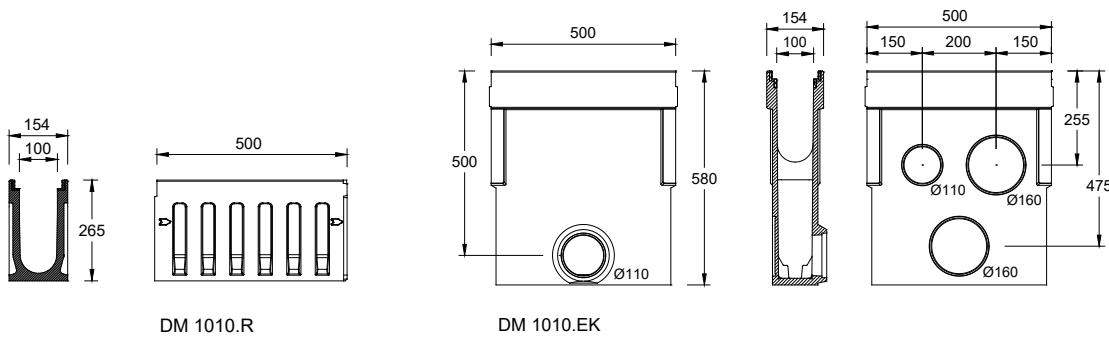
CW 100

MEADRAIN DM 1010 DAL II AND DAR II DRAINAGE CHANNEL BODY WITHOUT FALL, LOADING CLASS D 400 ACCORDING TO EN 1433, FOR TWO-LAYERED POROUS ASPHALT

Designation	Ord. No.	Length [mm]	Height [mm]	Inlet sect. area Ø cm ² /m laterally	Inlet sect. area Ø cm ² /m above	kg/unit
MEADRAIN DM 1010.0 DAL II*	010712888	1000	265	156	288	45,60
MEADRAIN DM 1010.1 DAL II*	010712890	500	265	156	288	22,80
MEADRAIN DM 1010.0 DAR II*	010712892	1000	265	156	288	45,60
MEADRAIN DM 1010.1 DAR II*	010712894	500	265	156	288	22,80

DAL II = side inlets in the line of sight upstream left for two-layered drainage asphalt
 DAR II = side inlets in the line of sight upstream right for two-layered drainage asphalt

MEADRAIN DM 1010 ACCESSORIES

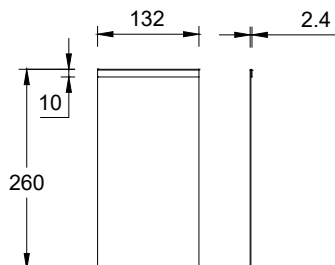


MEADRAIN DM 1010 INSPECTION ELEMENT AND GULLY

Designation	Ord. No.	Length [mm]	Height [mm]	kg/unit
MEADRAIN DM 1010.R Inspection element without cover ²¹⁾	010712896	500	265	17,70
MEADRAIN DM 1010.EK Gully without sediment bucket, without cover ²¹⁾	010712898	500	580	25,18
MEADRAIN 1000 plastic sediment bucket	010710065	440	264	0,38

21) Gully and revision element not suitable for use within in dynamically loaded ranges

MEADRAIN DM 1010 END CAP



010712900

MEADRAIN DM 1010 END CAP

Designation	Ord. No.	Material	kg/unit
MEADRAIN DM 1010.SE End cap for beginning and end of channel	010712900	Galv. steel	0,32

MEADRAIN DM 1010 COVER FOR INSPECTION ELEMENT AND GULLY, LOADING F 900 ACCORDING TO EN 1433, 4-FOLD BOLTED

Designation	Ord. No.	Material	Inlet sect. area Ø cm ² /m above	kg/unit
MEADRAIN DM 100 Ductile iron slotted grating-F 900-0,5 m 12/100 bolt fixing required***	010153094	Ductile iron	368	4,51

*** The surface coating of ductile iron parts only has a temporary and cosmetic function. Ductile iron is virtually impervious to surface oxidation from environmental influences (e.g. thawing salt). Superficial rust does not constitute a product defect. Of course, the resignation of surface coating is in accordance with all corresponding standards.

This edition of the technical data sheet shall be valid from September 2021 until a revised version is published and replaces any previous publications. The respectively current version is available for download at www.mea-group.com.

MEA Bautechnik GmbH
 Business Unit MEA Water Management
 Sudetenstraße 1
 86551 Aichach
 Tel.: +49 (0) 82 51. 91 0
 Fax: +49 (0) 82 51. 91 13 06
 E-Mail: info@mea-group.com
www.mea-group.com