

**MATERIAL CHARACTERISTICS**

<b>POLYMER CONCRETE</b>	on a Polyester resin basis, with mineral fillers, additives
<b>COMPRESSIVE STRENGTH</b>	≥ 90 N/mm <sup>2</sup>
<b>BENDING STRENGTH</b>	≥ 22 N/mm <sup>2</sup>
<b>ELASTICITY MODULE</b>	25,000 – 35,000 N/mm <sup>2</sup>
<b>DENSITY</b>	2,1 – 2,3 kg/dm <sup>3</sup>
<b>COEFFICIENT OF LINEAR EXPANSION</b>	Approx. 1.45 x 10 <sup>-5</sup> 1/K
<b>HEAT RESISTANCE</b>	100°C continuous load, up to 200°C with a load duration up to 5 min.
<b>FROST RESISTANCE</b>	- 50 °C
<b>WATER PENETRATION LEVEL</b>	0 mm
<b>WATER ABSORPTION</b>	< 0.05%
<b>MATERIAL STRUCTURE</b>	Capillary free

**PURPOSE OF USE**

Component for the line drainage of surfaces in order to collect, transport and discharge rainwater from adjacent fixed surfaces. Particularly suitable for use on roads and motorways. DAL and DAR versions for use with 2-layer drainage asphalt.

**DESIGN**

- / Length 500 and 1000 mm
- / Length 500 und 1000 mm, DAL II with side inlets in the line of sight upstream left, for two-layered drainage asphalt
- / Length 500 und 1000 mm, DAL II with side inlets in the line of sight upstream right, for two-layered drainage asphalt
- / Constructive height 280 and 480 mm for all elements

**ACCESSORIES**

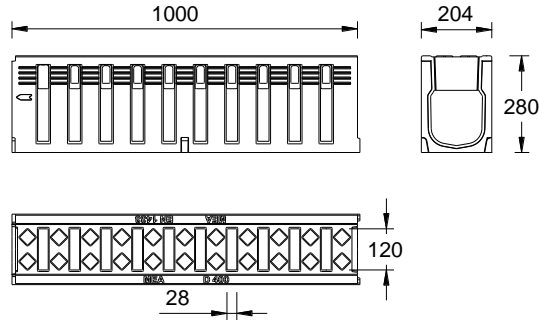
- / Inspection element
- / Sediment bucket top part
- / Sediment bucket intermediate part
- / Sediment bucket bottom part with drain socket Ø 160 mm
- / Sediment bucket bottom part with drain socket Ø 200 mm
- / sediment bucket
- / Grates for inspection element und sediment bucket
- / End cap closed

# MEADRAIN DM 1500 and 1540

A 15, B 125, C 250, D 400\*\*, E 600\*\*, F 900\*\* CW 150

## MEADRAIN DM 1500 POLYMER CONCRETE DRAINAGE CHANNEL MONOLITHIC CONSTRUCTION WITH SEALING JOINT ACCORDING TO EN 1433

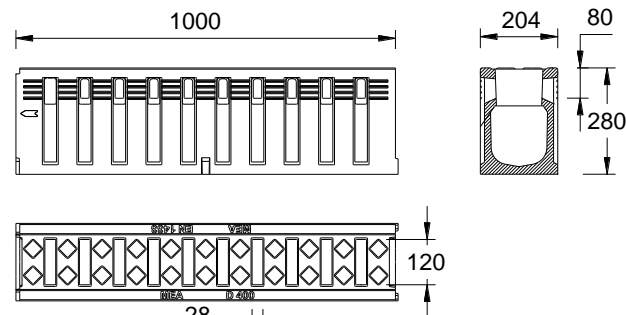
Clear width of the channel body 150 mm, total width 204 mm. For the realization of water level slopes. Loading classes A 15 to F 900 according to EN 1433. Load capacity according to specification, when installed according to the MEA installation instructions. Loading class D 400 also for cross drainage of expressways and motorways. Drainage channel body DM 1500.0 DAL and DM 1500.0 DAR, loading class D 400, suitable for the dewatering of two-layer porous asphalt.



010712938

## MEADRAIN DM 1500 DRAINAGE CHANNEL BODY WITHOUT FALL, LOADING CLASS F 900 ACCORDING TO EN 1433

Description	Order No.	Length [mm]	Height [mm]	Inlet sect. area Ø cm²/m above	kg/unit
MEADRAIN DM 1500.0 Drainage channel body	010712938	1000	280	377	63,00
MEADRAIN DM 1500.0 Drainage channel body anthracite	010712939	1000	280	377	63,00
MEADRAIN DM 1500.1 Drainage channel body	010712940	500	280	377	32,00
MEADRAIN DM 1500.1 Drainage channel body anthracite	010712941	500	280	377	32,00



010712956 / 010712946

## MEADRAIN DM 1500 DAL II UND DAR II MONOLITHIC DRAINAGE CHANNEL POLYMER CONCRETE, LOADING CLASS D 400 ACCORDING TO EN 1433

Description	Order No.	Length [mm]	Height [mm]	Inlet sect. area Ø cm²/m laterally	Inlet sect. area Ø cm²/m above	kg/unit
MEADRAIN DM 1500.0 DAL II	010712956	1000	280	116	377	62,00
MEADRAIN DM 1500.1 DAL II	010712958	500	280	116	377	31,50
MEADRAIN DM 1500.0 DAR II*	010712946	1000	280	116	377	62,00
MEADRAIN DM 1500.1 DAR II*	010712948	500	280	116	377	31,50

DAL II = side inlets in the line of sight upstream left for two-layered drainage asphalt.  
 DAR II = side inlets in the line of sight upstream right for two-layered drainage asphalt.

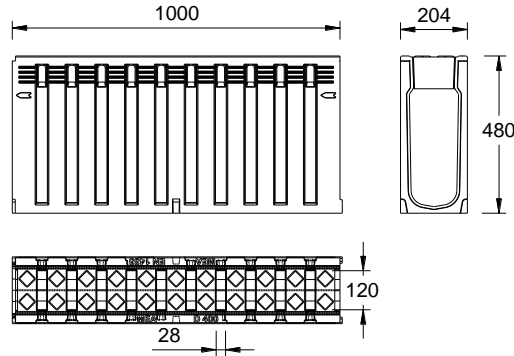
# MEADRAIN DM 1500 and 1540

A 15, B 125, C 250, D 400\*\*, E 600\*\*, F 900\*\* CW 150

## MEADRAIN DM 1540 POLYMER CONCRETE DRAINAGE CHANNEL

MONOLITHIC CONSTRUCTION WITH SEALING JOINT ACCORDING TO EN 1433

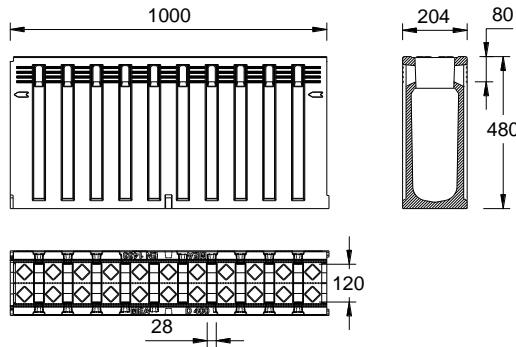
Clear width of the channel body 150 mm, total width 204 mm. For the realization of water level slopes. Loading classes, A 15 to F 900 according to EN 1433. Load capacity according to specification, when installed according to the MEA installation instructions. Loading class D 400 also for cross drainage of expressways and motorways. Drainage channel body DM 1540.0 DAL and DM 1540.0 DAR (loading class D 400)



010712902

## MEADRAIN DM 1540 DRAINAGE CHANNEL BODY, LOADING CLASS F 900 ACCORDING TO EN 1433

Description	Order No.	Length [mm]	Height [mm]	Inlet sect. area Ø cm <sup>2</sup> /m above	kg/unit
MEADRAIN DM 1540.0 gutter	010712902	500	480	388,5	86,50
MEADRAIN DM 1540.1 gutter	010712904	500	480	377	43,00



010712906 / 010712910

## MEADRAIN DM 1540 DAL II UND DAR II MONOLITHIC DRAINAGE CHANNEL POLYMER CONCRETE, LOADING CLASS D 400 ACCORDING TO EN 1433

Description	Order No.	Length [mm]	Height [mm]	Einlauf in cm <sup>2</sup> /m seitlich	Einlauf in cm <sup>2</sup> /m oben	kg/unit
MEADRAIN DM 1540.0 DAL II	010712906	1000	480	116	377	85,50
MEADRAIN DM 1540.1 DAL II	010712908	500	480	116	377	43,00
MEADRAIN DM 1540.0 DAR II	010712910	1000	480	116	377	85,50
MEADRAIN DM 1540.1 DAR II	010712912	500	480	116	377	43,00

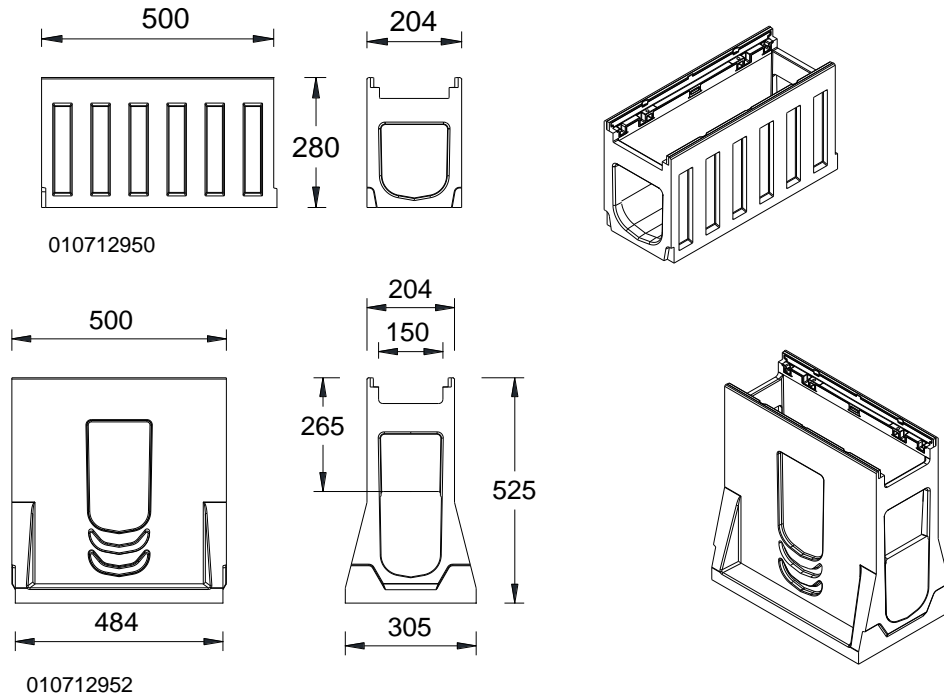
DAL II = side inlets in the line of sight upstream left for two-layered drainage asphalt.  
 DAR II = side inlets in the line of sight upstream right for two-layered drainage asphalt.

# MEADRAIN DM 1500 and 1540

A 15, B 125, C 250, D 400\*\*, E 600\*\*, F 900\*\* CW 150

## MEADRAIN DM 1500 ACCESSORIES

### MEADRAIN DM 1500 GULLY, INSPECTION ELEMENT



### MEADRAIN DM 1500 GULLIES, INSPECTION ELEMENT

Description	Order No.	Length [mm]	Height [mm]	kg/unit
MEADRAIN DM 1500.R inspection element without cover <sup>21)</sup>	010712950	500	280	20,70
MEADRAIN DM 1500.SK-OT Gully upper part without cover <sup>21)</sup>	010712952	500	525	43,50
MEA SK-ZT gully intermediate part made of polymer concrete for a height extension	010154709	524	375	22,00
MEA SK-UT short Gully lower part, with integrated drain socket Ø 160 mm	010154726	524	335	25,16
MEA SK-UT short Gully lower part, with integrated drain socket Ø 200 mm	010154728	524	335	27,00
MEADRAIN sediment bucket Galv. for gully	010151846	-	-	3,10

21) Gully and revision element not suitable for use within in dynamically loaded ranges

# MEADRAIN DM 1500 and 1540

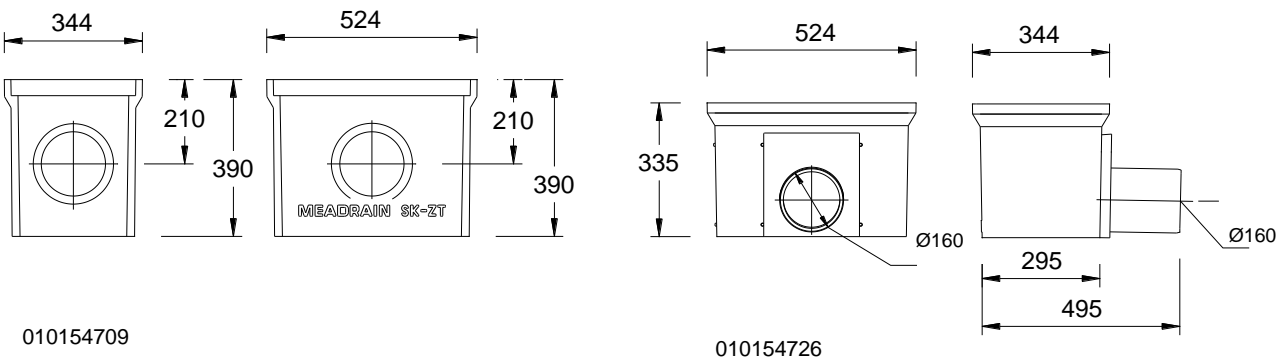
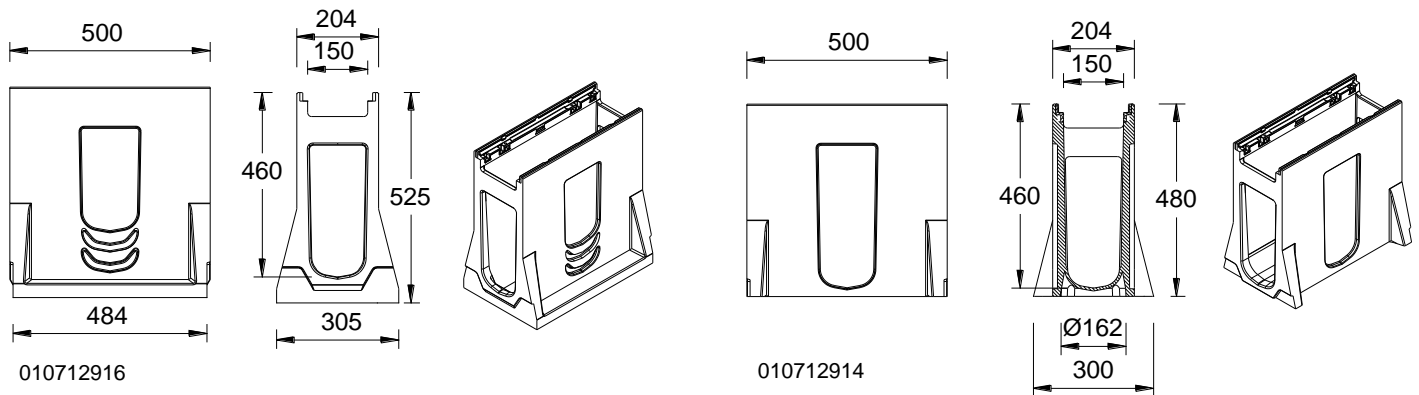
A 15, B 125, C 250, D 400\*\*, E 600\*\*, F 900\*\*

CW 150



BUILDING SUCCESS

## MEADRAIN DM 1540 ACCESSORIES



## MEADRAIN DM 1540 GULLIES, INSPECTION ELEMENT

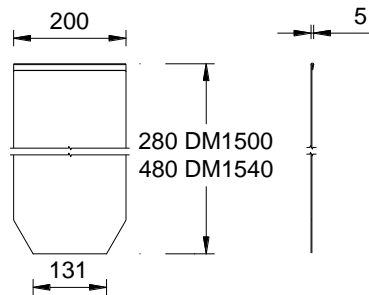
Description	Order No.	Length [mm]	Height [mm]	kg/unit
MEADRAIN DM 1540.R Inspection element	010712914	500	480	36,50
MEADRAIN DM 1540.SK-OT Gully upper part	010712916	500	525	41,50
MEA SK-ZT gully intermediate part made of polymer concrete for a height extension	010154709	524	375	22,00
MEA SK-UT short Gully lower part, with integrated drain socket Ø 160 mm	010154726	524	335	25,16
MEA SK-UT short Gully lower part, with integrated drain socket Ø 200 mm	010154728	524	335	27,00
MEADRAIN sediment bucket Galv. for gully	010151846	500	-	3,10

# MEADRAIN DM 1500 and 1540

A 15, B 125, C 250, D 400\*\*, E 600\*\*, F 900\*\* CW 150



## MEADRAIN DM 1500 END CAP



010154726  
010712918

## MEADRAIN DM 1500 END CAP

Description	Order No.	Material	kg/unit
MEADRAIN DM 1500.SE End cap for beginning and end of channel	010712954	Stahl verzinkt	0,65

## MEADRAIN DM 1540 END CAP

Description	Order No.	Material	kg/unit
MEADRAIN DM 1540.SE End cap for channel start/end	010712918	Stahl verzinkt	1,15

This edition of the technical data sheet shall be valid from November 2020 until a revised version is published and replaces any previous publications. The respectively current version is available for download at [www.mea-group.com/de/water-management](http://www.mea-group.com/de/water-management).

MEA Bautechnik GmbH  
Business Unit MEA Water Management  
Sudetenstraße 1  
86551 Aichach  
Tel.: +49 (0) 82 51. 91 0  
Fax: +49 (0) 82 51. 91 13 06  
E-Mail: [info@mea-group.com](mailto:info@mea-group.com)  
[www.mea-group.com](http://www.mea-group.com)