

## PURPOSE OF USE

Drainage channel cover für MEA Drainage channel, as a component for the line drainage of surfaces in order to collect, transport and discharge rainwater from adjacent fixed surfaces.

## DESIGNS

Material

/ Cast iron

Design

/ Slotted grating

## ACCESSORIES

/ Grating protection

\*\* Not suitable for the diagonal or transverse travel of motorways and highways.

# MEA EN 150 4-FOLD BOLTED CHANNEL COVERS

D 400\*\* E 600\*\*, F 900\*\*

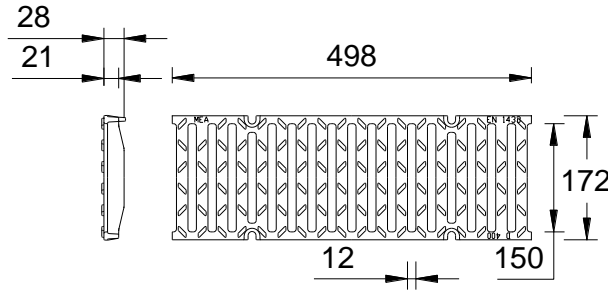
CW 150



BUILDING SUCCESS

## MEA EN 150 4-FOLD BOLTED CHANNEL COVERS

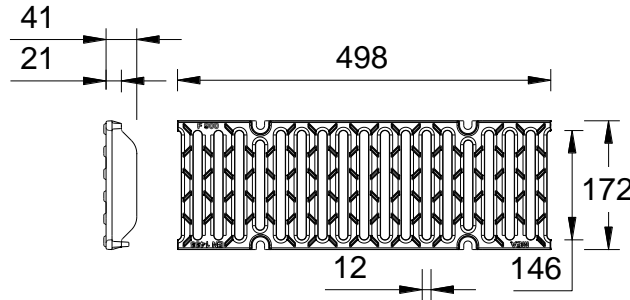
With 4-fold bolted channel securement. Suitable for the system **MEADRAIN EN 1500** and **MEADRAIN ENF 1500**, grating protection optionally available. For drainage channel body and gully. Total width of the grates 173 mm.



010151173

## LOADING CLASS D 400\*\* ACCORDING TO EN 1433, 4-FOLD BOLTED

Designation	Ord.No.	Material	Inlet sect. area Ø cm <sup>2</sup> /m above	Length [mm]	kg/unit
MEA 150 Ductile iron slotted grating-D 400-0,5 m 12/150 bolted	010151173	Ductile iron	630	500	6,2



010151169

## LOADING CLASS F 900\*\* ACCORDING TO EN 1433, 4-FOLD BOLTED

Designation	Ord.No.	Material	Inlet sect. area Ø cm <sup>2</sup> /m above	Length [mm]	kg/unit
MEA 150 Ductile iron slotted grating-F 900-0,5 m 12/134 bolted	010151169	Guss EN-GJS	523	500	8,00

\*\* Not suitable for the diagonal or transverse travel of motorways and highways.

\*\*\*\* The surface coating of ductile iron parts only has a temporary and cosmetic function. Ductile iron is virtually impervious to surface oxidation from environmental influences (e.g. thawing salt). Superficial rust does not constitute a product defect. Of course, the resignation of surface coating is in accordance with all corresponding standards

# MEA EN 150 4-FOLD BOLTED CHANNEL COVERS

D 400\*\* E 600\*\*, F 900\*\*

CW 150



BUILDING SUCCESS

## GRATING FIXATION

Beschreibung	Ord.No.	Material	kg/unit
MEADRAIN EN Galv. grating locking mechanism for all grating widths, 4 pieces/grating with 20NM torque will be needed	010153096	Black galv.	0,02
MEADRAIN EN Stainl.steel grating locking mechanism for all grating widths, 4 pieces/grating with 20NM torque will be needed	010153098	Stainl. steel	0,02

\*\* Not suitable for the diagonal or transverse travel of motorways and highways.

This edition of the technical data sheet shall be valid from November 2020 until a revised version is published, and replaces any previous publications. The respectively current version is available for download at [www.mea-group.com](http://www.mea-group.com).