

MATERIAL CHARACTERISTICS

FIBERGLASS COMPOSITE	glass-fibre-reinforced polyester, mineral fillers, additives
TENSILE STRENGTH	65 N/mm ² (ISO 527)
BENDING STRENGTH	120 N/mm ² (ISO 14125)
ELASTICITY MODULE	10.000 N/mm ² (ISO 14125)
DENSITY	2,0 g/cm ³ (ISO 1172)
COEFFICIENT OF LINEAR EXPANSION	1,5 – 2,0 x 10 ⁻⁵ 1/K
HEAT RESISTANCE	100°C continuous load, up to 240°C with a load duration up to 110 min.
FROST RESISTANCE	-35°C
WATER PENETRATION LEVEL	0 mm
WATER ABSORPTION	0,078 % (EN ISO 62:2008-05 Procedure 1)
MATERIAL STRUCTURE	Capillary free

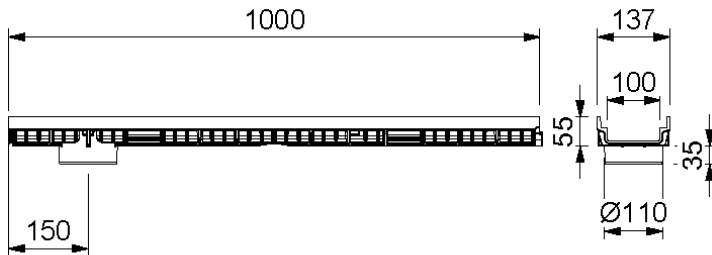
PURPOSE OF USE

Component for the line drainage of surfaces in order to collect, transport and discharge rainwater from adjacent fixed surfaces.

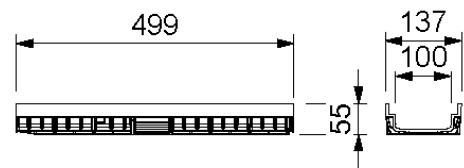
***) Not suitable for the diagonal or transverse travel of motorways and highways.

MEARIN PLUS F 100 / BLACK SHALLOW DRAINAGE CHANNEL WITH GRP EDGE AND SEALING JOINT ACCORDING TO EN 1433

Channels made of glass-fibre-reinforced composite. Clear width 100 mm, total width 137 mm. Suitable for all channel covers **MEA 100 CLIPFIX**, **MEA TSC TOPSLOT**, **TSL** and **TSH 100**. For the realization of water level slopes. Load capacity according to specification when installed according to the MEA installation instructions.



010140742



010140746

MEARIN PLUS F 100 / BLACK DRAINAGE CHANNEL WITHOUT FALL. LOADING CLASSES A 15 TO D 400 ACCORDING TO EN 1433 **)

Designation	Ord. No.	Length [mm]	Height [mm]	kg/unit
MEARIN PLUS F 100.0/55 drainage channel body **)	010140740	1000	55	1,87
MEARIN PLUS F 100.0 A/55 drainage channel body with Ø 110 mm outlet 8) **)	010140742	1000	55	1,87
MEARIN PLUS F 100.1/55 drainage channel body **)	010140744	500	55	0,93
MEARIN PLUS F 100.1 RW/55 drainage channel body for change of drain direction 15) **)	010140746	500	55	0,93
MEARIN PLUS F 100.0/55 BLACK drainage channel body **)	010140569	1000	55	1,87
MEARIN PLUS F 100.0 A/55 BLACK drainage channel body with Ø 110 mm outlet 8) **)	010140745	1000	55	1,87
MEARIN PLUS F 100.1/55 BLACK drainage channel body **)	010140747	500	55	0,93
MEARIN PLUS F 100.1 RW/55 BLACK drainage channel body for change of drain direction 15)	010140749	500	55	0,93

**) Not suitable for the diagonal or transverse travel of motorways and highways.

8) With tight formed-in drain outlet Ø 110 mm

15) Utilization option as a flow direction change

MEARIN PLUS 100 / PLUS F 100 / BLACK / SLOPE

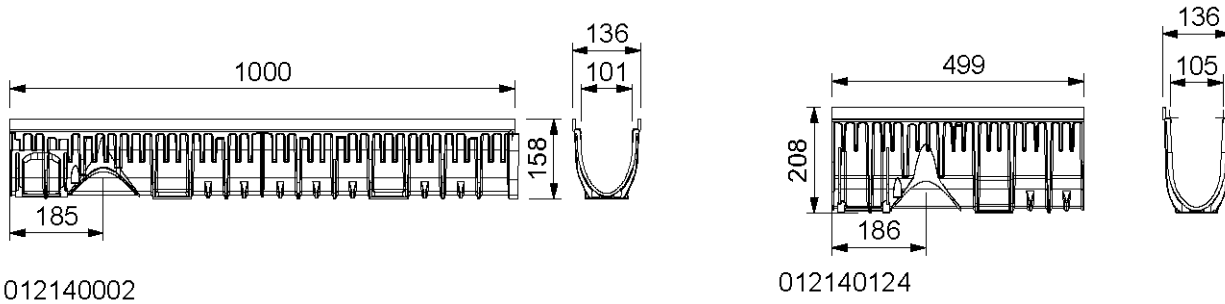
A 15, B 125, C 250, D 400**

CW 100

BUILDING SUCCESS

MEARIN PLUS 100 / BLACK DRAINAGE CHANNEL WITH GRP EDGE AND SEALING JOINT ACCORDING TO EN 1433

Channels made of glass-fibre-reinforced composite. Clear width 100 mm, total width 136 mm. Suitable for all channel covers **MEA 100 CLIPFIX**, **MEA TSC TOPSLOT**, **TSL** and **TSH 100**. For the realization of water level slopes. Load capacity according to specification when installed according to the MEA installation instructions.



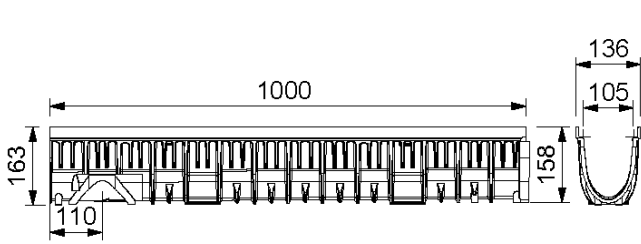
MEARIN PLUS 100 / BLACK DRAINAGE CHANNEL BODY WITHOUT FALL, LOADING CLASSES A 15 TO D 400 ACCORDING TO EN 1433 **)

Designation	Ord. No.	Length [mm]	Height [mm]	kg/unit
MEARIN PLUS 100.0 Drainage channel body 4) 14) **)	012140002	1000	158	3,60
MEARIN PLUS 100.1 Drainage channel body 3) **)	012140004	500	158	2,00
MEARIN PLUS 100.1 RW Drainage channel body for change of drain direction 4) 14) 15) **)	012140006	500	158	2,00
MEARIN PLUS 110.0 Drainage channel body 4) **)	012140120	1000	208	4,34
MEARIN PLUS 110.1 Drainage channel body 3) **)	012140122	500	208	2,17
MEARIN PLUS 110.1 RW Drainage channel body for change of drain direction 4) 15) **)	012140124	500	208	2,17
MEARIN PLUS 120.0 Drainage channel body 4) **)	012140146	1000	258	5,18
MEARIN PLUS 120.1 Drainage channel body 3) **)	012140148	500	258	2,59
MEARIN PLUS 120.1 RW Drainage channel body for change of drain direction 4) 15) **)	012140150	500	258	2,59
MEARIN PLUS 100.0 BLACK Drainage channel body 4) 14) **)	012140564	1000	158	3,60
MEARIN PLUS 100.1 BLACK Drainage channel body 3) **)	012140566	500	158	2,00
MEARIN PLUS 100.1 RW BLACK Drainage channel body for change of drain direction 4) 14) 15) **)	012140568	500	158	2,00

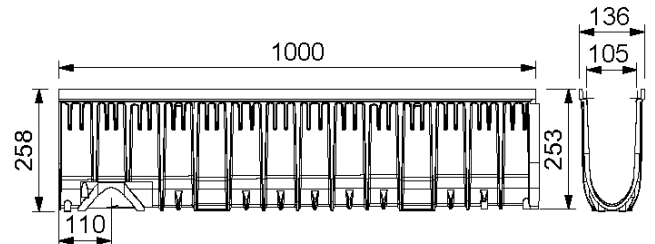
**) Not suitable for the diagonal or transverse travel of motorways and highways.
 3) Connection option for end caps with connector or for gullies / silt boxes.
 4) Connection option for vertical drain Ø 110 mm or to end caps with connector or to gullies / silt boxes.
 14) Connection option for corner-, t- and cross- connections.
 15) Utilization option as a flow direction change

**MEARIN PLUS 100 DRAINAGE CHANNEL WITH FALL
WITH GLASS FIBRE COMPOSITE EDGE AND SEAL ACCORDING TO DIN EN 1433**

Channel body made of glass fiber reinforced composite. Clear width 100 mm, total width 136 mm. Suitable for all channel covers **MEA 100 CLIPFIX, MEA TSC TOPSLOT, TSL and TSH 100**. For the realization of linear fall (with fall 0,5%). Loading classes A 15 to D 400** according to EN 1433. Load capacity according to specification when installed according to the MEA installation instructions.



012140100



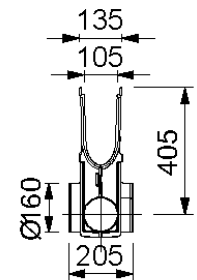
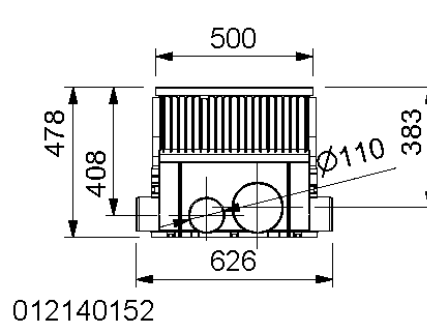
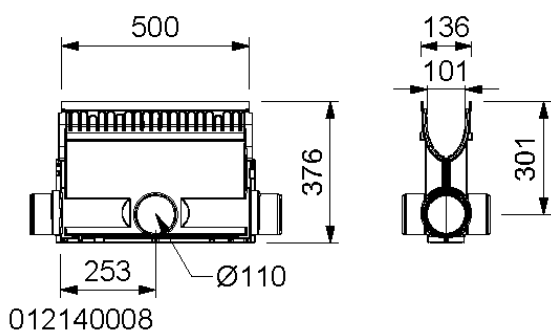
012140144

**MEARIN PLUS 100 DRAINAGE CHANNEL BODY WITH 0,5% FALL,
LOADING CLASSES A 15 TO D 400 ACCORDING TO EN 1433 **)**

Designation	Ord. No.	Length [mm]	Height [mm]	Height 2 [mm]	kg/unit
MEARIN PLUS 101 Drainage channel body **)	012140100	1000	158	163	3,70
MEARIN PLUS 102 Drainage channel body **)	012140102	1000	163	168	3,78
MEARIN PLUS 103 Drainage channel body **)	012140104	1000	168	173	3,85
MEARIN PLUS 104 Drainage channel body **)	012140106	1000	173	178	3,93
MEARIN PLUS 105 Drainage channel body **)	012140108	1000	178	183	4,00
MEARIN PLUS 106 Drainage channel body **)	012140110	1000	183	188	4,08
MEARIN PLUS 107 Drainage channel body **)	012140112	1000	188	193	4,16
MEARIN PLUS 108 Drainage channel body **)	012140114	1000	193	198	4,23
MEARIN PLUS 109 Drainage channel body **)	012140116	1000	198	203	4,31
MEARIN PLUS 110 Drainage channel body **)	012140118	1000	203	208	4,38
MEARIN PLUS 111 Drainage channel body **)	012140126	1000	208	213	4,46
MEARIN PLUS 112 Drainage channel body **)	012140128	1000	213	218	4,54
MEARIN PLUS 113 Drainage channel body **)	012140130	1000	218	223	4,61
MEARIN PLUS 114 Drainage channel body **)	012140132	1000	223	228	4,69
MEARIN PLUS 115 Drainage channel body **)	012140134	1000	228	233	4,76
MEARIN PLUS 116 Drainage channel body **)	012140136	1000	233	238	4,84
MEARIN PLUS 117 Drainage channel body **)	012140138	1000	238	243	4,92
MEARIN PLUS 118 Drainage channel body **)	012140140	1000	243	248	4,99
MEARIN PLUS 119 Drainage channel body **)	012140142	1000	248	253	5,07
MEARIN PLUS 120 Drainage channel body **)	012140144	1000	253	258	5,14

**) Not suitable for the diagonal or transverse travel of motorways and highways.

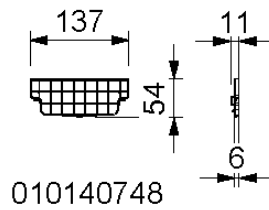
MEARIN PLUS 100 / BLACK ACCESSORIES



MEARIN PLUS 100 / BLACK GULLY WITHOUT DRAINAGE CHANNEL COVER, WITH SEDIMENT BUCKET **)

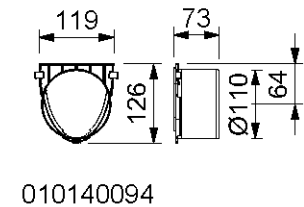
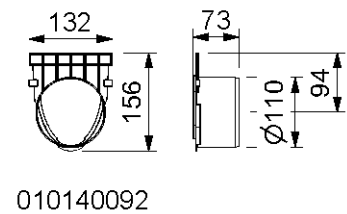
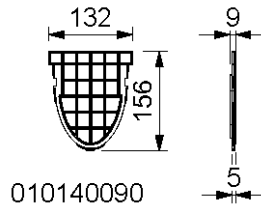
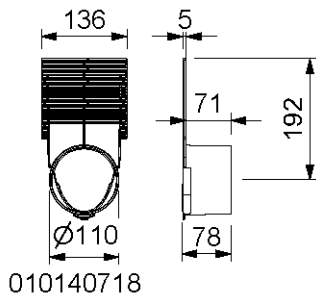
Designation	Ord. No.	Length [mm]	Height [mm]	kg/unit
MEARIN PLUS 100.EK gully with Ø 110 mm pipe connector + sediment bucket **)	012140008	500	376	4,40
MEARIN PLUS 100.EK gully with Ø 110 mm pipe connector on one side for construction close to a facade + sediment bucket **)	012140009	500	376	4,70
MEARIN PLUS 120.EK gully with pipe connector Ø 110 mm /Ø 160 mm, incl. sediment bucket **)	012140152	500	487	5,78
MEARIN PLUS 100.EK BLACK gully with pipe connector Ø 110 mm + sediment bucket **)	012140570	500	376	4,61

**) Not suitable for the diagonal or transverse travel of motorways and highways.



MEARIN PLUS F 100 / BLACK END CAPS FOR SHALLOW CHANNELS

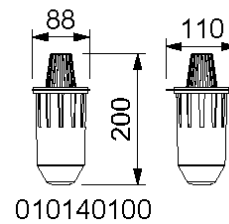
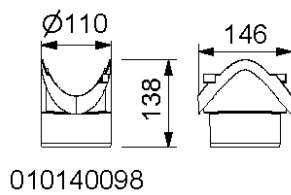
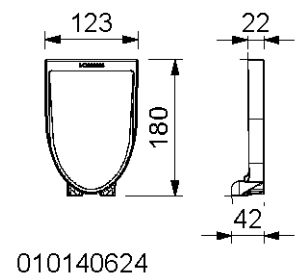
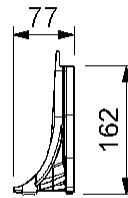
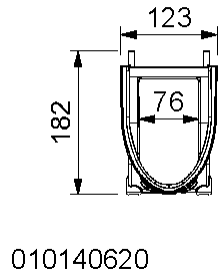
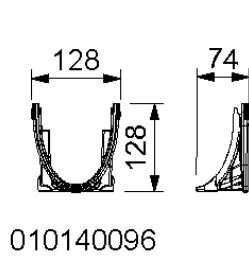
Designation	Ord. No.	Material	Height [mm]	kg/unit
MEARIN PLUS F 100.SE End cap closed for channel start/end	010140748	PC	55	0,03
MEARIN PLUS F 100.SE BLACK End cap closed for channel start/end	010140751	PC	55	0,03



MEARIN PLUS 100 / BLACK END CAPS

Designation	Ord. No.	Material	Height [mm]	Height 2 [mm]	kg/unit
MEARIN PLUS/EXPERT 1000-1020.SE/Ø110 End cap closed for channel start/end with optional pipe connection option Ø 110 mm, height-adjustable	010140718	PC	155	255	0,06
MEARIN PLUS/EXPERT 100.SE End cap closed for channel start/end	010140090	PP	156	-	0,04
MEARIN PLUS/EXPERT 100.E End cap with pipe outlet Ø 110 mm for channel end	010140092	PP	156	-	0,06
MEARIN PLUS/EXPERT 100.ES End cap with pipe outlet Ø 110 mm for a lateral channel connection	010140094	PP	126	-	0,08
MEARIN PLUS 100.SE BLACK End cap closed for channel start/end	010140572	PP	156	-	0,04
MEARIN PLUS 100.E BLACK End cap with outlet Ø 110 mm	010140573	PP	156	-	0,04
MEARIN PLUS/EXPERT 100 Drainage kit, contains vertical outlet connector Ø 110 mm, odour trap and 2 end caps closed	010140104	PP	-	-	0,35
MEARIN PLUS BLACK 100 Outlet kit with vertical outlet connector Ø 110 mm, odour seal and 2 BLACK end caps closed	010140105	PP	-	-	0,35

**) Not suitable for the diagonal or transverse travel of motorways and highways.



MEARIN PLUS 100 / BLACK CONNECTORS

Designation	Ord. No.	Material	kg/unit
MEARIN PLUS/EXPERT 100.0 Adapter for lateral channel connection, for corner, T and cross connections	010140096	PP	0,04
MEARIN PLUS/EXPERT 110.0 Adapter for lateral channel connection, for corner, T And cross connection	010140620	PC	0,07
MEARIN PLUS/EXPERT 120.0 Adapter for lateral channel connection, for corner, T and cross connection	010140622	PC	0,08
MEARIN PLUS/EXPERT 110.T Channel connector for strand low point, channels No. 10	010140624	PC	0,04
MEARIN PLUS/EXPERT 120.T Channel connector for strand low point, channels No. 20	010140626	PC	0,05
MEARIN PLUS/EXPERT 100 Vertical outlet connection Ø 110 mm	010140098	PP	0,08
MEARIN PLUS/EXPERT 100 Odour trap, contains dirt filter and dirt trap	010140100	PP	0,20

**) Not suitable for the diagonal or transverse travel of motorways and highways.

JOINTING COMPOUNDS FOR STANDARD APPLICATIONS *)**

Designation	Ord. No.	Material	kg/unit
SABA MS Floor GREY sealant 600 ml in a bag, stable ***)	010152708	MS-polymer-basis	0,88
SABA MS Floor BLACK sealant 600 ml in a bag, stable *) ***)	010152700	MS-polymer-basis	0,84
SABA Primer 9102 for undercoat, 1 liter	010155803	Silane-basis	0,92
Joint Cleaner solvent 48, 1 liter, Cleaner for adhesive flanks	010155807	-	0,84
Dispensing gun for 600 ml bags	010152707	-	0,63

*) Delivery time on demand

***) For watertight mounting of drainage channels (only for channels transporting rainwater). Not suitable for installation in LAU-facilities, gaz stations or similar constructions

This edition of the technical data sheet shall be valid from July 2022 until a revised version is published and replaces any previous publications. The respectively current version is available for download at www.mea-group.com.

MEA Bautechnik GmbH
 Business unit MEA Water Management
 Sudetenstraße 1
 86551 Aichach
 Tel.: +49 (0) 82 51. 91 0
 Fax: +49 (0) 82 51. 91 13 06
 E-Mail: info@mea-group.com
www.mea-group.com