

**MEAKERB POLYMER CONCRETE DRAINAGE CHANNEL  
MONOLITHIC CHANNEL UNIT AND KERB SECTION**

<b>DRAINAGE CHANNEL AND COMPONENTS</b>	
<b>POLYMER CONCRETE</b>	on a Polyester resin basis, with mineral fillers, additives
<b>COMPRESSION RESISTANCE</b>	≥ 90 N/mm <sup>2</sup>
<b>FLEXURAL TENSILE STRENGTH</b>	≥ 22 N/mm <sup>2</sup>
<b>MODULES OF ELASTICITY</b>	25.000 – 35.000 N/mm <sup>2</sup>
<b>DENSITY</b>	2,1 – 2,3 kg/dm <sup>3</sup>
<b>LINEAR EXPANSION COEFFICIENT</b>	approx. 1,45 x 10 <sup>-5</sup> 1/K
<b>HEAT RESISTANCE</b>	100°C permanent exposure, short-term exposure (5 min.) to 200°C
<b>FROST RESISTANCE</b>	- 50°C
<b>WATER PENETRATION LEVEL</b>	0 mm
<b>WATER ABSORPTION</b>	< 0,05% DIN 52 103 (A)
<b>MATERIAL STRUCTURE</b>	capillary free

**PURPOSE OF USE**

Component for the line drainage of surfaces in order to collect, transport and discharge rainwater from adjacent fixed surfaces.

\*\* Not suitable for the diagonal or transverse travel of motorways and highways.

# MEAKERB 320 & 500

A 15, B 125, C 250, D 400\*\*

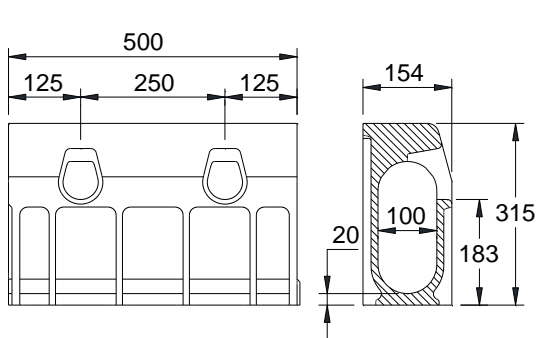
CW 100



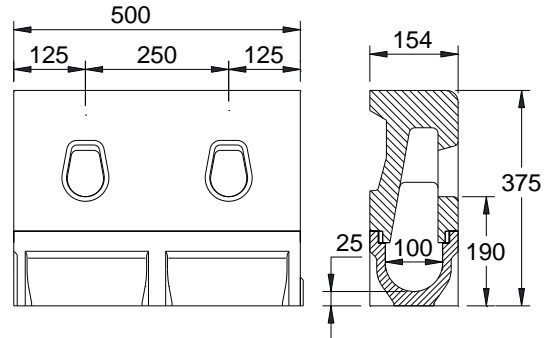
BUILDING SUCCESS

## MEAKERB POLYMER CONCRETE DRAINAGE CHANNEL ONE-PIECE KERBSTONE CHANNEL COMBINATION

Clear width of the channel body 100 mm, total width 154 mm. Loading class D 400\*\* following to EN 1433.



010152196



010152197

## MEAKERB 320-SYSTEM

Designation	Ord. No.	Length [mm]	Height [mm]	kg/unit
MEAKERB 320 Kerbstone Standard monolithic	010152196	500	320	20,51
MEAKERB 320 CS Lower shelf without inlet opening for the entrance area	010152197	500	235	24,12
MEAKERB 320 AP channel element with inspection opening	010152130	500	320	27,00
MEAKERB 320 CF centre element for threshold-free installation in the entrance area	010152143	500	195	38,00
MEAKERB 320 CFL lowering element "left" as connection between centre elements free of low side and threshold	010152145	500	235-195	44,00
MEAKERB 320 CFR lowering element "right" as a connection between centre elements free of low side and threshold	010152147	500	195-235	44,00
MEAKERB 320 CP low side panel with inlet opening for the entrance area	010152149	500	235	24,00
MEAKERB 320 BS High kerbstone for level boarding the bus	010152066	500	375	35,26
MEAKERB 320 BL/H Ramp element "left up" as connection between the ramp Standard and bus boards	010152068	500	347,5-375	34,80
MEAKERB 320 BL/L Ramp element "left down" as connection between the ramp Standard and bus boards	010152070	500	320-347,5	30,30
MEAKERB 320 BR/H Ramp element "right up" as connection between the ramp Standard and bus boards	010152072	500	375-347,5	34,80
MEAKERB 320 BR/L Ramp element "right down" as connection between the ramp Standard and bus boards	010152074	500	347,5-320	30,80
MEAKERB 320 DL/H Lowering element „ left high“ connects standard and lower shelf	010152059	500	320-277,5	44,00
MEAKERB 320 DL/L Lowering element „ left down“ connects standard and lower shelf	010152061	500	277,5-235	44,00
MEAKERB 320 DR/H lowering element "right up" connects standard and lower shelf	010152063	500	277,5-320	44,00
MEAKERB 320 DR/L lowering element "right down" connects standard and lower shelf	010152065	500	235-277,5	44,00
MEAKERB 320/500 Expansion joint disc large	010151799	-	-	0,32

\*\* Not suitable for the diagonal or transverse travel of motorways and highways.

# MEAKERB 320 & 500

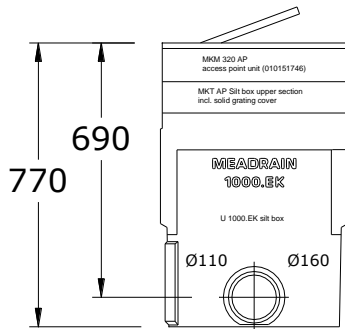
A 15, B 125, C 250, D 400\*\*

CW 100

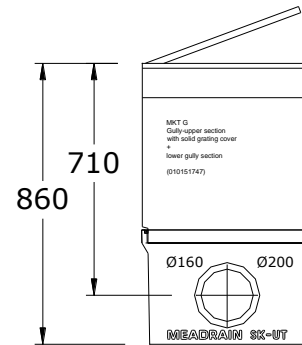


BUILDING SUCCESS

## ACCESSORIES FOR ONE-PIECE KERBSTONE CHANNEL COMBINATION



010151746



010151747+010154726+010154714  
010151747+010154728+010154714

## MEAKERB 320/500 GULLIES

Designation	Ord. No.	Length [mm]	Height [mm]	kg/unit
MEAKERB G-UP Gully top part including closed cover	010151747	520	550	71.35
MEA SK-ZT gully intermediate part made of polymer concrete for a height extension	010154709	524	375	22,00
MEA SK-UT short Gully lower part, with integrated drain socket Ø 160 mm	010154726	524	335	25.16
MEA SK-UT short Gully lower part, with integrated drain socket Ø 200 mm	010154728	524	335	27,00
MEAKERB MKT AP Gully top part including closed ductile iron cover	010151746	500	210	19.5
MEAKERB 1000.EK UT gully bottom part with sediment bucket	010151085	500	580	28,00
MEA Gully plastic Sediment bucket, short. For gully with gully upper and lower part.	010154714	-	-	1.90
MEA Gully plastic Sediment bucket, long. For gully with gully upper, intermediate and lower part.	010154718	-	-	2,50

## MEAKERB 320 END CAPS

Designation	Ord. No.	Material	kg/unit
MEAKERB 320.SE End cap for channel start/end	010152022	Polymer concrete	0.53
MEAKERB 320.R End cap right side with connector Ø 110 mm	010152023	Polymer concrete	3.70
MEAKERB 320.L End cap left side with connector Ø 110 mm	010152024	Polymer concrete	3.70

\*\* Not suitable for the diagonal or transverse travel of motorways and highways.

## MEAKERB 500 POLYMER CONCRETE DRAINAGE CHANNEL ONE-PIECE KERBSTONE CHANNEL COMBINATION

### MEAKERB 500-SYSTEM

Designation	Ord. No.	Length [mm]	Height [mm]	kg/unit
MEAKERB 500 Standard monolithic curb stone	010152176	500	500	28,10
MEAKERB 500 CS low curb without inlet opening for the entry area	010152198	500	415	54,00
MEAKERB 500 AP Standard curb stone	010152142	500	500	29,00
MEAKERB 500 CF Central element for the threshold-free installation in the entry area	010152161	500	375	24,00
MEAKERB 500 CFL Lowering element left as a connection between low curb and threshold-free central elements	010152163	500	415-375	60,00
MEAKERB 500 CFL Lowering element right as a connection between low curb and threshold-free central elements	010152165	500	415-375	60,00
MEAKERB 500 CP low curb element with inlet opening for the entry area	010152167	500	415	31,00
MEAKERB 500 BS High curb stone for the level to board the bus	010152086	500	555	42,50
MEAKERB 500 BLH Ramp element left high as a connection between standard and bus curbs	010152088	500	555-527,5	42,80
MEAKERB 500 BL/L Ramp element left low as a connection between standard and bus curbs	010152090	500	527,5-500	38,30
MEAKERB 500 BR/H Ramp element right as a connection between standard and bus curbs	010152092	500	555-527,5	42,80
MEAKERB 500 BRL Ramp element right low as a connection between standard and bus curbs	010152094	500	527,5-500	38,30
MEAKERB 500 DL/H Lowering element left high standard and low curb	010152067	500	500-457,5	35,53
MEAKERB 500 DL/L lowering element left low connected standard and low curb	010152069	500	457,5-415	32,44
MEAKERB 500 DR/H lowering element right high connects standard and low curb	010152071	500	500-457,5	35,52
MEAKERB 500 DR/L lowering element right low connected standard and low curb	010152073	500	457,5-415	32,36
MEAKERB 320/500 Expansion joint disc large	010151799	-	-	0,32

### MEAKERB 500 END CAPS

Designation	Ord. No.	Material	kg/unit
MEAKERB 500.SE Lower end cap for channel start/end	010152025	Polymer concrete	6,70
MEAKERB 500.R End cap right with an integrated nozzle Ø 110 mm	010152026	Polymer concrete	6,00
MEAKERB 500.L End cap left with an integrated nozzle Ø 110 mm	010152027	Polymer concrete	6,00

\*\* Not suitable for the diagonal or transverse travel of motorways and highways.

This edition of the technical data sheet is valid from October 2021 until the publication of a revised version and replaces earlier publications. The current version is available for download at [www.mea-group.com](http://www.mea-group.com).

MEA Bautechnik GmbH  
Business Unit MEA Water Management  
Sudetenstraße 1  
86551 Aichach  
Tel.: +49 (0) 82 51. 91 0  
Fax: +49 (0) 82 51. 91 13 06  
E-Mail: [info@mea-group.com](mailto:info@mea-group.com)  
[www.mea-group.com](http://www.mea-group.com)