

MEATEC II TOP SECTION / RELIEF CHANNEL

can be walked on and wheelchair passable



MATERIAL CHARACTERISTICS

GALVANISED STEEL	strip galvanized sheet metal EN 10142 DX51-Z275
STAINLESS STEEL	Stainless steel 1.4301 (AISI 304)

Stainless steels form a dense chromium oxide layer (passive layer) under the influence of oxygen to protect against corrosion. Contamination by environmental influences, such as rust film, Sulphur dioxides, soot particles, road salt, table salt, chloride-containing aqueous liquids, can lead to permanent damage of the protective layer.

It is therefore imperative to clean stainless steel products regularly. Under no circumstances should normally steel wool or steel brushes be used for cleaning, as abrasion can cause extraneous rust to form.

We recommend cleaning with steam cleaners and/or steel-free brushes, using suitable (hydrochloric acid-free) stainless steel cleaners.

PURPOSE OF USE

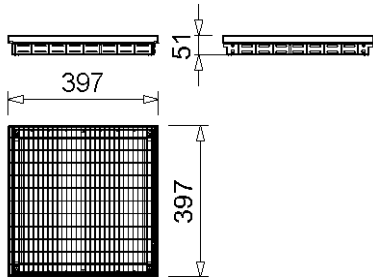
Components for protecting buildings against moisture penetration in sensitive door and facade areas on terraces, roof gardens, balconies and other open spaces, according to flat roof guideline and DIN 18531. Enabled barrier-free construction methods according to DIN 18040, Parts 1 and 2.

MEATEC II TOP SECTION / RELIEF CHANNEL

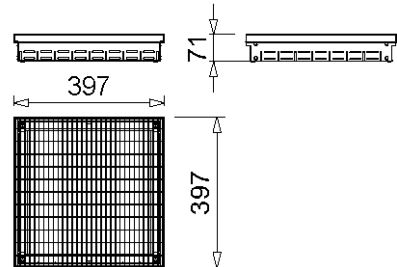
can be walked on and wheelchair passable

MEATEC II TOP SECTION AND RELIEF CHANNEL FIXED CONSTRUCTIVE HEIGHTS / OPTIONAL VARIABLE HEIGHTS WITH ELEVATION DEVICES

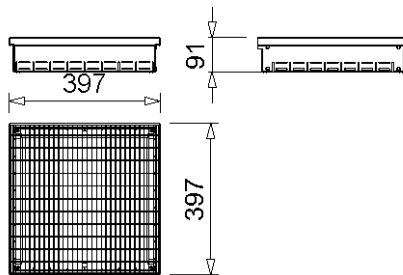
Top section and relief channels made of galvanized or stainless steel, combinable with height-adjustable elevation. With slots on both sides (integrated gravel border). As a cover for point drains. Relief channels for connecting the MEATEC II channels with the top sections below the slab coverings or as pipe connection. For the installation according to the flat roof directive and DIN 18195. Can be walked on and is also wheelchair passable.



010731174



010731182



010731178

MEATEC II TOP SECTION, INCL. MESH GRATING 30/10, WITH ELEVATION OPTION

Designation	Ord. No.	Material	Length [mm]	Width [mm]	Height [mm]	kg/unit
MEATEC II V400x400 top section F50 incl. mesh grating 30/10	010731174	Galv. steel.	397	397	50	4,10
MEATEC II V400x400 top section F70 incl. mesh grating 30/10	010731176	Galv. steel.	397	397	70	4,30
MEATEC II V400x400 top section F90 incl. mesh grating 30/10	010731178	Galv. steel.	397	397	90	4,50
MEATEC II E400x400 top section F50 incl. mesh grating 30/10 *)	010731180	Stainl. steel	397	397	50	4,10
MEATEC II E400x400 top section F70 incl. mesh grating 30/10 *)	010731182	Stainl. steel	397	397	70	4,30
MEATEC II E400x400 top section F90 incl. mesh grating 30/10 *)	010731184	Stainl. steel	397	397	90	4,50

*) Delivery time on demand

MEATEC II TOP SECTION / RELIEF CHANNEL

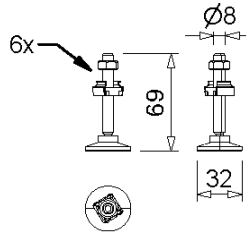
can be walked on and wheelchair passable



BUILDING SUCCESS

MEATEC II ELEVATION

Suitable for all MEATEC II top sections. 6 elevations per top section are required.

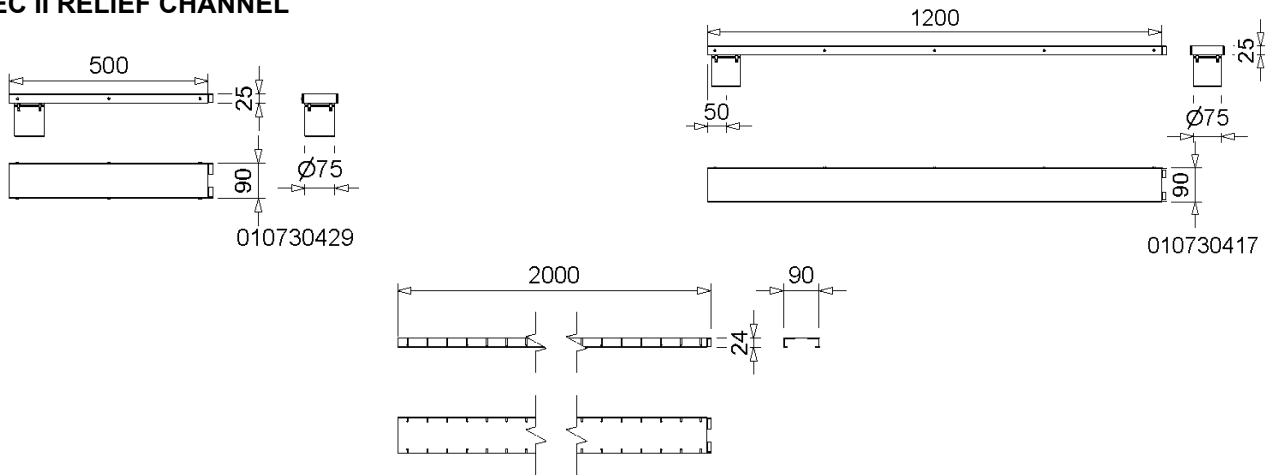


010731172

MEATEC II ELEVATION

Designation	Ord. No.	Material	kg/unit
MEATEC II Elevation 6-pack 24)	010731172	Stainl. steel	0,23

MEATEC II RELIEF CHANNEL



010730429

010730417

010730328

MEATEC II RELIEF CHANNEL OPEN /CLOSED, WITH CONNECTOR OD Ø 75 MM

Designation	Ord. No.	Material	Length [mm]	Height [mm]	kg/unit
MEATEC V90/24-relief channel open-2 m	010730328	Galv. steel.	2000	24	4,40
MEATEC V90/24 relief channel closed with connector Ø 75 mm-1,2 m	010730413	Galv. steel.	1200	24	2,40
MEATEC V90/24 relief channel closed with connector Ø 75 mm-0,5m	010730429	Galv. steel.	500	24	1,00
MEATEC E90/24-relief channel open-2 m *)	010730330	Stainl. steel	2000	24	4,40
MEATEC E90/24 relief channel closed with connector Ø 75 mm-1,2 m *)	010730417	Stainl. steel	1200	24	2,40

*) Delivery time on demand.

24) 6 elevations per meter element of MEATEC II drainage channels or MEATEC II attachment element are required. For MEATEC II drainage channels with a length of two meters, there are 10 elevations per element required.

This edition of the technical data sheet shall be valid from August 2023 until a revised version is published and replaces any previous publications. The current version is available for download at www.mea-group.com.

MEA Bautechnik GmbH
 Business unit MEA Water Management
 Sudetenstraße 1
 86551 Aichach
 Tel.: +49 (0) 82 51. 91 0
 Fax: +49 (0) 82 51. 91 13 06
 E-Mail: info@mea-group.com
www.mea-group.com