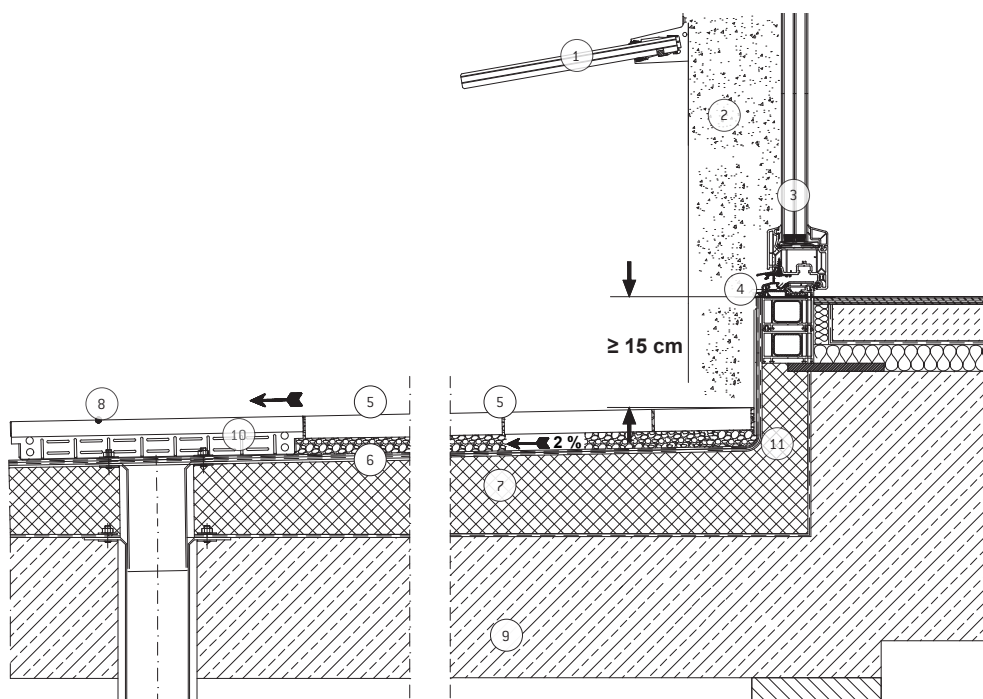


MEATEC II INSTALLATION INSTRUCTIONS

INSTALLATION IN A PAVEMENT WITH GRAVEL BEDDING WITHOUT GUTTER, 15 CM STEP
MEATEC II - installation example 15 cm connection height above surface of covering, according to flat roof guideline, para. 4.4 (1), (warm roof)



- 1- Canopy
- 2- Deep reveals
- 3- Terrace door, resistant to driving rain, with weather board, multiple seals
- 4- Seal against water infiltration
- 5- 2% fall
- 6- Sealing layer (with additional protective layers according to FDR)

- 7- Insulation (with built-in fall)
- 8- Emergency drainage according to standard
- 9- Reinforced concrete floor
- 10- **MEATEC II Drainage system**
MEATEC II Attachment
W x L: 400 x 400 mm, slotted on both sides
connection to branch channel
- 11- Wedge-shaped valley, according to roofing guideline

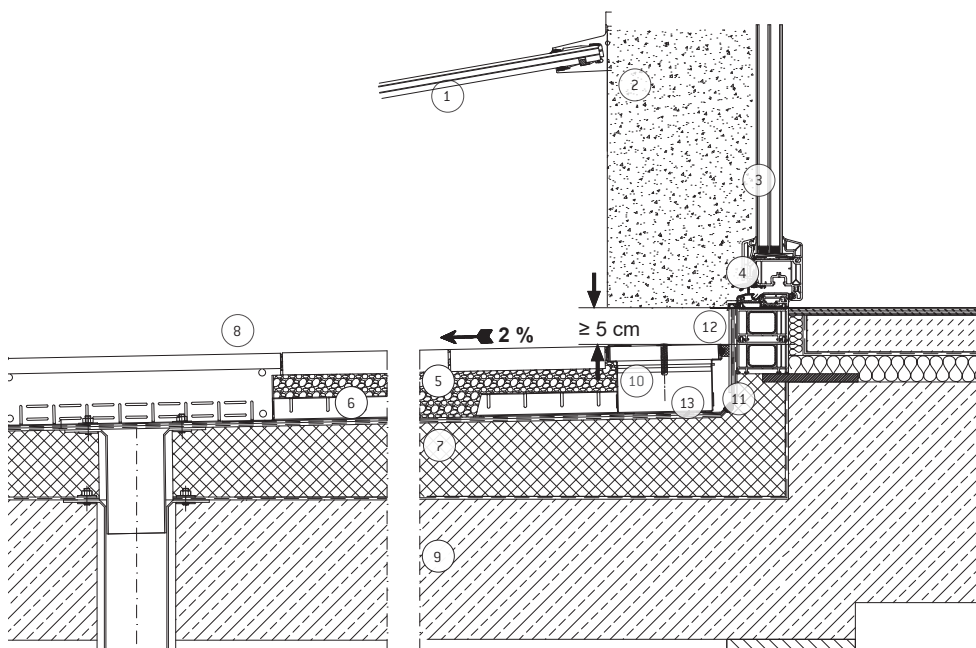
For questions or planning assistance: AnwendungstechnikMWM@mea-group.com

MEA Bautechnik GmbH ■ Sudetenstraße 1 ■ D-86551 Aichach ■ www.mea-group.com
 Business unit MEA Water Management

MEATEC II INSTALLATION INSTRUCTIONS

INSTALLATION IN A PAVEMENT WITH GRAVEL BEDDING IN
COMBINATION WITH A PUNCTURE CHANNEL

**MEATEC II installation example: connection height 5 cm above paving
surface in accordance with flat roof regulations, Section 4.4 (2)**



- | | |
|---|---|
| 1- Canopy | 8- Emergency drainage according to standard |
| 2- Deep reveals | 9- Reinforced concrete floor |
| 3- Terrace door, resistant to driving rain,
with weather board, multiple seals | 10- MEATEC II Drainage system
W= 160 mm, with hydraulic verification (slotted
on both sides to prevent waterlogging) |
| 4- Seal against water infiltration | 11- Wedge-shaped valley, according to roofing guideline |
| 5- 2% fall | 12- Sealing strip |
| 6- Sealing layer (with additional
protective layers according to FDR) | 13- Fasten the ground with suitable adhesive or cold
bituminous adhesive |
| 7- Insulation (with built-in fall) | |

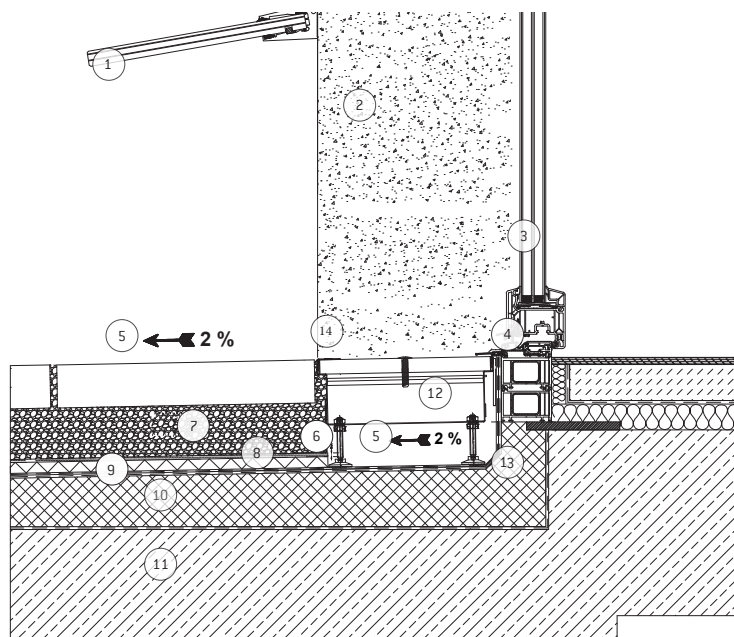
For questions or planning assistance: AnwendungstechnikMWM@mea-group.com

MEA Bautechnik GmbH ■ Sudetenstraße 1 ■ D-86551 Aichach ■ www.mea-group.com
Business unit MEA Water Management

MEATEC II INSTALLATION INSTRUCTIONS

ELEVATED INSTALLATION IN A PAVED SURFACE WITH GRAVEL BEDDING IN COMBINATION WITH A DRAINAGE MAT

MEATEC II installation example for barrier-free construction according to DIN 18040 part 1 & 2 and flat roof guideline, para. 4.4 (3), (warm roof), ground must be checked with regard to load absorption



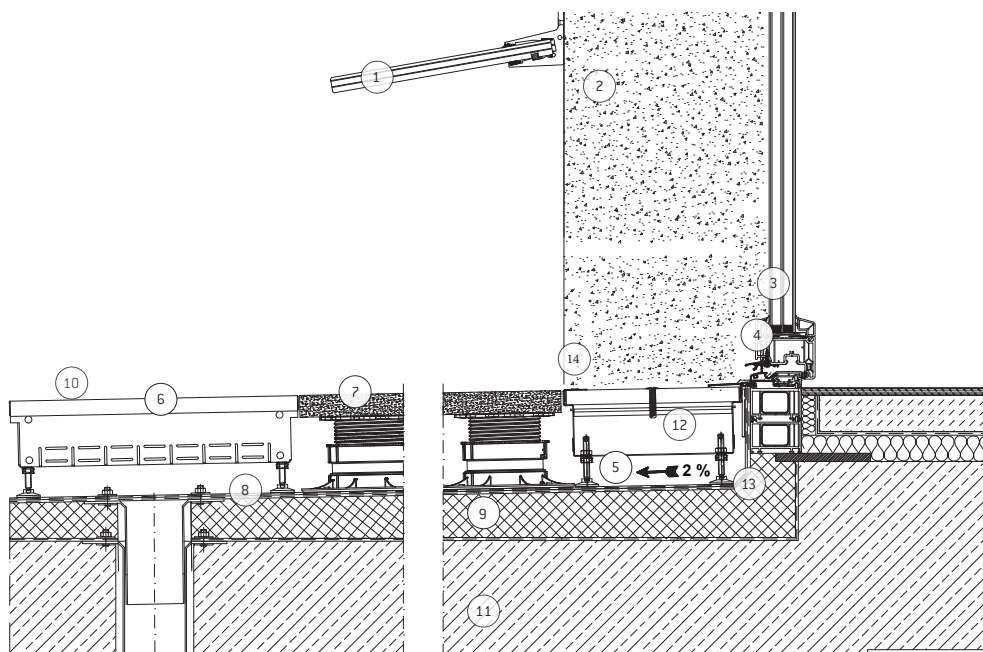
- | | |
|--|--|
| 1- Canopy | 10- Insulation (with built-in fall) |
| 2- Deep reveals | 11- Reinforced concrete floor |
| 3- Terrace door, resistant to driving rain, with weather board, multiple seals | 12- MEATEC II Drainage system
W= 250 mm, with hydraulic verification (slotted on both sides to prevent waterlogging) |
| 4- Seal against water infiltration | 13- Wedge-shaped valley, according to roofing guideline |
| 5- 2% fall | 14- = max. 20 mm threshold according to DIN 18040 |
| 6- Gravel bar | |
| 7- Gravel | |
| 8- Fleece | |
| 9- Drainage mat | |

For questions or planning assistance: AnwendungstechnikMWM@mea-group.com

MEATEC II INSTALLATION INSTRUCTIONS

ELEVATED INSTALLATION IN COMBINATION WITH ELEVATED SLAB DECKING

MEATEC II - Installation example for barrier-free construction according to DIN 18040 part 1 & 2 and flat roof guideline, para. 4.4 (3), warm roof



- | | |
|--|--|
| 1- Canopy | 9- Insulation (with built-in fall) |
| 2- Deep reveals | 10- Emergency drainage according to standard |
| 3- Terrace door, resistant to driving rain, with weather board, multiple seals | 11- Reinforced concrete floor |
| 4- Seal against water infiltration | 12- MEATEC II 200 - 250 |
| 5- 2% fall | MEATEC II drainage system, W= 200/250 mm with hydraulic verification (slotted on both sides to prevent waterlogging) |
| 6- MEA attachment for roof drains | 13- Wedge-shaped valley, according to roofing guideline |
| 7- Raised pavement | 14- = max. 20 mm threshold according to DIN 18040 |
| 8- Sealing layer (with additional protective layers according to FDR) | |

For questions or planning assistance: AnwendungstechnikMWM@mea-group.com

MEA Bautechnik GmbH ■ Sudetenstraße 1 ■ D-86551 Aichach ■ www.mea-group.com
Business unit MEA Water Management