

NEW

DUCTILE IRON FRAME FOR MEARIN PLUS



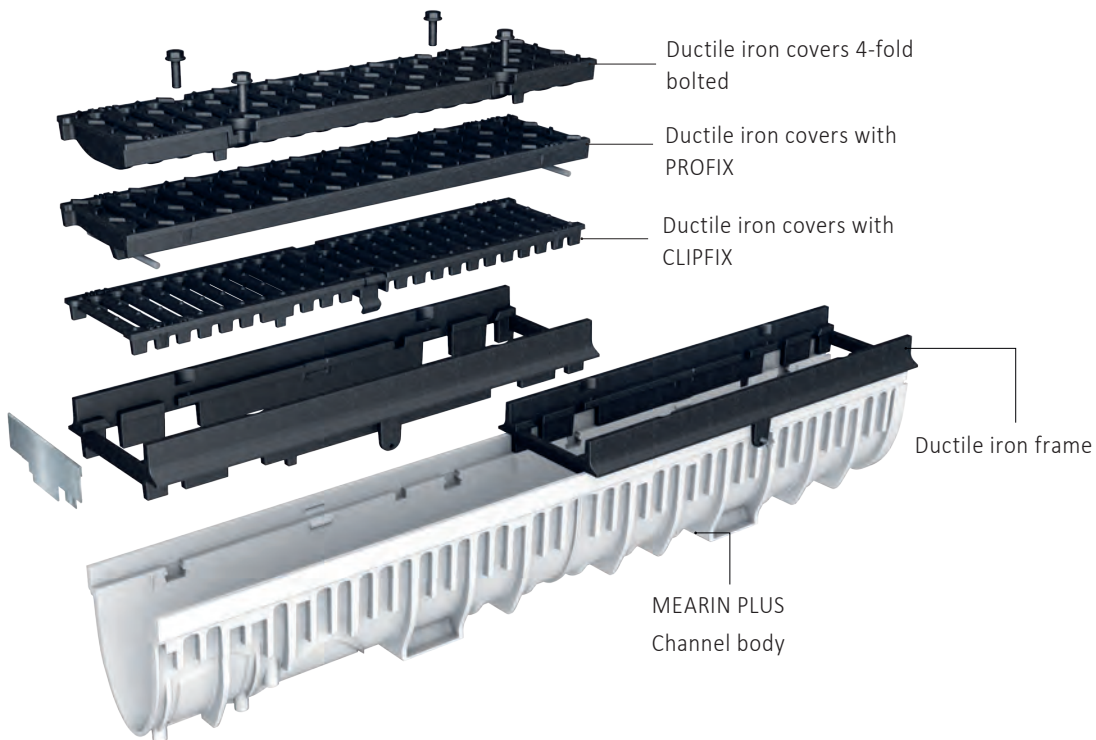
DUCTILE IRON FRAME FOR MEARIN PLUS

SUITABLE FOR MEARIN PLUS 1000 AND 2000, UP TO LOADING CLASS F 900

DUCTILE IRON FRAME MEARIN PLUS 1000 AND 2000

Our ductile iron frames have been developed to complement MEARIN channels and optimize their performance in terms of versatility and load-bearing capacity. Manufactured from high-quality ductile iron, they provide a robust platform for the installation of various grating types. Whether you opt for

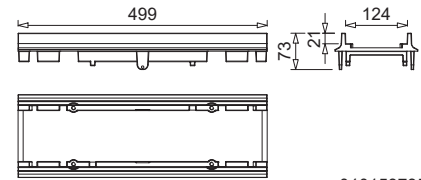
the innovative CLIPFIX system, which enables quick and tool-free installation, the PROFIX system with its secure lock, or boltable on channel covers that guarantee additional safety - our ductile iron frames provide the ideal basis for each of these systems up to loading class F 900.



Advantages

- > Suitable for MEARIN PLUS 1000 and 2000
- > Made from high-quality ductile iron
- > Quick retrofitting of existing MEARIN PLUS channel systems with regard to load capacity (F 900)
- > Suitable for the following grating securing systems: CLIPFIX, PROFIX and 4-fold bolted
- > Durable, environmentally friendly and long lasting value

DUCTILE IRON FRAME FOR MEARIN 1000



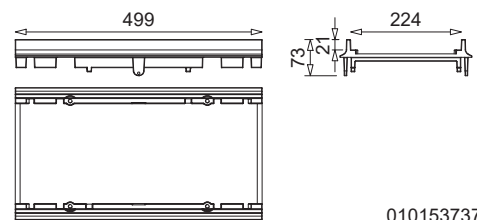
010153735

NEW MEARIN PLUS 1000 Frame made of ductile iron incl. accessories, F 900

Article	Length (mm)	Height (mm)	Material	EAN-Code	kg/unit	unit/pallet	MG
MEARIN PLUS 1000 ductile iron frame-F 900	500	-	Ductile iron	010153735	4,50	1	MR
MEARIN PLUS 1000 end cap galvanised steel for ductile iron frame	-	-	Galv. steel	010140772	0,00	1	MR

> **NOTE: ******The surface coating of ductile iron parts only has a temporary and cosmetic function. Ductile iron is virtually impervious to surface oxidation from environmental influences (e.g. thawing salt). Superficial rust does not constitute a product defect. Of course, the resignation of surface coating is in accordance with all corresponding standards.

DUCTILE IRON FRAME FOR MEARIN 2000



010153737

NEW MEARIN PLUS 2000 Frame made of ductile iron incl. accessories, F 900

Article	Length (mm)	Height (mm)	Material	EAN-Code	kg/unit	unit/pallet	MG
MEARIN PLUS 2000 ductile iron frame-F 900	500	-	Ductile iron	010153737	4,70	1	MR
MEARIN PLUS 2000 end cap galvanised steel for ductile iron frame	-	-	Galv. steel	010140779	0,00	1	MR

> **NOTE: ******The surface coating of ductile iron parts only has a temporary and cosmetic function. Ductile iron is virtually impervious to surface oxidation from environmental influences (e.g. thawing salt). Superficial rust does not constitute a product defect. Of course, the resignation of surface coating is in accordance with all corresponding standards.