

MATERIAL CHARACTERISTICS

FIBERGLASS COMPOSITE	glass-fibre-reinforced polyester, mineral fillers, additives
TENSILE STRENGTH	65 N/mm ² (ISO 527)
BENDING STRENGTH	120 N/mm ² (ISO 14125)
ELASTICITY MODULE	10.000 N/mm ² (ISO 14125)
DENSITY	2,0 g/cm ³ (ISO 1172)
COEFFICIENT OF LINEAR EXPANSION	1,5 - 2,0 x 10 ⁻⁵ 1/K
HEAT RESISTANCE	100°C continuous load, up to 240°C with a load duration up to 110 min.
FROST RESISTANCE	-35°C
WATER PENETRATION LEVEL	0 mm
WATER ABSORPTION	0,078 % (EN ISO 62:2008-05 Procedure 1)
MATERIAL STRUCTURE	Capillary free

PURPOSE OF USE

Component for the line drainage of surfaces in order to collect, transport and discharge rainwater from adjacent fixed surfaces.

***) Not suitable for the diagonal or transverse travel of motorways and highways.

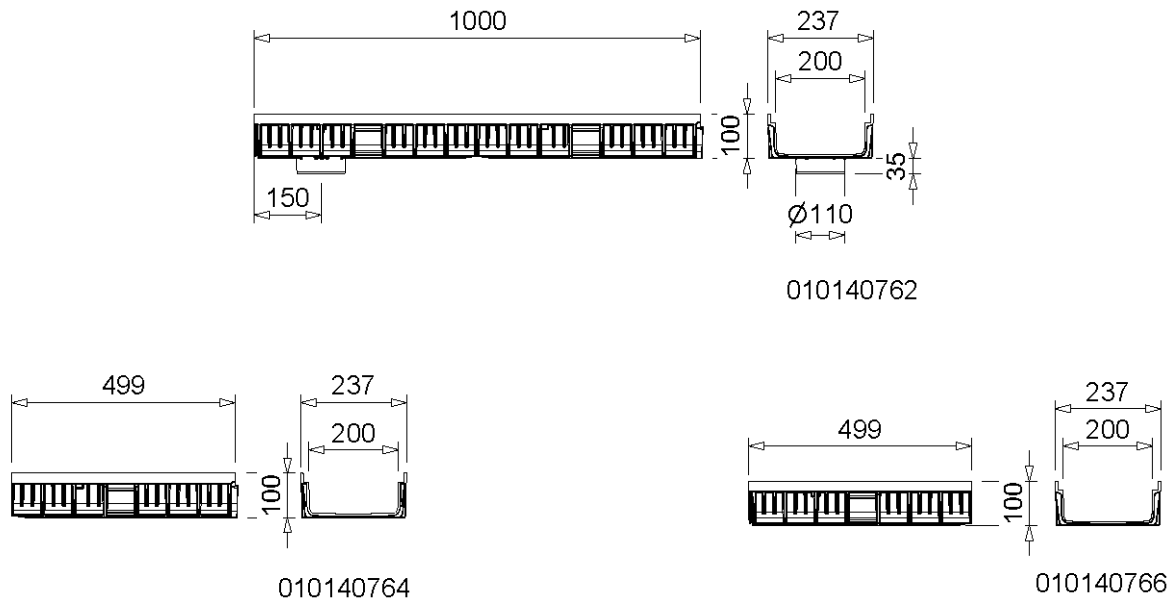
MEARIN PLUS / F / BLACK 2000

A 15, B 125, C 250, D 400**

nominal width 200

MEARIN PLUS F 2000 SHALLOW DRAINAGE CHANNEL WITH GRP EDGE AND SEALING JOINT ACCORDING TO EN 1433

Shallow channel made of glass-fibre-reinforced composite material. Clear width 200 mm, total width 237 mm. Suitable for all channel covers **MEA 200 CLIPFIX** and **MEA TSH 200 TOPSLOT**. For the realisation of water level slopes. Loading classes A 15 to D 400** according to EN 1433. Load capacity according to specification when installed according to the MEA installation instructions.



MEARIN PLUS F (BLACK) 2000 SHALLOW DRAINAGE CHANNEL BODY WITHOUT FALL, LOADING CLASSES UP TO D 400 **)

Designation	Ord. No.	Length [mm]	Height [mm]	kg/unit
MEARIN PLUS F 2000.0/100 shallow drainage channel body **)	010140760	1000	100	3,38
MEARIN PLUS F 2000.0 A/100 shallow drainage channel body with Ø 110 mm outlet 8) **)	010140762	1000	100	3,38
MEARIN PLUS F 2000.1/100 shallow drainage channel body **)	010140764	500	100	1,69
MEARIN PLUS F 2000.1 RW/100 shallow drainage channel body for change of drain direction 15) **)	010140766	500	100	1,69
MEARIN PLUS F BLACK 2000.0/100 shallow drainage channel body **)	010140763	1000	100	3,38
MEARIN PLUS F BLACK 2000.0 A/100 shallow drainage channel body with Ø 110 mm outlet 8) **)	010140765	1000	100	3,38
MEARIN PLUS F BLACK 2000.1/100 shallow drainage channel body **)	010140767	500	100	1,69
MEARIN PLUS F BLACK 2000.1 RW/100 shallow drainage channel body for change of drain direction 15) **)	010140769	500	100	1,69

**) Not suitable for the diagonal or transverse travel of motorways and highways.

8) With tight formed-in drain outlet Ø 110 mm.

15) Utilization option as a flow direction change.

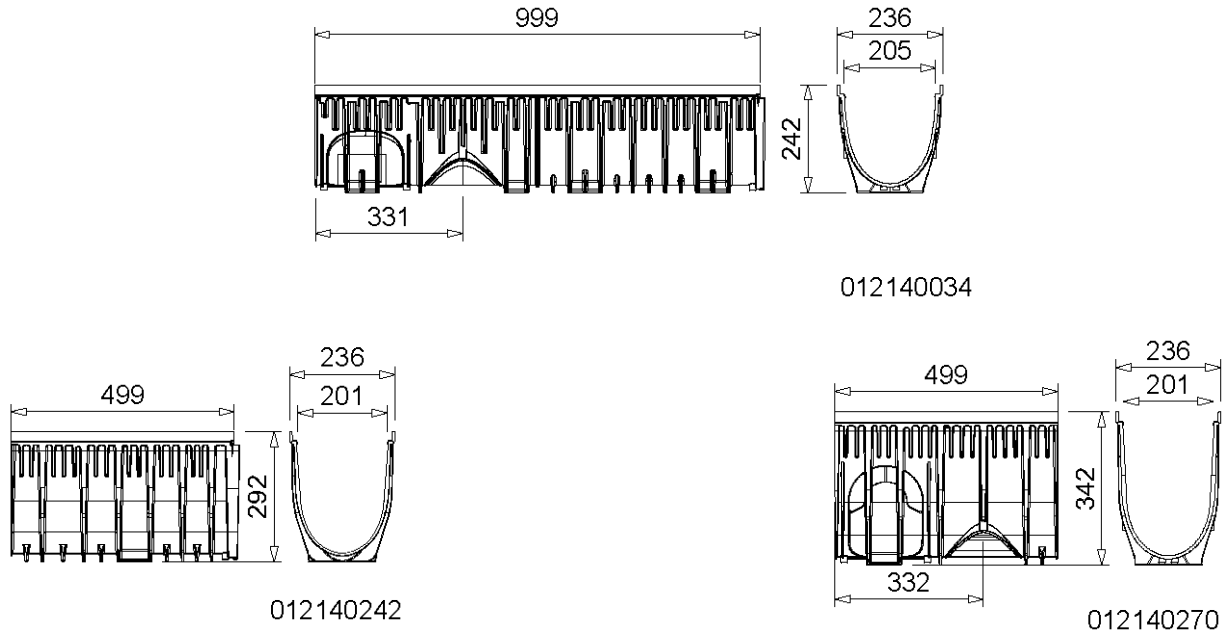
MEARIN PLUS / F / BLACK 2000

A 15, B 125, C 250, D 400**

nominal width 200

MEARIN PLUS 2000 DRAINAGE CHANNEL WITHOUT FALL WITH GRP EDGE AND SEALING JOINT ACCORDING TO EN 1433

Channel made of glass-fibre-reinforced composite material. Clear width 200 mm, total width 236 mm. Suitable for all channel covers **MEA 200 CLIPFIX** and **MEA TSH 200 TOPSLOT**. For the realisation of water level slopes. Loading classes A 15 to D 400** according to EN 1433. Load capacity according to specification when installed according to the MEA installation instructions.



MEARIN PLUS 2000 DRAINAGE CHANNEL BODY WITHOUT FALL, LOADING CLASSES UP TO D 400 **)

Designation	Ord. No.	Length [mm]	Height [mm]	kg/unit
MEARIN PLUS 2000.0 Drainage channel body 5) 14) **)	012140034	1000	242	6,00
MEARIN PLUS 2000.1 Drainage channel body 3) **)	012140036	500	242	3,35
MEARIN PLUS 2000.1 RW Drainage channel for change of drain direction 5) 14) 15) **)	012140038	500	242	3,35
MEARIN PLUS 2010.0 Drainage channel body 5) **)	012140240	1000	292	7,10
MEARIN PLUS 2010.1 Drainage channel body 3) **)	012140242	500	292	3,55
MEARIN PLUS 2010.1 RW Drainage channel for change of drain direction 5) 15) **)	012140244	500	292	3,55
MEARIN PLUS 2020.0 Drainage channel body 5) **)	012140266	1000	342	7,94
MEARIN PLUS 2020.1 Drainage channel body 3) **)	012140268	500	342	3,97
MEARIN PLUS 2020.1 RW Drainage channel for change of drain direction 5) 15) **)	012140270	500	342	3,97

**) Not suitable for the diagonal or transverse travel of motorways and highways.

3) Connection option for end caps with connector or for gullies / silt boxes.

5) Connection option for vertical drain Ø 160 mm (drainage preformation), end caps with connector or to gullies / silt boxes.

14) Connection option for corner-, t- and cross- connections.

15) Utilization option as a flow direction change.

MEARIN PLUS / F / BLACK 2000

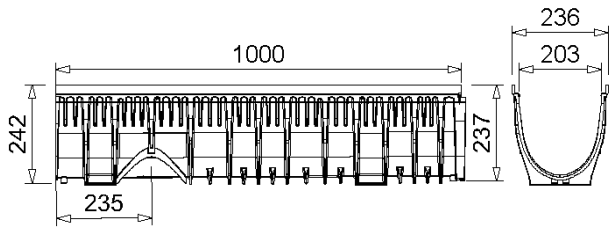
A 15, B 125, C 250, D 400**

nominal width 200

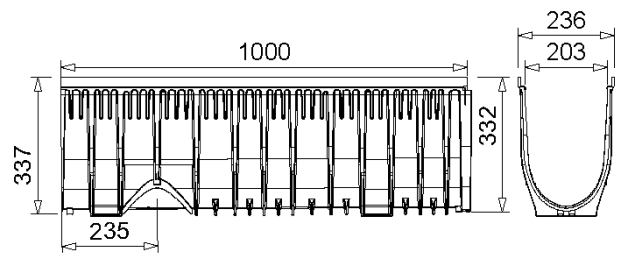
MEARIN PLUS 2000 CHANNEL BODY WITH FALL (0.5%)

WITH GLASS-FIBRE-REINFORCED COMPOSITE EDGE AND SEALING JOINT ACCORDING TO EN 1433

Channels made of glass-fibre-reinforced composite. Clear width 200 mm, total width 236 mm. Suitable for all drainage channel covers **MEA 200 CLIPFIX** and **TOPSLOTS MEA TSH 200**. For the realisation of linear slopes (with slope 0.5%). Loading classes A 15 to D 400** according to EN 1433. Load capacity according to specification, when installed according to the MEA installation instructions.



012140220



012140264

MEARIN PLUS 2000 DRAINAGE CHANNEL BODY WITH FALL 0.5%, LOADING CLASSES UP TO D 400 **)

Designation	Ord. No.	Length [mm]	Height [mm]	Height 2 [mm]	kg/ unit
MEARIN PLUS 2001 Drainage channel body 2) **)	012140220	1000	242	247	6,06
MEARIN PLUS 2002 Drainage channel body 2) **)	012140222	1000	247	252	6,13
MEARIN PLUS 2003 Drainage channel body 2) **)	012140224	1000	252	257	6,21
MEARIN PLUS 2004 Drainage channel body 2) **)	012140226	1000	257	262	6,29
MEARIN PLUS 2005 Drainage channel body 2) **)	012140228	1000	262	267	6,36
MEARIN PLUS 2006 Drainage channel body 2) **)	012140230	1000	267	272	6,44
MEARIN PLUS 2007 Drainage channel body 2) **)	012140232	1000	272	277	6,51
MEARIN PLUS 2008 Drainage channel body 2) **)	012140234	1000	277	282	6,59
MEARIN PLUS 2009 Drainage channel body 2) **)	012140236	1000	282	287	6,67
MEARIN PLUS 2010 Drainage channel body 5) **)	012140238	1000	287	292	6,74
MEARIN PLUS 2011 Drainage channel body 2) **)	012140246	1000	292	297	6,82
MEARIN PLUS 2012 Drainage channel body 2) **)	012140248	1000	297	302	6,89
MEARIN PLUS 2013 Drainage channel body 2) **)	012140250	1000	302	307	6,97
MEARIN PLUS 2014 Drainage channel body 2) **)	012140252	1000	307	312	7,05
MEARIN PLUS 2015 Drainage channel body 2) **)	012140254	1000	312	317	7,12
MEARIN PLUS 2016 Drainage channel body 2) **)	012140256	1000	317	322	7,20
MEARIN PLUS 2017 Drainage channel body 2) **)	012140258	1000	322	327	7,27
MEARIN PLUS 2018 Drainage channel body 2) **)	012140260	1000	327	332	7,35
MEARIN PLUS 2019 Drainage channel body 2) **)	012140262	1000	332	337	7,43
MEARIN PLUS 2020 Drainage channel body 5) **)	012140264	1000	337	342	7,50

**) Not suitable for the diagonal or transverse travel of motorways and highways.

2) Connection option for vertical drain Ø 160 mm.

5) Connection option for vertical drain Ø 160 mm (drainage preformation), end caps with connector or to gullies / silt boxes.

MEARIN PLUS / F / BLACK 2000

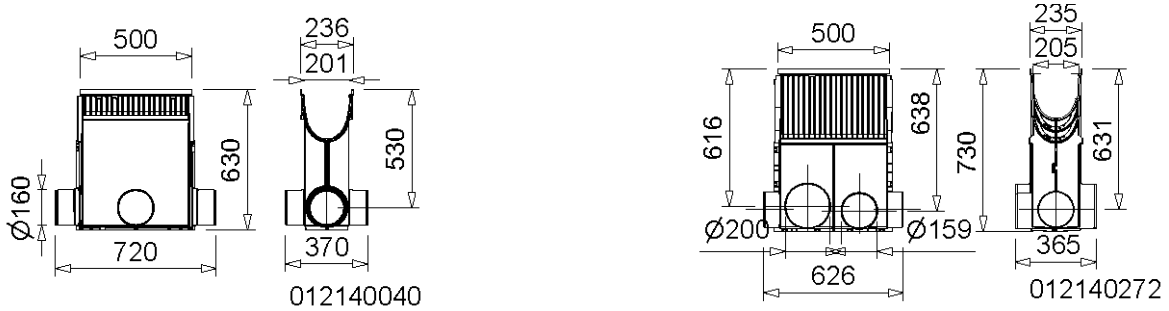
A 15, B 125, C 250, D 400**

nominal width 200



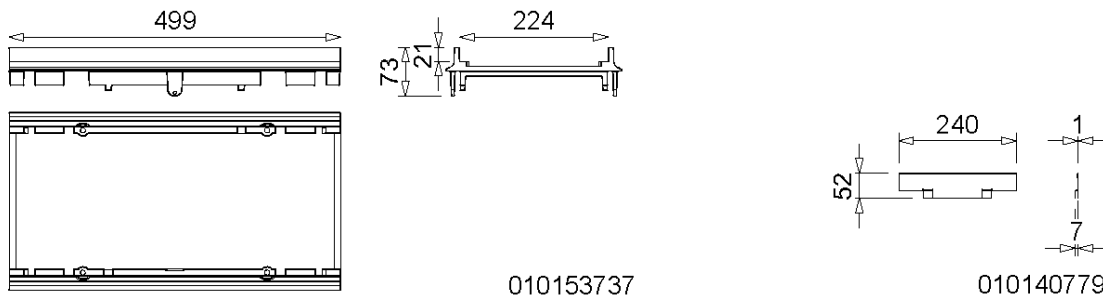
BUILDING SUCCESS

MEARIN PLUS 2000 ACCESSORIES



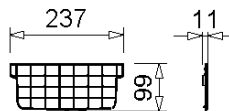
MEARIN PLUS 2000 SILT BOX WITHOUT COVER, WITH SEDIMENT BUCKET **)

Designation	Ord. No.	Length [mm]	Height [mm]	kg/unit
MEARIN PLUS 2000.EK silt box with outlet Ø 160 mm, incl. sediment bucket **)	012140040	500	630	7,60
MEARIN PLUS 2000-2020.EK Gully with pipe connector Ø 160 mm / Ø 200 mm, incl. sediment bucket **)	012140272	500	730	11,50
MEARIN PLUS / EXPERT 2000 sediment bucket	010710067	-	-	0,70



MEARIN PLUS 2000 FRAME MADE OF DUCTILE IRON INCL. ACCESSORIES, F 900

Designation	Ord. No.	Material	Length [mm]	Height [mm]	kg/unit
MEARIN PLUS 2000 ductile iron frame-F 900	010153737	Ductile iron	500	21	4,70
MEARIN PLUS 2000 end cap galvanised steel for ductile iron frame	010140779	Galv. steel	1	52	0,10
MEARIN PLUS ductile iron frame bolts, galvanised, 4 pieces	010141939	Galv. steel	-	-	0,03



010140768

MEARIN PLUS F (BLACK) 2000 END CAPS FOR SHALLOW CHANNEL

Designation	Ord. No.	Height [mm]	Material	kg/unit
MEARIN PLUS F 2000.SE End cap closed for shallow channel start/end	010140768	100	PC	0,04
MEARIN PLUS F BLACK 2000.SE End cap closed for shallow channel start/end	010140771	100	PC	0,04

**) Not suitable for the diagonal or transverse travel of motorways and highways.

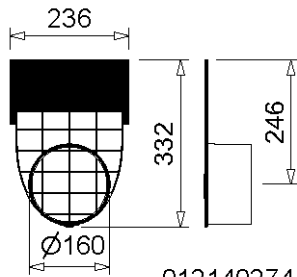
MEARIN PLUS / F / BLACK 2000

A 15, B 125, C 250, D 400**

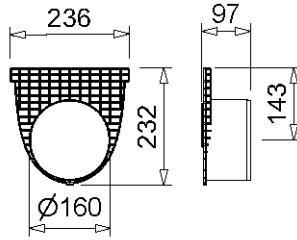
nominal width 200



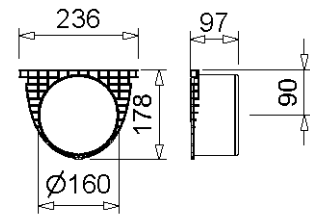
BUILDING SUCCESS



012140274



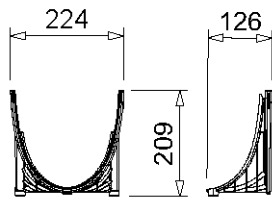
010140110



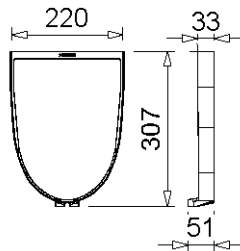
010140112

MEARIN PLUS/EXPERT 2000 END CAPS

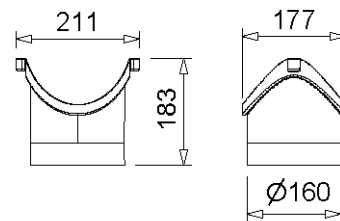
Designation	Ord. No.	Height [mm]	Material	kg/unit
MEARIN PLUS/EXPERT 2000-2020.SE/Ø160 End cap closed, for channel start/end with preforming for Ø 160 mm pipe connection	012140274	332	PC	0,30
MEARIN PLUS/EXPERT 2000.SE End cap closed for channel start/end	010140108	323	PC	0,18
MEARIN PLUS/EXPERT 2000.E End cap with outlet Ø 160 mm for channel end	010140110	232	PP	0,19
MEARIN PLUS/EXPERT 2000.ES End cap with outlet Ø 160 mm for lateral channel connector *)	010140112	178	PP	0,24



010140114



010140894



010140117

MEARIN PLUS/EXPERT 2000 CONNECTION ACCESSORIES

Designation	Ord. No.	Height [mm]	Material	kg/unit
MEARIN PLUS/EXPERT 2000 adapter for lateral channel connector, to corner, T and cross connections	010140114	209	PP	0,09
MEARIN PLUS/EXPERT 2010.0 adapter for lateral channel connection, for corner, T and cross connections	010140628	261	PC	0,15
MEARIN PLUS/EXPERT 2020.0 adapter for lateral channel connection, for corner, T and cross connections	010140890	311	PC	0,16
MEARIN PLUS/EXPERT 2010.T channel connector for low point channels no. 10	010140892	257	PC	0,09
MEARIN PLUS/EXPERT 2020.T channel connector for low point channels no. 20	010140894	307	PC	0,10
MEARIN PLUS/EXPERT 1500 - 2000 Vertical outlet connection Ø 160 mm	010140117	182	PP	0,14
MEARIN PLUS/EXPERT 2000 Odour trap with dirt filter and dirt trap	010140546	-	PP, Galv. steel	2,00

*) Delivery time upon request.

JOINTING COMPOUNDS FOR STANDARD APPLICATIONS *)**

Designation	Ord. No.	Material	kg/unit
SABA MS Floor GREY sealant 600 ml in a bag, stable ***)	010152708	MS-Polymer-Basis	0,88
SABA MS Floor BLACK sealant 600 ml in a bag, stable ***)	010152700	MS-Polymer-Basis	0,84
SABA Primer 9102 for undercoat, 1 liter	010155803	Silan-Basis	0,92
Joint Cleaner solvent 48, 1 liter, Cleaner for adhesive flanks	010155807	-	0,84
Dispensing gun for 600 ml bags	010152707	-	0,63

***) For watertight mounting of drainage channels (only for channels transporting rain water). Not suitable for installation in LAU facilities, gaz stations or similar constructions.

This edition of the technical data sheet shall be valid from April 2024 until a revised version is published and replaces any previous publications. The respectively current version is available for download at www.mea-group.com.

MEA Bautechnik GmbH
 Business unit MEA Water Management
 Sudetenstraße 1
 86551 Aichach
 Tel.: +49 (0) 82 51. 91 0
 Fax: +49 (0) 82 51. 91 13 06
 E-Mail: info@mea-group.com
www.mea-group.com