

MATERIAL CHARACTERISTICS

POLYMER CONCRETE	on a Polyester resin basis, with mineral fillers, additives
COMPRESSIVE STRENGTH	≥ 90 N/mm ²
BENDING STRENGTH	≥ 22 N/mm ²
ELASTICITY MODULE	25,000 – 35,000 N/mm ²
DENSITY	2,1 – 2,3 kg/dm ³
COEFFICIENT OF LINEAR EXPANSION	Approx. 1.45 x 10 ⁻⁵ 1/K
HEAT RESISTANCE	100°C continuous load, up to 200°C with a load duration up to 5 min.
FROST RESISTANCE	- 50 °C
WATER ABSORPTION	< 0.05% DIN 52 103 (A)

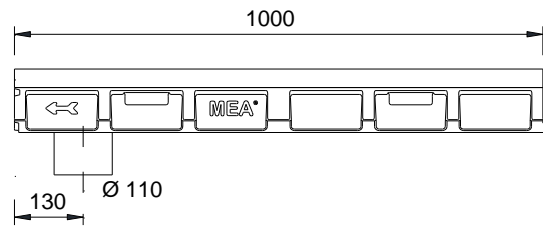
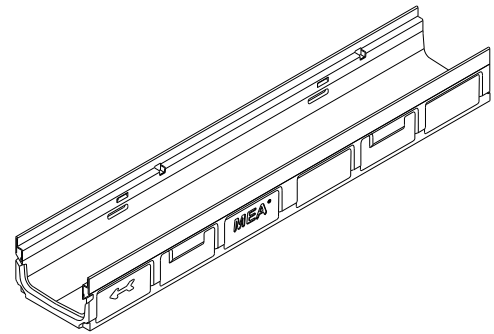
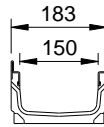
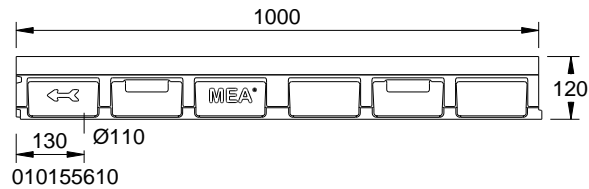
PURPOSE OF USE

Component for the line drainage of surfaces in order to collect, transport and discharge rain water from adjacent fixed surfaces.

** Not suitable for the diagonal or transverse travel of motorways and highways.

MEADRAIN SVF 1500 FLAT POLYMER CONCRETE DRAINAGE CHANNEL WITH SEALING JOINT

Clear width of the channel body 150 mm, total width 183 mm. Suitable for all channel covers MEA 150 CLIPFIX with longitudinal shift protection and MEA TSH 150 TOPSLOT. For the realization of water level slopes. Loading classes A 15 to E 600**



010155612

MEADRAIN SVF 1500 DRAINAGE CHANNEL BODY WITHOUT FALL, LOADING CLASS E 600 ACCORDING TO EN 1433**

Description	Order No.	Length [mm]	Constructive height [mm]	kg/unit
MEADRAIN SVF 1500.0/120 DRAINAGE CHANNEL BODY ¹⁾	010155610	1000	120	14,90
MEADRAIN SVF 1500.0 A/120 DRAINAGE CHANNEL BODY WITH TIGHT FORMED-IN FLANGED DRAIN SOCKET Ø 110 MM ⁸⁾	010155612	1000	120	14,90

** Not suitable for the diagonal or transverse travel of motorways and highways.

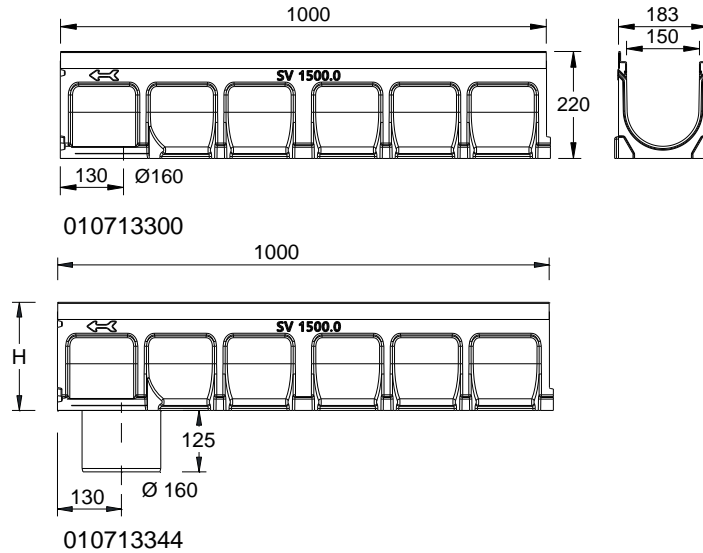
1) Connection option for vertical drain Ø 110 mm

8) With tight formed-in drain socket Ø 110 mm.

MEADRAIN SV 1500 POLYMER CONCRETE DRAINAGE CHANNEL

WITH 4 MM EDGE PROTECTION MADE OF GALVANISED STEEL, SEALING JOINT ACCORDING TO EN 1433

Clear width of the channel body 150 mm, total width 183 mm. Suitable for all channel covers MEA 150 CLIPFIX with longitudinal shift protection and MEA TSH 150 TOPSLOT. For the realization of water level slopes. Loading classes A 15 to E 600**



MEADRAIN SV 1500 DRAINAGE CHANNEL BODY WITHOUT FALL, LOADING CLASS E 600 ACCORDING TO EN 1433**

Description	Order No.	Length [mm]	Constructive height [mm]	kg/unit
MEADRAIN SV 1500.0 Drainage channel body ⁵⁾	010713300	1000	220	23,27
MEADRAIN SV 1500.0/A Drainage channel with tight formed-in flanged drain socket Ø 160 mm ⁹⁾	010713302	1000	220	22,60
MEADRAIN SV 1500.1 Drainage channel body ^{5) 14)}	010713334	500	220	11,10
MEADRAIN SV 1510.0 Drainage channel body ⁵⁾	010713336	1000	270	25,30
MEADRAIN SV 1510.0/A Drainage channel with tight formed-in flanged drain socket Ø 160 mm ⁹⁾	010713338	1000	270	25,80
MEADRAIN SV 1510.1 Drainage channel body ^{5) 14)}	010713340	500	270	11,50
MEADRAIN SV 1520.0 Drainage channel body ⁵⁾	010713342	1000	320	28,70
MEADRAIN SV 1520.0/A Drainage channel with tight formed-in flanged drain socket Ø 160 mm ⁹⁾	010713344	1000	320	29,20
MEADRAIN SV 1520.1 Drainage channel body ^{5) 14)}	010713346	500	320	11,90

** Not suitable for the diagonal or transverse travel of motorways and highways.

5) Connection option for vertical drain Ø 160 mm (drainage deformation) or to a gully

9) Channel elements with tight formed-in drain socket Ø 160 mm

14) Connection option for corner, t and cross connections

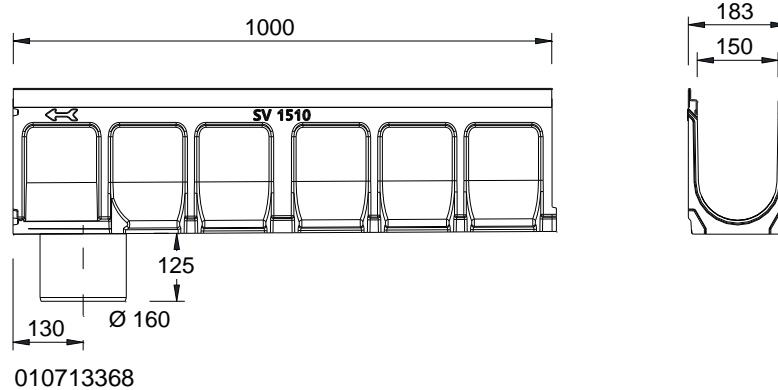
MEADRAIN SV / SE / SG and SVF / SEF / SGF 1500

A 15, B 125, C 250, D 400**, E 600**

nominal width 150

MEADRAIN SV 1500 POLYMER CONCRETE DRAINAGE CHANNEL WITH 4 MM EDGE PROTECTION MADE OF GALVANISED STEEL, SEALING JOINT ACCORDING TO EN 1433

Clear width of the channel body 150 mm, total width 183 mm. Suitable for all channel covers MEA 150 CLIPFIX with longitudinal shift protection and MEA TSH 150 TOPSLOT. For the realization of a linear fall or with fall 0.5%. Loading classes A 15 to E 600**



MEADRAIN SV 1500 DRAINAGE CHANNEL BODY WITH FALL 0.5%, LOADING CLASS E 600** ACCORDING TO EN 1433

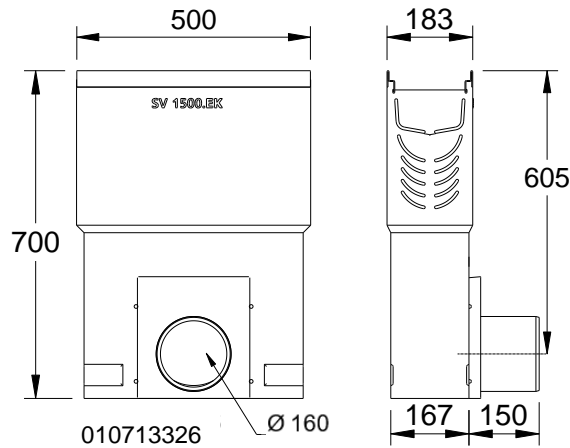
Description	Order No.	Length [mm]	Constructive height [mm]	Kg/unit
MEADRAIN SV 1501 Drainage channel body	010713312	1000	220-225	22,60
MEADRAIN SV 1502 Drainage channel body	010713314	1000	225-230	23,00
MEADRAIN SV 1503 Drainage channel body	010713316	1000	230-235	23,20
MEADRAIN SV 1504 Drainage channel body	010713318	1000	235-240	23,60
MEADRAIN SV 1505 Drainage channel body	010713320	1000	240-245	23,80
MEADRAIN SV 1506 Drainage channel body	010713348	1000	245-250	24,20
MEADRAIN SV 1507 Drainage channel body	010713350	1000	250-255	24,50
MEADRAIN SV 1508 Drainage channel body	010713352	1000	255-260	24,90
MEADRAIN SV 1509 Drainage channel body	010713354	1000	260-265	25,10
MEADRAIN SV 1510 Drainage channel body ⁵⁾	010713356	1000	265-270	25,10
MEADRAIN SV 1510/A Drainage channel with tight formed-in flanged drain socket \varnothing 160 mm ⁹⁾	010713368	1000	265-270	25,70

** Not suitable for the diagonal or transverse travel of motorways and highways

5) Connection option for vertical drain \varnothing 160 mm (drainage deformation) or to a gully

9) Channel elements with tight formed-in drain socket \varnothing 160 mm

MEADRAIN SV AND SVF 1500 DRAINAGE CHANNEL ACCESSORIES

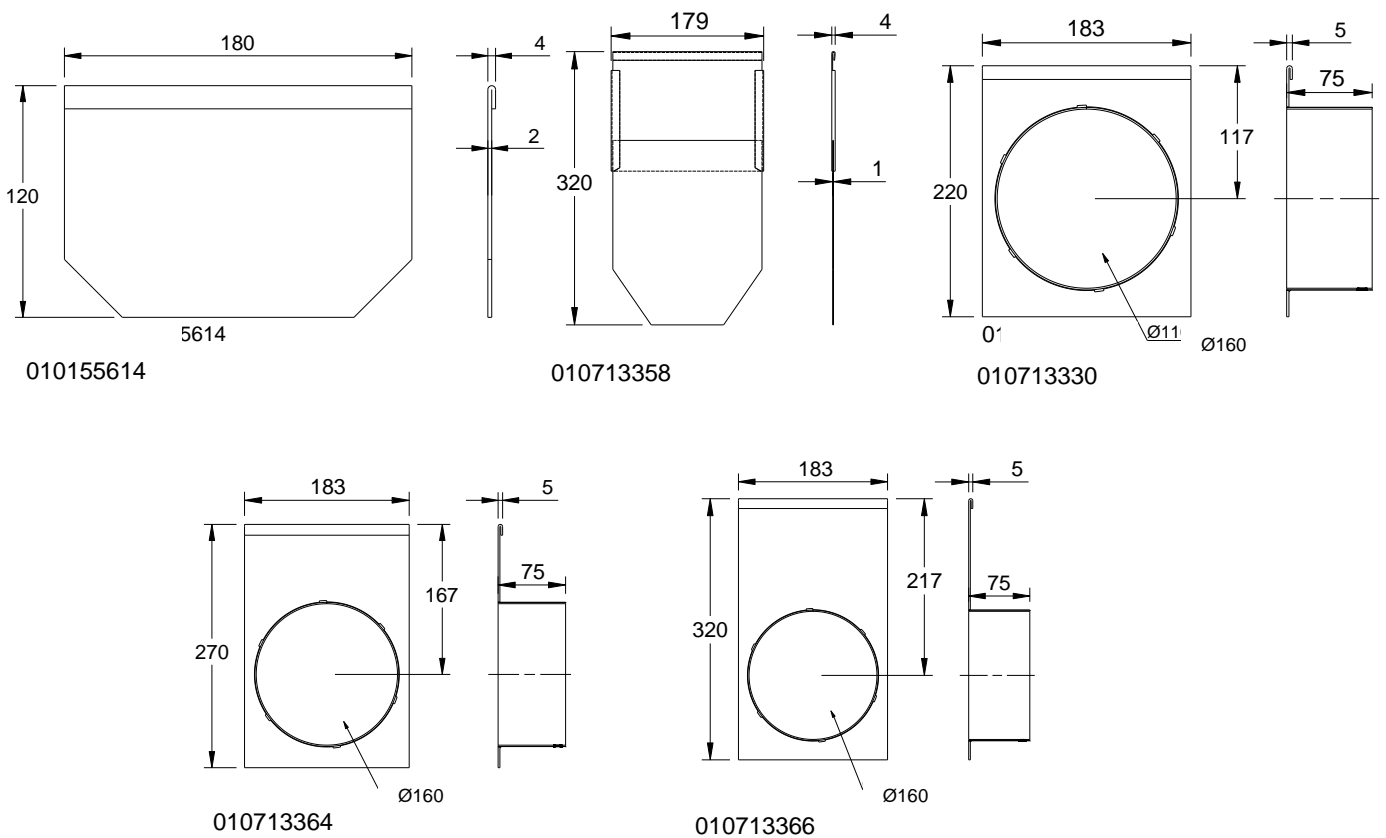


MEADRAIN SV/SVF 1500 GULLY MADE OF POLYMER CONCRETE INCL. PLASTIC SEDIMENT BUCKET

Description	Order No.	Length [mm]	Constructive height [mm]	kg/unit
MEADRAIN SV 1500.EK160 gullies with sediment bucket, for Ø 160 mm pipe connector, open on both sides for construction heights 220 mm	010713326	500	700	37,90

** Not suitable for the diagonal or transverse travel of motorways and highways

MEADRAIN SV AND SVF 1500 DRAINAGE CHANNEL ACCESSORIES



MEADRAIN SVF AND SV 1500 END CAPS

Description	Order No.	Material	kg/unit
MEADRAIN SVF 1500.SE End cap for flat channel for channel start/end	010155614	Galv. steel	0,18
MEADRAIN SV 1500-20.SE End cap for channel start/ end, height-adjustable	010713358	Galv. steel	0,50
MEADRAIN SV 1500.E End cap with connection piece Ø 160 mm for channel end, fixed height	010713330	Galv. steel	0,75
MEADRAIN SV 1510.E End cap with connection piece Ø 160 mm for channel end, fixed height	010713364	Galv. steel	0,85
MEADRAIN SV 1520.E End cap with connection piece Ø 160 mm for channel end, fixed height	010713366	Galv. steel	0,95

** Not suitable for the diagonal or transverse travel of motorways and highways.

MEADRAIN SV / SE / SG and SVF / SEF / SGF 1500

A 15, B 125, C 250, D 400**, E 600**

nominal width 150

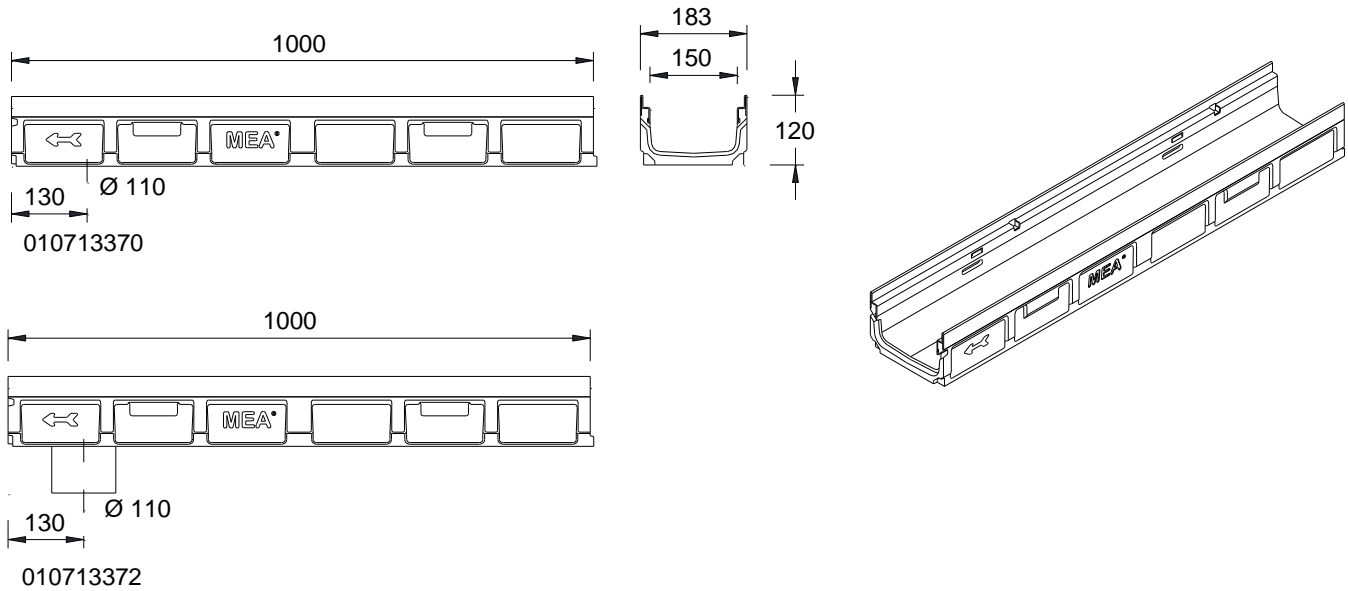


BUILDING SUCCESS

MEADRAIN SEF 1500 FLAT POLYMER CONCRETE DRAINAGE CHANNEL

WITH 4 MM EDGE PROTECTION MADE OF STAINLESS STEEL, SEALING JOINT ACCORDING TO EN 1433

Clear width of the channel body 150 mm, total width 183 mm. Suitable for all channel covers MEA 150 CLIPFIX with longitudinal shift protection and MEA TSH 150 TOPSLOT. For the realization of water level slopes. Loading classes A 15 to E 600**



MEADRAIN SEF 1500 DRAINAGE CHANNEL BODY, LOADING CLASS E 600** ACCORDING TO EN 1433

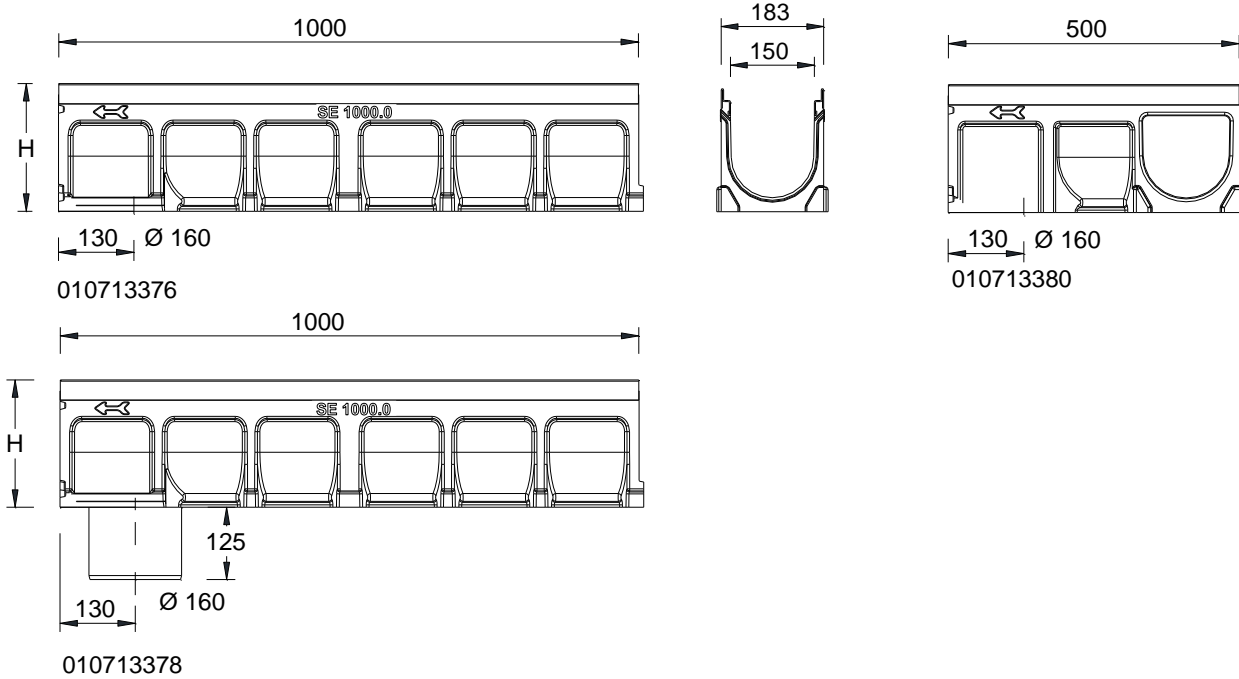
Description	Order No.	Length [mm]	Constructive height [mm]	kg/unit
MEADRAIN SEF 1500.0/120 Drainage channel body ¹⁾	010713370	1000	120	14,90
MEADRAIN SEF 1500.0 A/120 Drainage channel with tight formed-in flanged drain socket Ø 110 mm ⁸⁾	010713372	1000	120	14,90

** Not suitable for the diagonal or transverse travel of motorways and highways

- 1) Connection option for vertical drain Ø 110 mm
- 8) With tight formed-in drain socket Ø 110 mm

MEADRAIN SE 1500 POLYMER CONCRETE DRAINAGE CHANNEL WITH 4 MM EDGE PROTECTION MADE OF STAINLESS STEEL, SEALING JOINT ACCORDING TO EN 1433

Clear width of the channel body 150 mm, total width 183 mm. Suitable for all channel covers MEA 150 CLIPFIX with longitudinal shift protection and MEA TSH 150 TOPSLOT. For the realization of a linear fall or with fall 0.5%. Loading classes A 15 to E 600**



MEADRAIN SE 1500 DRAINAGE CHANNEL BODY, LOADING CLASS E 600 ACCORDING TO EN 1433**

Description	Order No.	Length [mm]	Constructive height [mm]	kg/unit
MEADRAIN SE 1500.0 Drainage channel body ⁵⁾	010713376	1000	220	22,00
MEADRAIN SE 1500.0/A Drainage channel with tight formed-in flanged drain socket Ø 160 mm ⁹⁾	010713378	1000	220	22,60
MEADRAIN SE 1500.1 Drainage channel body ^{5) 14)}	010713380	500	220	11,10
MEADRAIN SE 1510.0 Drainage channel body ⁵⁾	010713416	1000	270	25,30
MEADRAIN SE 1510.0/A Drainage channel with tight formed-in flanged drain socket Ø 160 mm ⁹⁾	010713418	1000	270	25,80
MEADRAIN SE 1510.1 Drainage channel body ^{5) 14)}	010713417	500	270	11,50
MEADRAIN SE 1520.0 Drainage channel body ⁵⁾	010713420	1000	320	28,70
MEADRAIN SE 1520.0/A Drainage channel with tight formed-in flanged drain socket Ø 160 mm ⁹⁾	010713422	1000	320	29,20
MEADRAIN SE 1520.1 Drainage channel body ^{5) 14)}	010713421	500	320	11,90

** Not suitable for the diagonal or transverse travel of motorways and highways
 5) Connection option for vertical drain Ø 160 mm (drainage deformation) or to a gully
 9) Channel elements with tight formed-in drain socket Ø 160 mm
 14) Connection option for corner, t and cross connections

MEADRAIN SV / SE / SG and SVF / SEF / SGF 1500

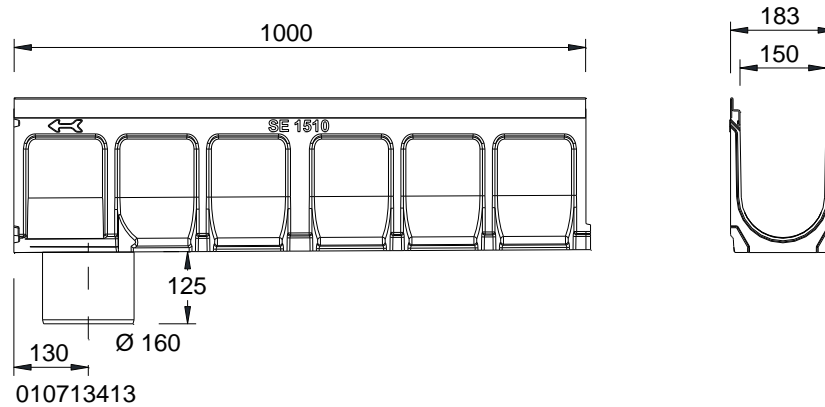
A 15, B 125, C 250, D 400**, E 600**

nominal width 150

MEADRAIN SE 1500 POLYMER CONCRETE DRAINAGE CHANNEL BODY

WITH 4 MM EDGE PROTECTION MADE OF STAINLESS STEEL, SEALING JOINT ACCORDING TO EN 1433

Clear width of the channel body 150 mm, total width 183 mm. Suitable for all channel covers MEA 150 CLIPFIX with longitudinal shift protection and MEA TSH 150 TOPSLOT. For the realization of a linear fall or with fall 0.5%. Loading classes A 15 to E 600**



MEADRAIN SE 1500 DRAINAGE CHANNEL BODY WITH FALL 0.5%, LOADING CLASS E 600** ACCORDING TO EN 1433

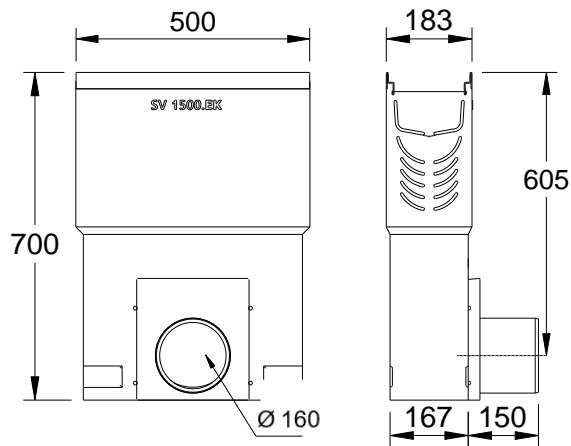
Description	Order No.	Length [mm]	Constructive height [mm]	kg/unit
MEADRAIN SE 1501 Drainage channel body	010713382	1000	220-225	22,60
MEADRAIN SE 1502 Drainage channel body	010713384	1000	225-230	23,00
MEADRAIN SE 1503 Drainage channel body	010713386	1000	230-235	23,20
MEADRAIN SE 1504 Drainage channel body	010713388	1000	235-240	23,60
MEADRAIN SE 1505 Drainage channel body	010713390	1000	240-245	23,80
MEADRAIN SE 1506 Drainage channel body	010713392	1000	245-250	24,20
MEADRAIN SE 1507 Drainage channel body	010713394	1000	250-255	24,50
MEADRAIN SE 1508 Drainage channel body	010713396	1000	255-260	24,50
MEADRAIN SE 1509 Drainage channel body	010713398	1000	260-265	25,10
MEADRAIN SE 1510 Drainage channel body ⁵⁾	010713412	1000	265-270	25,10
MEADRAIN SE 1510/A Drainage channel with tight formed-in flanged drain socket \varnothing 160 mm ⁹⁾	010713413	1000	265-270	25,70

** Not suitable for the diagonal or transverse travel of motorways and highways

5) Connection option for vertical drain \varnothing 160 mm (drainage deformation) or to a gully

9) Channel elements with tight formed-in drain socket \varnothing 160 mm

MEADRAIN SE AND SEF 1500 DRAINAGE CHANNEL ACCESSORIES



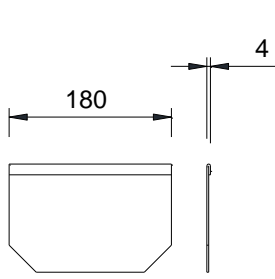
010713424

MEADRAIN SE/SEF 1500 GULLY INCL. PLASTIC SEDIMENT BUCKET**

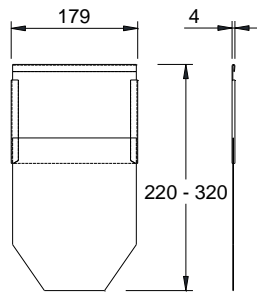
Description	Order No.	Length [mm]	Constructive height [mm]	kg/unit
MEADRAIN SE 1500.EK160 gullies with sediment bucket, for Ø 160 mm pipe connector, open on both sides for construction heights 220 mm	010713424	500	690	37,90

** Not suitable for the diagonal or transverse travel of motorways and highways

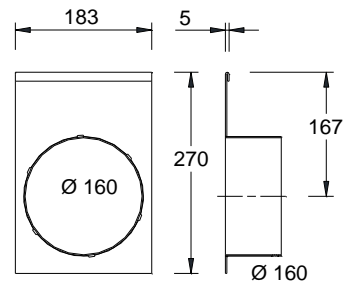
MEADRAIN SEF 1500 END CAPS



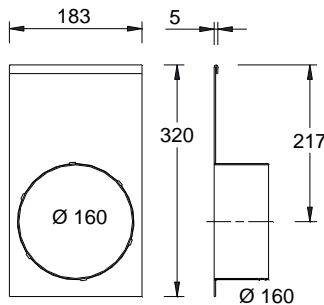
010713374



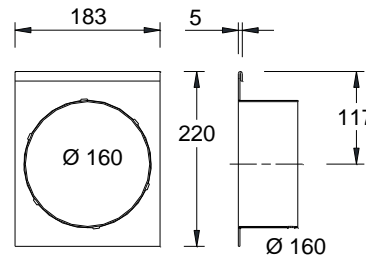
010713426



010713430



010713432



010713428

MEADRAIN SEF AND SE 1500 END CAPS

Description	Order No.	Material	kg/unit
MEADRAIN SEF 1500.SE end cap for flat channel for the beginning and end of channels	010713374	Stainl. steel	0,18
MEADRAIN SE 1500-20.SE End cap for start/end of channel, height-adjustable	010713426	Stainl. steel	0,75
MEADRAIN SE 1500.E End cap with connection piece Ø 160 mm, for channel end, fixed height	010713428	Stainl. steel	0,75
MEADRAIN SE 1510.E End cap with connection piece Ø 160 mm, for channel end, fixed height*	010713430	Stainl. steel	0,85
MEADRAIN SE 1520.E End cap with connection piece Ø 160 mm, for channel end, fixed height*	010713432	Stainl. steel	0,95

** Not suitable for the diagonal or transverse travel of motorways and highways

MEADRAIN SV / SE / SG and SVF / SEF / SGF 1500

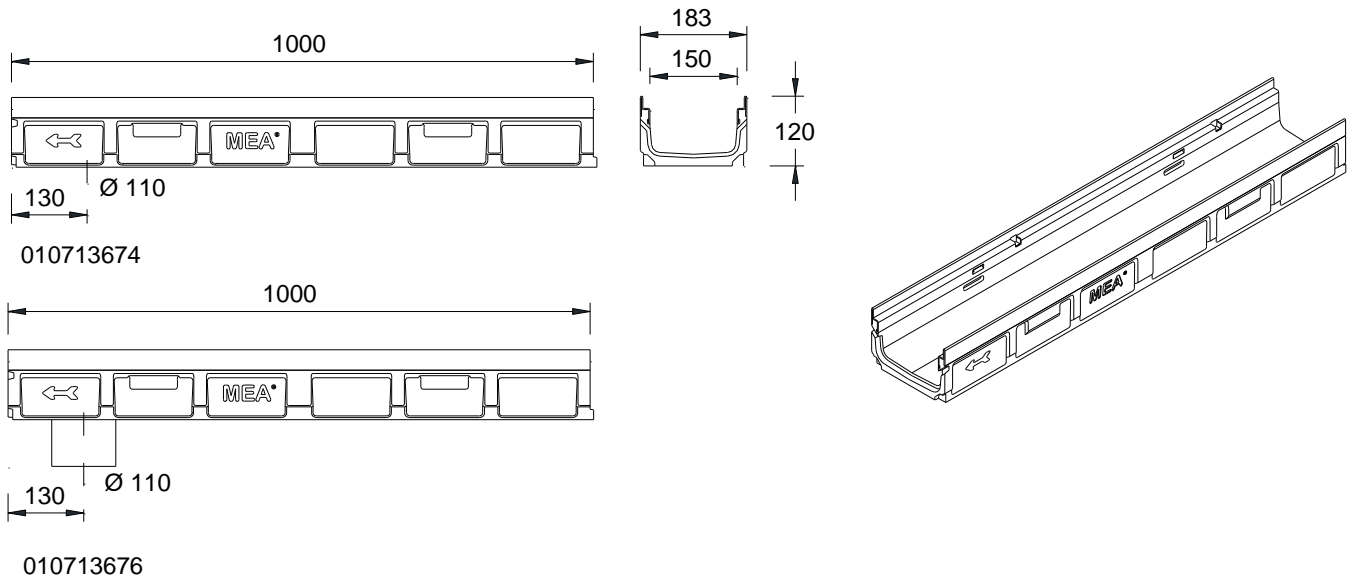
A 15, B 125, C 250, D 400**, E 600**

nominal width 150

MEADRAIN SGF 1500 FLAT POLYMER CONCRETE DRAINAGE CHANNEL

WITH 4 MM EDGE PROTECTION MADE OF DUCTILE IRON, SEALING JOINT ACCORDING TO EN 1433

Clear width of the channel body 150 mm, total width 183 mm. Suitable for all channel covers MEA 150 CLIPFIX with longitudinal shift protection and MEA TSH 150 TOPSLOT. For the realization of water level slopes. Loading classes A 15 to E 600**



MEADRAIN SGF 1500 DRAINAGE CHANNEL BODY, LOADING CLASS E 600** ACCORDING TO EN 1433

Description	Order No.	Length [mm]	Constructive height [mm]	kg/unit
MEADRAIN SGF 1500.0/120 Drainage channel body ¹⁾	010713674	1000	120	14,90
MEADRAIN SGF 1500.0 A/120 Drainage channel with tight formed-in flanged drain socket Ø 110 mm ⁸⁾	010713676	1000	120	14,90

** Not suitable for the diagonal or transverse travel of motorways and highways.

1) Connection option for vertical drain Ø 110 mm

8) With tight formed-in drain socket Ø 110 mm

MEADRAIN SV / SE / SG and SVF / SEF / SGF 1500

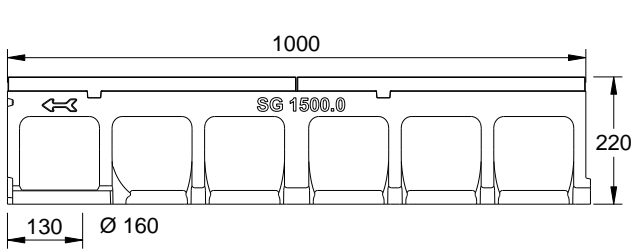
A 15, B 125, C 250, D 400**, E 600**

nominal width 150

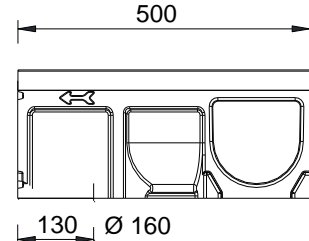
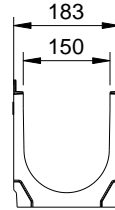
BUILDING SUCCESS

MEADRAIN SG 1500 POLYMER CONCRETE DRAINAGE CHANNEL

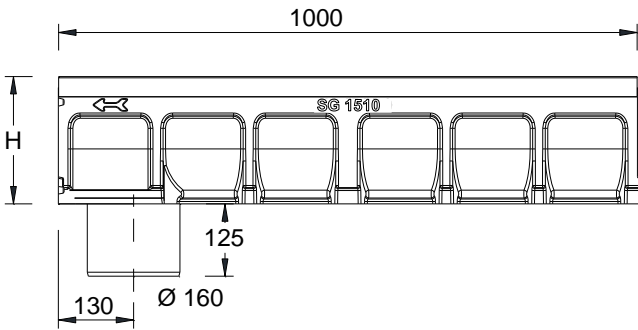
WITH 4 MM EDGE PROTECTION MADE OF DUCTILE IRON, SEALING JOINT ACCORDING TO EN 1433 Clear width of the channel body 150 mm, total width 183 mm. Suitable for all channel covers MEA 150 CLIPFIX with longitudinal shift protection and MEA TSH 150 TOPSLOT. For the realization of water level slopes. Loading classes A 15 to E 600**



010713678



010713682



010713686

MEADRAIN SG 1500 DRAINAGE CHANNEL BODY, LOADING CLASS E 600** ACCORDING TO EN 1433

Description	Order No.	Length [mm]	Constructive height [mm]	kg/unit
MEADRAIN SG 1500.0 Drainage channel body ⁵⁾	010713678	1000	220	22,00
MEADRAIN SG 1500.0/A Drainage channel with tight formed-in flanged drain socket Ø 160 mm ⁹⁾	010713680	1000	220	22,60
MEADRAIN SG 1500.1 Drainage channel body ^{5) 14)}	010713682	500	220	11,10
MEADRAIN SG 1510.0 Drainage channel body ⁵⁾	010713684	1000	270	25,30
MEADRAIN SG 1510.0/A Drainage channel with tight formed-in flanged drain socket Ø 160 mm ⁹⁾	010713686	1000	270	25,30
MEADRAIN SG 1510.1 Drainage channel body ^{5) 14)}	010713688	500	270	11,50
MEADRAIN SG 1520.0 Drainage channel body ⁵⁾	010713690	1000	320	28,70
MEADRAIN SG 1520.0/A Drainage channel body ⁹⁾	010713692	1000	320	29,20
MEADRAIN SG 1520.1 Drainage channel body ^{5) 14)}	010713694	500	320	11,90

** Not suitable for the diagonal or transverse travel of motorways and highways.

5) Connection option for vertical drain Ø 160 mm (drainage deformation) or to a gully

9) Channel elements with tight formed-in drain socket Ø 160 mm

14) Connection option for corner, T and cross connections

MEADRAIN SV / SE / SG and SVF / SEF / SGF 1500

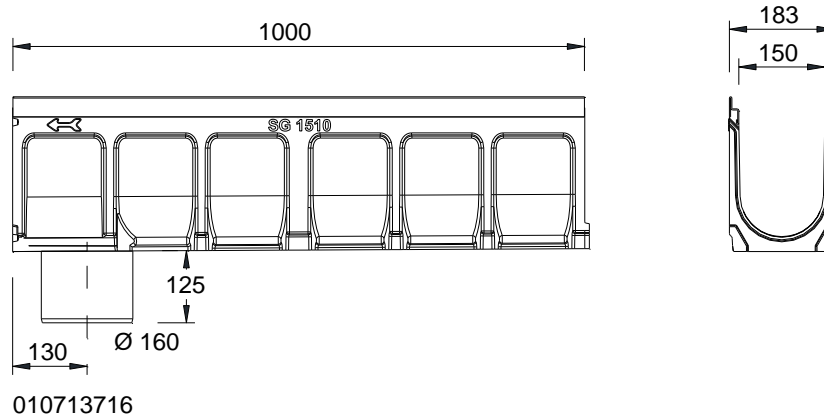
A 15, B 125, C 250, D 400**, E 600**

nominal width 150

MEADRAIN SG 1500 POLYMER CONCRETE DRAINAGE CHANNEL

WITH 4 MM EDGE PROTECTION MADE OF DUCTILE IRON, SEALING JOINT ACCORDING TO EN 1433

Clear width of the channel body 150 mm, total width 183 mm. Suitable for all channel covers MEA 150 CLIPFIX with longitudinal shift protection and MEA TSH 150 TOPSLOT. For the realization of a linear fall or with fall 0.5%. Loading classes A 15 to E 600**



MEADRAIN SG 1500 DRAINAGE CHANNEL BODY WITH FALL 5%, LOADING CLASS E 600** ACCORDING TO EN 1433

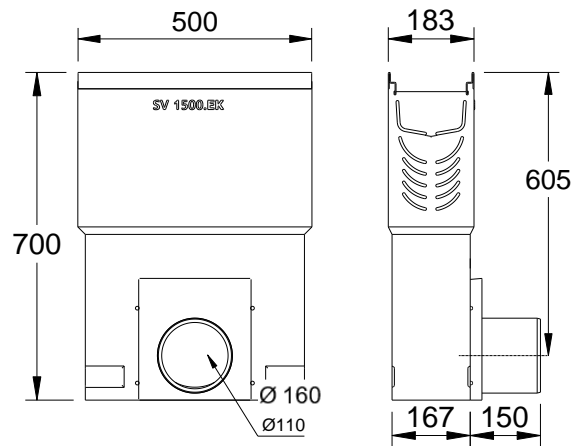
Description	Order No.	Length [mm]	Constructive height [mm]	kg/unit
MEADRAIN SG 1501 Drainage channel body	010713696	1000	220-225	22,60
MEADRAIN SG 1502 Drainage channel body	010713698	1000	225-230	23,00
MEADRAIN SG 1503 Drainage channel body	010713700	1000	230-235	23,20
MEADRAIN SG 1504 Drainage channel body	010713702	1000	235-240	23,60
MEADRAIN SG 1505 Drainage channel body ⁵⁾	010713704	1000	240-245	23,80
MEADRAIN SG 1506 Drainage channel body	010713706	1000	245-250	24,20
MEADRAIN SG 1507 Drainage channel body	010713708	1000	250-255	24,50
MEADRAIN SG 1508 Drainage channel body	010713710	1000	255-260	24,90
MEADRAIN SG 1509 Drainage channel body	010713712	1000	260-265	25,10
MEADRAIN SG 1510 Drainage channel body ⁵⁾	010713714	1000	265-270	25,10
MEADRAIN SG 1510/A Drainage channel with tight formed-in flanged drain socket \varnothing 160 mm ⁹⁾	010713716	1000	265-270	25,70

** Not suitable for the diagonal or transverse travel of motorways and highways.

5) Connection option for vertical drain \varnothing 160 mm (drainage deformation) or to a gully

9) Channel elements with tight formed-in drain socket \varnothing 160 mm

MEADRAIN SG AND SGF 1500 DRAINAGE CHANNEL ACCESSORIES



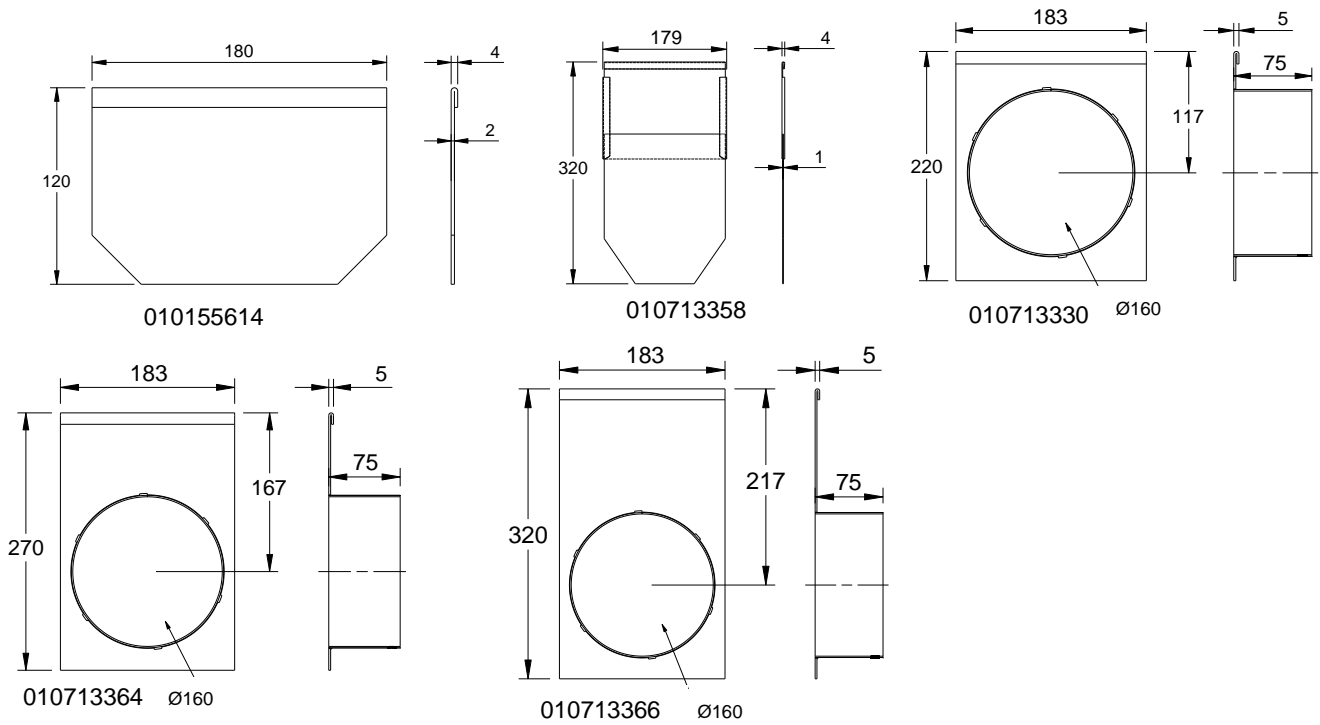
010713718

MEADRAIN SG GULLY WITH SEDIMENT BUCKET

Description	Order No.	Length [mm]	Constructive height [mm]	kg/unit
MEADRAIN SG 1500.EK160 Gully with sediment bucket for for pipe connection Ø 160 mm, open on both sides for constructive height 220 mm	010713718	500	690	37,90

** Not suitable for the diagonal or transverse travel of motorways and highways.

MEADRAIN SVF 1500 AND SV END CAPS



MEADRAIN SVF 1500 AND SV END CAPS

Description	Order No.	Material	kg/unit
MEADRAIN SV 1500-20.SE End cap for channel start/ end, height-adjustable	010155614	Galv. steel.	0,18
MEADRAIN SV 1500.E End cap with connection piece Ø 160 mm for channel end, fixed height	010713358	Galv. steel.	0,50
MEADRAIN SV 1510.E End cap with connection piece Ø 160 mm for channel end, fixed height	010713330	Galv. steel.	0,75
MEADRAIN SV 1520.E End cap with connection piece Ø 160 mm for channel end, fixed height	010713364	Galv. steel.	0,85
MEADRAIN SV 1500-20.SE End cap for channel start/ end, height-adjustable	010713366	Galv. steel.	0,95

** Not suitable for the diagonal or transverse travel of motorways and highways.



JOINTING COMPOUNDS FOR STANDARD APPLICATIONS***

Description	Order No.	Material	kg/unit
SABA MS Floor GREY sealant 600 ml in a bag, stable	010152708	MS Polymer basis	0,84
SABA Primer 9102, 1 liter	010155803	Silane basis	0,92
Joint Cleaner solvent 48, 1 liter, Cleaner for adhesive flanks	010155807	-	0,81
Dispensing gun for 600 ml bags	010152707	-	0,79

** Not suitable for the diagonal or transverse travel of motorways and highways.

*** For watertight mounting of drainage channels (only for channels transporting rainwater). Not suitable for installation in LAU facilities, gaz stations or similar constructions

This edition of the technical data sheet shall be valid from October 2021 until a revised version is published and replaces any previous publications. The respectively current version is available for download at www.mea-group.com.

MEGA Bautechnik GmbH
 Geschäftsbereich Water Management
 Sudetenstraße 1
 86551 Aichach
 Tel.: +49 (0) 82 51. 91 0
 Fax: +49 (0) 82 51. 91 13 06
 E-Mail: info@mea-group.com
www.mea-group.com