

**MEACRET LINE 200 KERB**

A 15, B 125, C 250, D 400, E 600      Nominal width 200

**MATERIAL CHARACTERISTICS**

<b>CONCRETE</b>	on a Polyester resin basis, with mineral fillers, additives
<b>COMPRESSIVE STRENGTH</b>	≥ 90 N/mm <sup>2</sup>
<b>BENDING STRENGTH</b>	≥ 22 N/mm <sup>2</sup>
<b>ELASTICITY MODULE</b>	25.000 – 35.000 N/mm <sup>2</sup>
<b>DENSITY</b>	2,1 – 2,3 kg/dm <sup>3</sup>
<b>COEFFICIENT OF LINEAR EXPANSION</b>	Ca. 1,45 x 10 <sup>-5</sup> 1/K
<b>HEAT RESISTANCE</b>	100°C continuous load, up to 200°C with a load duration up to 5 min..
<b>FROST RESISTANCE</b>	- 50°C
<b>WATER PENETRATION DEPTH</b>	0 mm
<b>WATER ABSORPTION</b>	< 0,05%
<b>MATERIAL STRUCTURE</b>	Capillary free

**PURPOSE OF USE**

Component for the line drainage of surfaces in order to collect, transport and discharge rainwater from adjacent fixed surfaces.

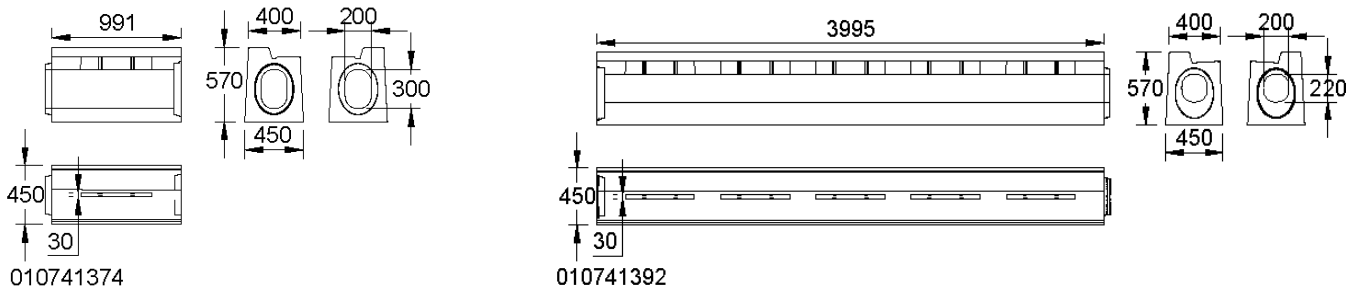
# MEACRET LINE 200 KERB

A 15, B 125, C 250, D 400, E 600      Nominal width 200

## MEACRET LINE 200 KERB

### KERB-HEIGHT 7 CM, WITHOUT FALL

Drainage channel with integrated kerbstone for drainage of paved surfaces and for safe separation of a road from walking surfaces. Kerb with interrupted slot (slot width 50 mm) and without fall. Clear width of the kerb 200 mm, total width 450 mm, kerb height 7 cm. Loading classes A 15 to E 600 according to EN 1433. Load capacity according to MEA installation instructions.



### MEACRET LINE 200 KERBS WITH INTERRUPTED SLOT, KERB 7 CM, WITHOUT FALL, LOADING CLASS E 600 ACCORDING TO EN 1433

Description	Oder-No.	Length [mm]	Width [mm]	Height [mm]	kg/unit
MEACRET LINE 200 kerb with interrupted slot, without slope, internal height 300/300 mm, 1 m, kerb-height 7 cm left, E 600 *)	010741374	992	450	570	405,00
MEACRET LINE 200 kerb with interrupted slot, without slope, internal height 300/300 mm, 1 m, kerb-height 7 cm right, E 600 *)	010741376	992	450	570	405,00
MEACRET LINE 200 kerb with interrupted slot, without slope, internal height 300/300 mm, 2 m, kerb-height 7 cm left, E 600 *)	010741378	1993	450	570	804,00
MEACRET LINE 200 kerb with interrupted slot, without slope, internal height 300/300 mm, 2 m, kerb-height 7 cm right, E 600 *)	010741380	1993	450	570	804,00
MEACRET LINE 200 kerb with interrupted slot, without slope, internal height 300/300 mm, 3 m, kerb-height 7 cm left, E 600 *)	010741382	2994	450	570	1196,00
MEACRET LINE 200 kerb with interrupted slot, without slope, internal height 300/300 mm, 3 m, kerb-height 7 cm right, E 600 *)	010741384	2994	450	570	1196,00
MEACRET LINE 200 kerb with interrupted slot, without slope, internal height 200/200 mm, 4 m, kerb-height 7 cm left, E 600 *)	010741386	3995	450	570	1693,00
MEACRET LINE 200 kerb with interrupted slot, without slope, internal height 200/200 mm, 4 m, kerb-height 7 cm right, E 600 *)	010741388	3995	450	570	1693,00
MEACRET LINE 200 kerb with interrupted slot, without slope, internal height 220/220 mm, 4 m, kerb-height 7 cm left, E 600 *)	010741390	3995	450	570	1683,00
MEACRET LINE 200 kerb with interrupted slot, without slope, internal height 220/220 mm, 4 m, kerb-height 7 cm right, E 600 *)	010741392	3995	450	570	1683,00

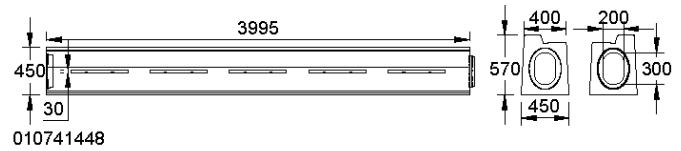
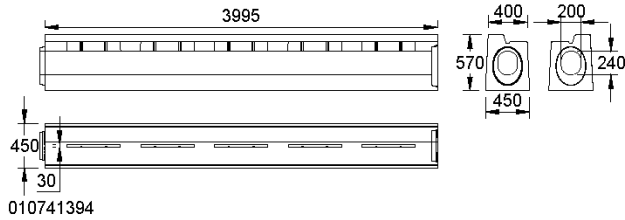
\*) Delivery time on demand.

# MEACRET LINE 200 KERB

A 15, B 125, C 250, D 400, E 600      Nominal width 200



BUILDING SUCCESS



## MEACRET LINE 200 KERBS WITH INTERRUPTED SLOT, KERB 7 CM, WITHOUT FALL, LOADING CLASS E 600 ACCORDING TO EN 1433

Description	Oder-No.	Length [mm]	Width [mm]	Height [mm]	kg/unit
MEACRET LINE 200 kerb with interrupted slot, without slope, internal height 240/240 mm, 4 m, kerb-height 7 cm left, E 600 *)	010741394	3995	450	570	1673,00
MEACRET LINE 200 kerb with interrupted slot, without slope, internal height 240/240 mm, 4 m, kerb-height 7 cm right, E 600 *)	010741396	3995	450	570	1673,00
MEACRET LINE 200 kerb with interrupted slot, without slope, internal height 260/260 mm, 4 m, kerb-height 7 cm left, E 600 *)	010741398	3995	450	570	1663,00
MEACRET LINE 200 kerb with interrupted slot, without slope, internal height 260/260 mm, 4 m, kerb-height 7 cm right, E 600 *)	010741440	3995	450	570	1663,00
MEACRET LINE 200 kerb with interrupted slot, without slope, internal height 280/280 mm, 4 m, kerb-height 7 cm left, E 600 *)	010741442	3995	450	570	1653,00
MEACRET LINE 200 kerb with interrupted slot, without slope, internal height 280/280 mm, 4 m, kerb-height 7 cm right, E 600 *)	010741444	3995	450	570	1653,00
MEACRET LINE 200 kerb with interrupted slot, without slope, internal height 300/300 mm, 4 m, kerb-height 7 cm left, E 600 *)	010741446	3995	450	570	1635,00
MEACRET LINE 200 kerb with interrupted slot, without slope, internal height 300/300 mm, 4 m, kerb-height 7 cm right, E 600 *)	010741448	3995	450	570	1635,00

\*) Delivery time on demand.

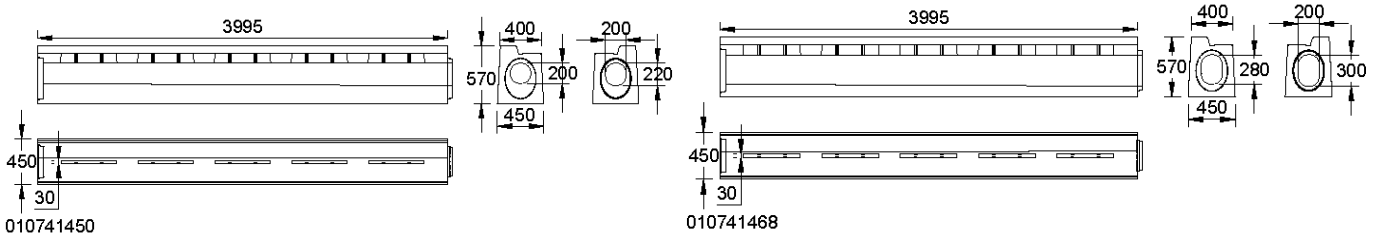
# MEACRET LINE 200 KERB

A 15, B 125, C 250, D 400, E 600      Nominal width 200

## MEACRET LINE 200 KERB

### KERB-HEIGHT 7 CM, WITH FALL 0,5%

Drainage channel with integrated kerbstone for drainage of paved surfaces and for safe separation of a road from walking surfaces. Kerb with interrupted slot (slot width 50 mm) and with fall 0,5%. Clear width of the kerb 200 mm, total width 450 mm, kerb height 7 cm. Special lengths on request. Loading classes A 15 to E 600 according to EN 1433. Load capacity according to MEA installation instructions.



### MEACRET LINE 200 KERBS WITH INTERRUPTED SLOT, KERB 7 CM, WITH FALL 0,5%, LOADING CLASS E 600 ACCORDING TO EN 1433

Description	Oder-No.	Length [mm]	Width [mm]	Height [mm]	kg/unit
MEACRET LINE 200 kerb with interrupted slot, slope 0,5%, internal height 200/220 mm, 4 m, kerb-height 7 cm left, E 600 *)	010741450	3995	450	570	1812,00
MEACRET LINE 200 kerb with interrupted slot, slope 0,5%, internal height 200/220 mm, 4 m, kerb-height 7 cm right, E 600 *)	010741452	3995	450	570	1812,00
MEACRET LINE 200 kerb with interrupted slot, slope 0,5%, internal height 220/240 mm, 4 m, kerb-height 7 cm left, E 600 *)	010741454	3995	450	570	1770,00
MEACRET LINE 200 kerb with interrupted slot, slope 0,5%, internal height 220/240 mm, 4 m, kerb-height 7 cm right, E 600 *)	010741456	3995	450	570	1770,00
MEACRET LINE 200 kerb with interrupted slot, slope 0,5%, internal height 240/260 mm, 4 m, kerb-height 7 cm left, E 600 *)	010741458	3995	450	570	1726,00
MEACRET LINE 200 kerb with interrupted slot, slope 0,5%, internal height 240/260 mm, 4 m, kerb-height 7 cm right, E 600 *)	010741460	3995	450	570	1726,00
MEACRET LINE 200 kerb with interrupted slot, slope 0,5%, internal height 260/280 mm, 4 m, kerb-height 7 cm left, E 600 *)	010741462	3995	450	570	1681,00
MEACRET LINE 200 kerb with interrupted slot, slope 0,5%, internal height 260/280 mm, 4 m, kerb-height 7 cm right, E 600 *)	010741464	3995	450	570	1681,00
MEACRET LINE 200 kerb with interrupted slot, slope 0,5%, internal height 280/300 mm, 4 m, kerb-height 7 cm left, E 600 *)	010741466	3995	450	570	1643,00
MEACRET LINE 200 kerb with interrupted slot, slope 0,5%, internal height 280/300 mm, 4 m, kerb-height 7 cm right, E 600 *)	010741468	3995	450	570	1643,00

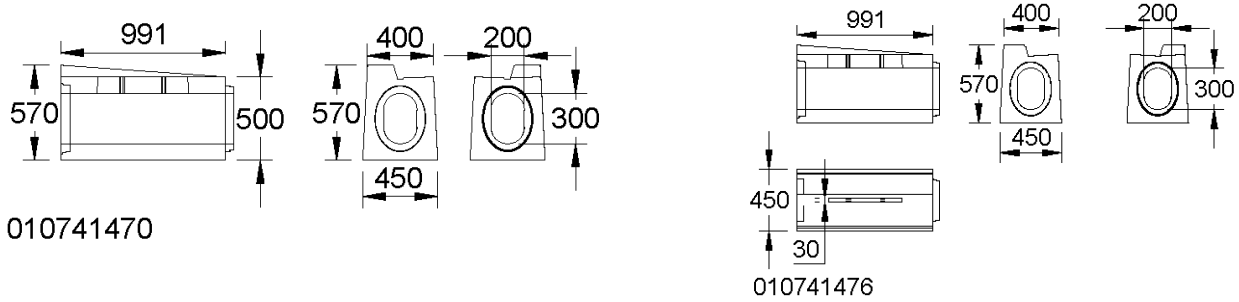
\*) Delivery time on demand.

# MEACRET LINE 200 KERB

A 15, B 125, C 250, D 400, E 600      Nominal width 200

## MEACRET LINE 200 LOWERING ELEMENT KERB-HEIGHT 7 CM, WITHOUT FALL

Drainage channel as lowering element with integrated kerbstone for drainage of paved surfaces and for safe separation of a road from walking surfaces. Kerb with interrupted slot (slot width 50 mm) and without fall. Clear width of the kerb 200 mm, total width 450 mm, kerb height 7 cm. Special lengths on request. Loading classes A 15 to E 600 according to EN 1433. Load capacity according to MEA installation instructions.



010741470

010741476

## MEACRET LINE 200 LOWERING ELEMENT WITH INTERRUPTED SLOT, KERB 7 CM, WITHOUT FALL, LOADING CLASS E 600 ACCORDING TO EN 1433

Description	Order-No.	Length [mm]	Width [mm]	Height [mm]	Height 2 [mm]	kg/unit
MEACRET LINE 200 lowering element with interrupted slot, without slope, internal height 300/300 mm, 1 m, with kerb 7-0 cm left, E 600 *)	010741470	991	450	570	500	357,00
MEACRET LINE 200 lowering element with interrupted slot, without slope, internal height 300/300 mm, 1 m, with kerb 7-0 cm right, E 600 *)	010741472	991	450	570	500	357,00
MEACRET LINE 200 lowering element with interrupted slot, without slope, internal height 300/300 mm, 1 m, with kerb 0-7 cm left, E 600 *)	010741474	991	450	500	570	357,00
MEACRET LINE 200 lowering element with interrupted slot, without slope, internal height 300/300 mm, 1 m, with kerb 0-7 cm right, E 600 *)	010741476	991	450	500	570	357,00

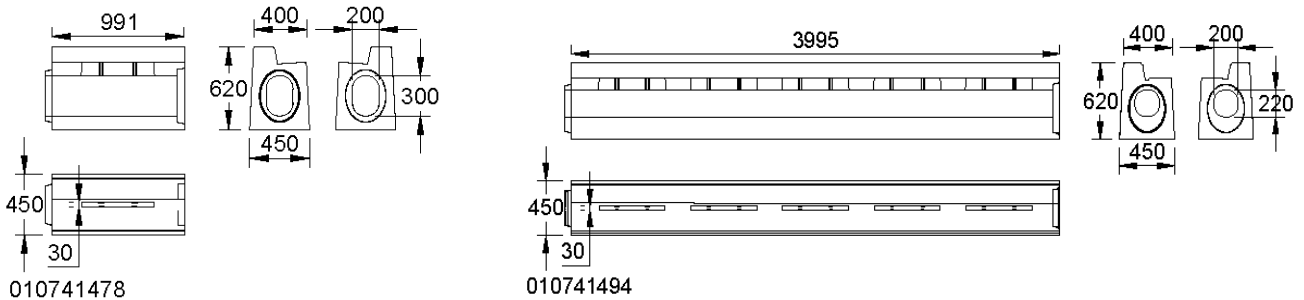
\*) Delivery time on demand.

# MEACRET LINE 200 KERB

A 15, B 125, C 250, D 400, E 600      Nominal width 200

## MEACRET LINE 200 KERB KERB-HEIGHT 12 CM, WITHOUT FALL

Drainage channel with integrated kerbstone for drainage of paved surfaces and for safe separation of a road from walking surfaces. Kerb with interrupted slot (slot width 50 mm) and without fall. Clear width of the kerb 200 mm, total width 450 mm, kerb height 12 cm. Loading classes A 15 to E 600 according to EN 1433. Load capacity according to MEA installation instructions.



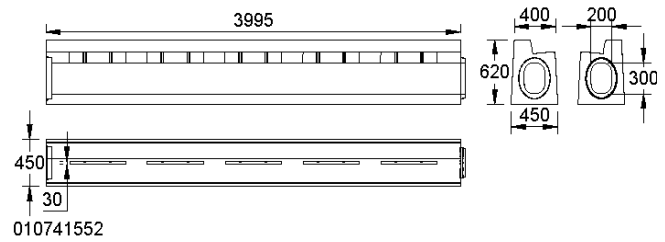
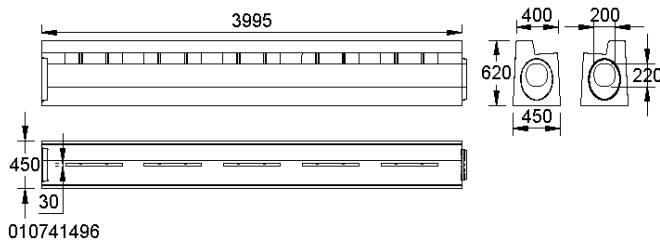
## MEACRET LINE 200 KERBS WITH INTERRUPTED SLOT, KERB 12 CM, WITHOUT FALL, LOADING CLASS E 600 ACCORDING TO EN 1433

Description	Oder-No.	Length [mm]	Width [mm]	Height [mm]	kg/unit
MEACRET LINE 200 kerb with interrupted slot, without slope, internal height 300/300 mm, 1 m, kerb-height 12 cm left, E 600 *)	010741478	992	450	620	426,00
MEACRET LINE 200 kerb with interrupted slot, without slope, internal height 300/300 mm, 1 m, kerb-height 12 cm right, E 600 *)	010741480	992	450	620	426,00
MEACRET LINE 200 kerb with interrupted slot, without slope, internal height 300/300 mm, 2 m, kerb-height 12 cm left, E 600 *)	010741482	1993	450	620	843,00
MEACRET LINE 200 kerb with interrupted slot, without slope, internal height 300/300 mm, 2 m, kerb-height 12 cm right, E 600 *)	010741484	1993	450	620	843,00
MEACRET LINE 200 kerb with interrupted slot, without slope, internal height 300/300 mm, 3 m, kerb-height 12 cm left, E 600 *)	010741486	2994	450	620	1255,00
MEACRET LINE 200 kerb with interrupted slot, without slope, internal height 300/300 mm, 3 m, kerb-height 12 cm right, E 600 *)	010741488	2994	450	620	1255,00
MEACRET LINE 200 kerb with interrupted slot, without slope, internal height 200/200 mm, 4 m, kerb-height 12 cm left, E 600 *)	010741490	3995	450	620	1771,00
MEACRET LINE 200 kerb with interrupted slot, without slope, internal height 200/200 mm, 4 m, kerb-height 12 cm right, E 600 *)	010741492	3995	450	620	1771,00
MEACRET LINE 200 kerb with interrupted slot, without slope, internal height 220/220 mm, 4 m, kerb-height 12 cm left, E 600 *)	010741494	3995	450	620	1761,00

\*) Delivery time on demand.

# MEACRET LINE 200 KERB

A 15, B 125, C 250, D 400, E 600 Nominal width 200



## MEACRET LINE 200 KERBS WITH INTERRUPTED SLOT, KERB 12 CM, WITHOUT FALL, LOADING CLASS E 600 ACCORDING TO EN 1433

Description	Oder-No.	Length [mm]	Width [mm]	Height [mm]	kg/unit
MEACRET LINE 200 kerb with interrupted slot, without slope, internal height 220/220 mm, 4 m, kerb-height 12 cm right, E 600 *)	010741496	3995	450	620	1761,00
MEACRET LINE 200 kerb with interrupted slot, without slope, internal height 240/240 mm, 4 m, kerb-height 12 cm left, E 600 *)	010741498	3995	450	620	1751,00
MEACRET LINE 200 kerb with interrupted slot, without slope, internal height 240/240 mm, 4 m, kerb-height 12 cm right, E 600 *)	010741540	3995	450	620	1751,00
MEACRET LINE 200 kerb with interrupted slot, without slope, internal height 260/260 mm, 4 m, kerb-height 12 cm left, E 600 *)	010741542	3995	450	620	1741,00
MEACRET LINE 200 kerb with interrupted slot, without slope, internal height 260/260 mm, 4 m, kerb-height 12 cm right, E 600 *)	010741544	3995	450	620	1741,00
MEACRET LINE 200 kerb with interrupted slot, without slope, internal height 280/280 mm, 4 m, kerb-height 12 cm left, E 600 *)	010741546	3995	450	620	1731,00
MEACRET LINE 200 kerb with interrupted slot, without slope, internal height 280/280 mm, 4 m, kerb-height 12 cm right, E 600 *)	010741548	3995	450	620	1731,00
MEACRET LINE 200 kerb with interrupted slot, without slope, internal height 300/300 mm, 4 m, kerb-height 12 cm left, E 600 *)	010741550	3995	450	620	1713,00
MEACRET LINE 200 kerb with interrupted slot, without slope, internal height 300/300 mm, 4 m, kerb-height 12 cm right, E 600*)	010741552	3995	450	620	1713,00

\*) Delivery time on demand.

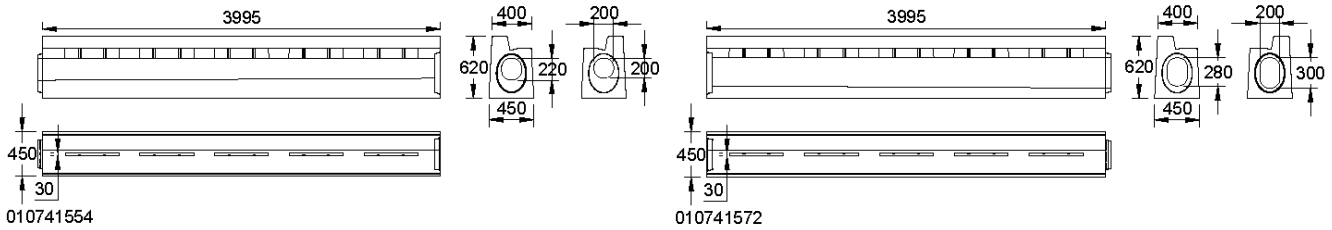
# MEACRET LINE 200 KERB

A 15, B 125, C 250, D 400, E 600      Nominal width 200

## MEACRET LINE 200 KERB

### KERB-HEIGHT 12 CM, WITH FALL 0,5%

Drainage channel with integrated kerbstone for drainage of paved surfaces and for safe separation of a road from walking surfaces. Kerb with interrupted slot (slot width 50 mm) and with fall 0,5%. Clear width of the kerb 200 mm, total width 450 mm, kerb height 12 cm. Special lengths on request. Loading classes A 15 to E 600 according to EN 1433. Load capacity according to MEA installation instructions.



### MEACRET LINE 200 KERBS WITH INTERRUPTED SLOT, KERB 12 CM, WITH FALL 0,5%, LOADING CLASS E 600 ACCORDING TO EN 1433

Description	Oder-No.	Length [mm]	Width [mm]	Height [mm]	kg/unit
MEACRET LINE 200 kerb with interrupted slot, slope 0,5%, internal height 200/220 mm, 4 m, kerb-height 12 cm left, E 600 *)	010741554	3995	450	620	1899,00
MEACRET LINE 200 kerb with interrupted slot, slope 0,5%, internal height 200/220 mm, 4 m, kerb-height 12 cm right, E 600*)	010741556	3995	450	620	1899,00
MEACRET LINE 200 kerb with interrupted slot, slope 0,5%, internal height 220/240 mm, 4 m, kerb-height 12 cm left, E 600 *)	010741558	3995	450	620	1855,00
MEACRET LINE 200 kerb with interrupted slot, slope 0,5%, internal height 220/240 mm, 4 m, kerb-height 12 cm right, E 600 *)	010741560	3995	450	620	1855,00
MEACRET LINE 200 kerb with interrupted slot, slope 0,5%, internal height 240/260 mm, 4 m, kerb-height 12 cm left, E 600 *)	010741562	3995	450	620	1808,00
MEACRET LINE 200 kerb with interrupted slot, slope 0,5%, internal height 240/260 mm, 4 m, kerb-height 12 cm right, E 600 *)	010741564	3995	450	620	1808,00
MEACRET LINE 200 kerb with interrupted slot, slope 0,5%, internal height 260/280 mm, 4 m, kerb-height 12 cm left, E 600 *)	010741566	3995	450	620	1765,00
MEACRET LINE 200 kerb with interrupted slot, slope 0,5%, internal height 260/280 mm, 4 m, kerb-height 12 cm right, E 600 *)	010741568	3995	450	620	1765,00
MEACRET LINE 200 kerb with interrupted slot, slope 0,5%, internal height 280/300 mm, 4 m, kerb-height 12 cm left, E 600 *)	010741570	3995	450	620	1721,00
MEACRET LINE 200 kerb with interrupted slot, slope 0,5%, internal height 280/300 mm, 4 m, kerb-height 12 cm right, E 600*)	010741572	3995	450	620	1721,00

\*) Delivery time on demand.



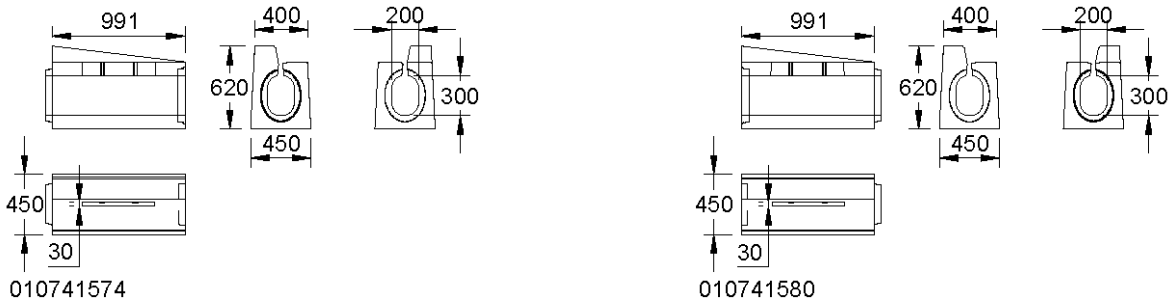
# MEACRET LINE 200 KERB

A 15, B 125, C 250, D 400, E 600      Nominal width 200

## MEACRET LINE 200 LOWERING ELEMENT

### KERB-HEIGHT 12 CM, WITHOUT FALL

Drainage channel as lowering element with integrated kerbstone for drainage of paved surfaces and for safe separation of a road from walking surfaces. Kerb with interrupted slot (slot width 50 mm) and without fall. Clear width of the kerb 200 mm, total width 450 mm, kerb height 12 cm. Special lengths on request. Loading classes A 15 to E 600 according to EN 1433. Load capacity according to MEA installation instructions.



### MEACRET LINE 200 LOWERNG ELEMENT WITH INTERRUPTED SLOT, KERB 12 CM, WITHOUT FALL, LOADING CLASS E 600 ACCORDING TO EN 1433

Description	Order-No.	Length [mm]	Width [mm]	Height [mm]	Height 2 [mm]	kg/unit
MEACRET LINE 200 lowering element with interrupted slot, without slope, internal height 300/300 mm, 1 m, with kerb 12-0 cm left, E 600 *)	010741574	991	450	620	500	367,00
MEACRET LINE 200 lowering element with interrupted slot, without slope, internal height 300/300 mm, 1 m, with kerb 12-0 cm right, E 600 *)	010741576	991	450	620	500	367,00
MEACRET LINE 200 lowering element with interrupted slot, without slope, internal height 300/300 mm, 1 m, with kerb 0-12 cm left, E 600 *)	010741578	991	450	500	620	367,00
MEACRET LINE 200 lowering element with interrupted slot, without slope, internal height 300/300 mm, 1 m, with kerb 0-12 cm right, E 600 *)	010741580	991	450	500	620	367,00

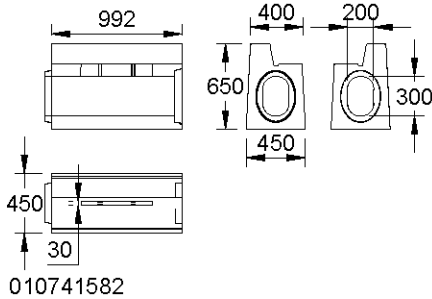
\*) Delivery time on demand.

# MEACRET LINE 200 KERB

A 15, B 125, C 250, D 400, E 600      Nominal width 200

## MEACRET LINE 200 KERB KERB-HEIGHT 15 CM, WITHOUT FALL

Drainage channel with integrated kerbstone for drainage of paved surfaces and for safe separation of a road from walking surfaces. Kerb with interrupted slot (slot width 50 mm) and without fall. Clear width of the kerb 200 mm, total width 450 mm, kerb height 15 cm. Loading classes A 15 to E 600 according to EN 1433. Load capacity according to MEA installation instructions.



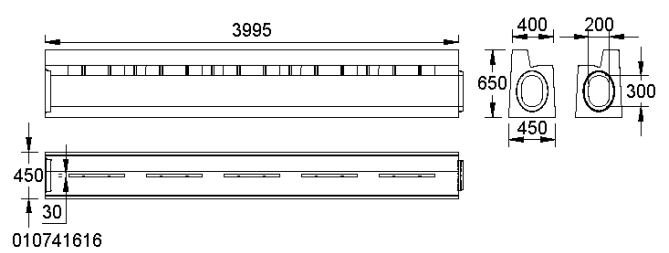
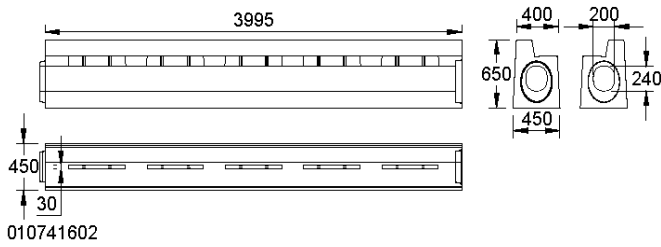
## MEACRET LINE 200 KERBS WITH INTERRUPTED SLOT, KERB 15 CM, WITHOUT FALL, LOADING CLASS E 600 ACCORDING TO EN 1433

Description	Oder-No.	Length [mm]	Width [mm]	Height [mm]	kg/unit
MEACRET LINE 200 kerb with interrupted slot, without slope, internal height 300/300 mm, 1 m, kerb-height 15 cm left, E 600 *)	010741582	992	450	650	483,00
MEACRET LINE 200 kerb with interrupted slot, without slope, internal height 300/300 mm, 1 m, kerb-height 15 cm right, E 600 *)	010741584	992	450	650	483,00
MEACRET LINE 200 kerb with interrupted slot, without slope, internal height 300/300 mm, 2 m, kerb-height 15 cm left, E 600 *)	010741586	1993	450	650	866,00
MEACRET LINE 200 kerb with interrupted slot, without slope, internal height 300/300 mm, 2 m, kerb-height 15 cm right, E 600 *)	010741588	1993	450	650	866,00
MEACRET LINE 200 kerb with interrupted slot, without slope, internal height 300/300 mm, 3 m, kerb-height 15 cm left, E 600 *)	010741590	2994	450	650	1289,00
MEACRET LINE 200 kerb with interrupted slot, without slope, internal height 300/300 mm, 3 m, kerb-height 15 cm right, E 600 *)	010741592	2994	450	650	1289,00
MEACRET LINE 200 kerb with interrupted slot, without slope, internal height 200/200 mm, 4 m, kerb-height 15 cm left, E 600 *)	010741594	3995	450	650	1820,00
MEACRET LINE 200 kerb with interrupted slot, without slope, internal height 200/200 mm, 4 m, kerb-height 15 cm right, E 600 *)	010741596	3995	450	650	1820,00
MEACRET LINE 200 kerb with interrupted slot, without slope, internal height 220/220 mm, 4 m, kerb-height 15 cm left, E 600 *)	010741598	3995	450	650	1810,00
MEACRET LINE 200 kerb with interrupted slot, without slope, internal height 220/220 mm, 4 m, kerb-height 15 cm right, E 600*)	010741600	3995	450	650	1810,00

\*) Delivery time on demand.

# MEACRET LINE 200 KERB

A 15, B 125, C 250, D 400, E 600      Nominal width 200



## MEACRET LINE 200 KERBS WITH INTERRUPTED SLOT, KERB 15 CM, WITHOUT FALL, LOADING CLASS E 600 ACCORDING TO EN 1433

Description	Oder-No.	Length [mm]	Width [mm]	Height [mm]	kg/unit
MEACRET LINE 200 kerb with interrupted slot, without slope, internal height 240/240 mm, 4 m, kerb-height 15 cm left, E 600 *)	010741602	3995	450	650	1800,00
MEACRET LINE 200 kerb with interrupted slot, without slope, internal height 240/240 mm, 4 m, kerb-height 15 cm right, E 600 *)	010741604	3995	450	650	1800,00
MEACRET LINE 200 kerb with interrupted slot, without slope, internal height 260/260 mm, 4 m, kerb-height 15 cm left, E 600 *)	010741606	3995	450	650	1790,00
MEACRET LINE 200 kerb with interrupted slot, without slope, internal height 260/260 mm, 4 m, kerb-height 15 cm right, E 600 *)	010741608	3995	450	650	1790,00
MEACRET LINE 200 kerb with interrupted slot, without slope, internal height 280/280 mm, 4 m, kerb-height 15 cm left, E 600 *)	010741610	3995	450	650	1780,00
MEACRET LINE 200 kerb with interrupted slot, without slope, internal height 280/280 mm, 4 m, kerb-height 15 cm right, E 600 *)	010741612	3995	450	650	1780,00
MEACRET LINE 200 kerb with interrupted slot, without slope, internal height 300/300 mm, 4 m, kerb-height 15 cm left, E 600 *)	010741614	3995	450	650	1763,00
MEACRET LINE 200 kerb with interrupted slot, without slope, internal height 300/300 mm, 4 m, kerb-height 15 cm right, E 600 *)	010741616	3995	450	650	1763,00

\*) Delivery time on demand.

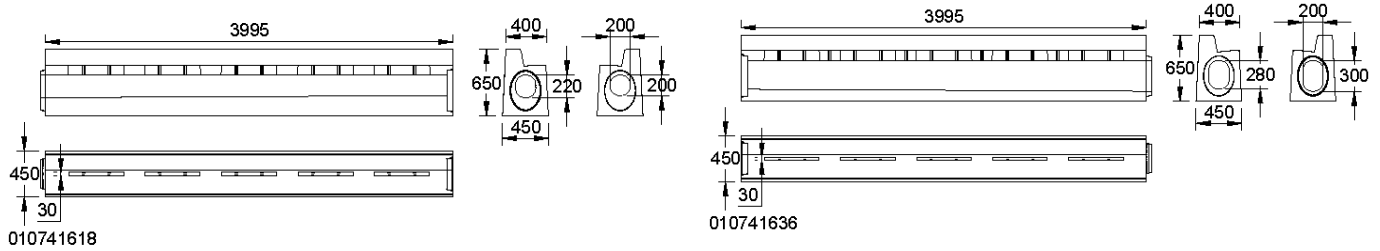
# MEACRET LINE 200 KERB

A 15, B 125, C 250, D 400, E 600      Nominal width 200

## MEACRET LINE 200 KERB

### KERB-HEIGHT 15 CM, WITH FALL 0,5%

Drainage channel with integrated kerbstone for drainage of paved surfaces and for safe separation of a road from walking surfaces. Kerb with interrupted slot (slot width 50 mm) and without fall. Clear width of the kerb 200 mm, total width 450 mm, kerb height 15 cm. Special lengths on request. Loading classes A 15 to E 600 according to EN 1433. Load capacity according to MEA installation instructions.



### MEACRET LINE 200 KERBS WITH INTERRUPTED SLOT, KERB 15 CM, WITH FALL 0,5%, LOADING CLASS E 600 ACCORDING TO EN 1433

Description	Oder-No.	Length [mm]	Width [mm]	Height [mm]	kg/unit
MEACRET LINE 200 kerb with interrupted slot, slope 0,5%, internal height 200/220 mm, 4 m, kerb-height 15 cm left, E 600 *)	010741618	3995	450	650	1954,00
MEACRET LINE 200 kerb with interrupted slot, slope 0,5%, internal height 200/220 mm, 4 m, kerb-height 15 cm right, E 600 *)	010741620	3995	450	650	1954,00
MEACRET LINE 200 kerb with interrupted slot, slope 0,5%, internal height 220/240 mm, 4 m, kerb-height 15 cm left, E 600 *)	010741622	3995	450	650	1909,00
MEACRET LINE 200 kerb with interrupted slot, slope 0,5%, internal height 220/240 mm, 4 m, kerb-height 15 cm right, E 600 *)	010741624	3995	450	650	1909,00
MEACRET LINE 200 kerb with interrupted slot, slope 0,5%, internal height 240/260 mm, 4 m, kerb-height 15 cm left, E 600 *)	010741626	3995	450	650	1860,00
MEACRET LINE 200 kerb with interrupted slot, slope 0,5%, internal height 240/260 mm, 4 m, kerb-height 15 cm right, E 600 *)	010741628	3995	450	650	1860,00
MEACRET LINE 200 kerb with interrupted slot, slope 0,5%, internal height 260/280 mm, 4 m, kerb-height 15 cm left, E 600 *)	010741630	3995	450	650	1816,00
MEACRET LINE 200 kerb with interrupted slot, slope 0,5%, internal height 260/280 mm, 4 m, kerb-height 15 cm right, E 600 *)	010741632	3995	450	650	1816,00
MEACRET LINE 200 kerb with interrupted slot, slope 0,5%, internal height 280/300 mm, 4 m, kerb-height 15 cm left, E 600 *)	010741634	3995	450	650	1770,00
MEACRET LINE 200 kerb with interrupted slot, slope 0,5%, internal height 280/300 mm, 4 m, kerb-height 15 cm right, E 600*)	010741636	3995	450	650	1770,00

\*) Delivery time on demand.

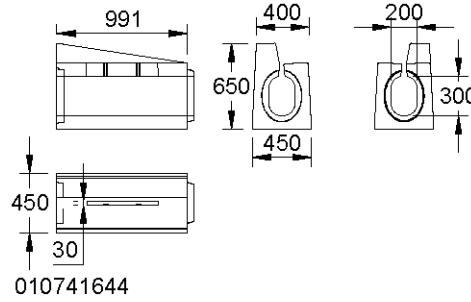
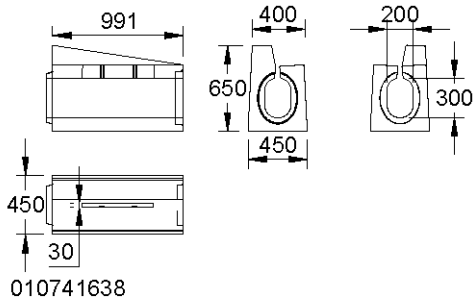
# MEACRET LINE 200 KERB

A 15, B 125, C 250, D 400, E 600      Nominal width 200

## MEACRET LINE 200 LOWERING ELEMENT

### KERB-HEIGHT 15 CM, WITHOUT FALL

Drainage channel as lowering element with integrated kerbstone for drainage of paved surfaces and for safe separation of a road from walking surfaces. Kerb with interrupted slot (slot width 50 mm) and without fall. Clear width of the kerb 200 mm, total width 450 mm, kerb height 15 cm. Special lengths on request. Loading classes A 15 to E 600 according to EN 1433. Load capacity according to MEA installation instructions.



### MEACRET LINE 200 LOWERING ELEMENT MIT INTERRUPTED SLOT, KERB 15 CM, WITHOUT FALL, LOADING CLASS E 600 ACCORDING TO EN 1433

Description	Order-No.	Length [mm]	Width [mm]	Height [mm]	Height 2 [mm]	kg/unit
MEACRET LINE 200 lowering element with interrupted slot, without slope, internal height 300/300 mm, 1 m, with kerb 15-0 cm left, E 600 *)	010741638	991	450	650	500	377,00
MEACRET LINE 200 lowering element with interrupted slot, without slope, internal height 300/300 mm, 1 m, with kerb 15-0 cm right, E 600 *)	010741640	991	450	650	500	377,00
MEACRET LINE 200 lowering element with interrupted slot, without slope, internal height 300/300 mm, 1 m, with kerb 0-15 cm left, E 600 *)	010741642	991	450	500	650	377,00
MEACRET LINE 200 lowering element with interrupted slot, without slope, internal height 300/300 mm, 1 m, with kerb 0-15 cm right, E 600 *)	010741644	991	450	500	650	377,00

\*) Delivery time on demand.

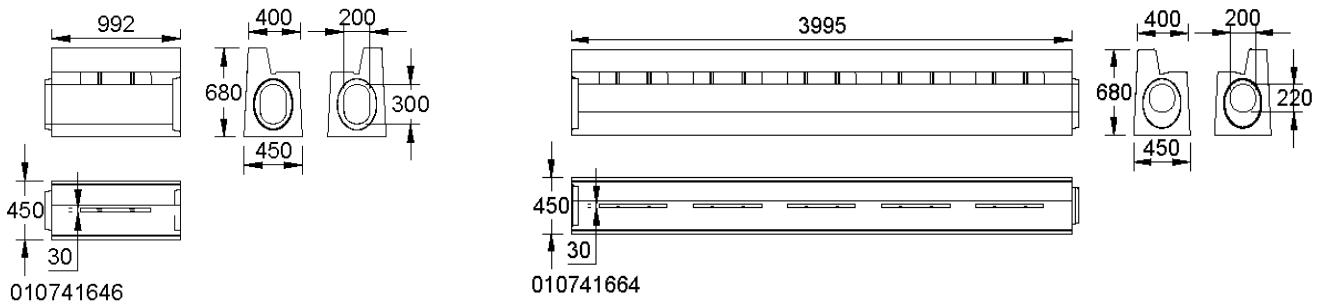
# MEACRET LINE 200 KERB

A 15, B 125, C 250, D 400, E 600      Nominal width 200

## MEACRET LINE 200 KERB

### KERB-HEIGHT 18 CM, WITHOUT FALL

Drainage channel with integrated kerbstone for drainage of paved surfaces and for safe separation of a road from walking surfaces. Kerb with interrupted slot (slot width 50 mm) and without fall. Clear width of the kerb 200 mm, total width 450 mm, kerb height 18 cm. Loading classes A 15 to E 600 according to EN 1433. Load capacity according to MEA installation instructions.



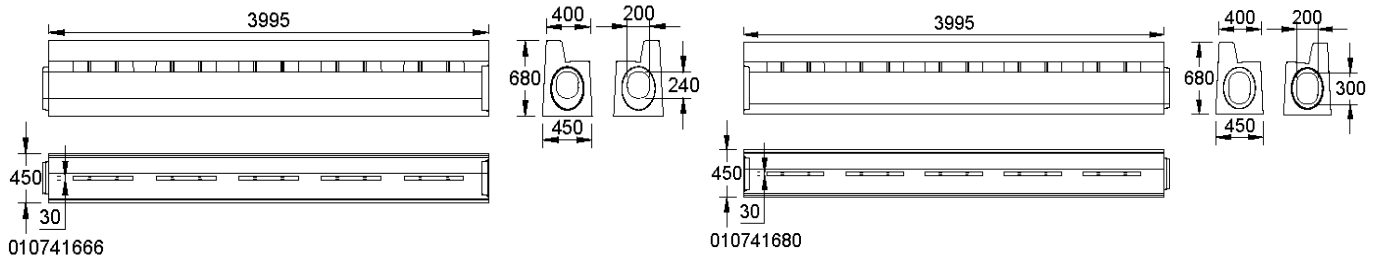
### MEACRET LINE 200 KERB WITH INTERRUPTED SLOT, KERB 18 CM, WITHOUT FALL, LOADING CLASS E 600 ACCORDING TO EN 1433

Description	Oder-No.	Length [mm]	Width [mm]	Height [mm]	kg/unit
MEACRET LINE 200 kerb with interrupted slot, without slope, internal height 300/300 mm, 1 m, kerb-height 18 cm left, E 600 *)	010741646	992	450	680	450,00
MEACRET LINE 200 kerb with interrupted slot, without slope, internal height 300/300 mm, 1 m, kerb-height 18 cm right, E 600 *)	010741648	992	450	680	450,00
MEACRET LINE 200 kerb with interrupted slot, without slope, internal height 300/300 mm, 2 m, kerb-height 18 cm left, E 600 *)	010741650	1993	450	680	889,00
MEACRET LINE 200 kerb with interrupted slot, without slope, internal height 300/300 mm, 2 m, kerb-height 18 cm right, E 600 *)	010741652	1993	450	680	889,00
MEACRET LINE 200 kerb with interrupted slot, without slope, internal height 300/300 mm, 3 m, kerb-height 18 cm left, E 600 *)	010741654	2994	450	680	1324,00
MEACRET LINE 200 kerb with interrupted slot, without slope, internal height 300/300 mm, 3 m, kerb-height 18 cm right, E 600 *)	010741656	2994	450	680	1324,00
MEACRET LINE 200 kerb with interrupted slot, without slope, internal height 200/200 mm, 4 m, kerb-height 18 cm left, E 600 *)	010741658	3995	450	680	1870,00
MEACRET LINE 200 kerb with interrupted slot, without slope, internal height 200/200 mm, 4 m, kerb-height 18 cm right, E 600 *)	010741660	3995	450	680	1870,00
MEACRET LINE 200 kerb with interrupted slot, without slope, internal height 220/220 mm, 4 m, kerb-height 18 cm left, E 600 *)	010741662	3995	450	680	1860,00
MEACRET LINE 200 kerb with interrupted slot, without slope, internal height 220/220 mm, 4 m, kerb-height 18 cm right, E 600 *)	010741664	3995	450	680	1860,00

\*) Delivery on demand.

# MEACRET LINE 200 KERB

A 15, B 125, C 250, D 400, E 600      Nominal width 200



## MEACRET LINE 200 KERB WITH INTERRUPTED SLOT, KERB 18 CM, WITHOUT FALL, LOADING CLASS E 600 ACCORDING TO EN 1433

Description	Oder-No.	Length [mm]	Width [mm]	Height [mm]	kg/unit
MEACRET LINE 200 kerb with interrupted slot, without slope, internal height 240/240 mm, 4 m, kerb-height 18 cm left, E 600 *)	010741666	3995	450	680	1850,00
MEACRET LINE 200 kerb with interrupted slot, without slope, internal height 240/240 mm, 4 m, kerb-height 18 cm right, E 600 *)	010741668	3995	450	680	1850,00
MEACRET LINE 200 kerb with interrupted slot, without slope, internal height 260/260 mm, 4 m, kerb-height 18 cm left, E 600 *)	010741670	3995	450	680	1840,00
MEACRET LINE 200 kerb with interrupted slot, without slope, internal height 260/260 mm, 4 m, kerb-height 18 cm right, E 600 *)	010741672	3995	450	680	1840,00
MEACRET LINE 200 kerb with interrupted slot, without slope, internal height 280/280 mm, 4 m, kerb-height 18 cm left, E 600 *)	010741674	3995	450	680	1830,00
MEACRET LINE 200 kerb with interrupted slot, without slope, internal height 280/280 mm, 4 m, kerb-height 18 cm right, E 600 *)	010741676	3995	450	680	1830,00
MEACRET LINE 200 kerb with interrupted slot, without slope, internal height 300/300 mm, 4 m, kerb-height 18 cm left, E 600 *)	010741678	3995	450	680	1814,00
MEACRET LINE 200 kerb with interrupted slot, without slope, internal height 300/300 mm, 4 m, kerb-height 18 cm right, E 600 *)	010741680	3995	450	680	1814,00

\*) Delivery time on demand.

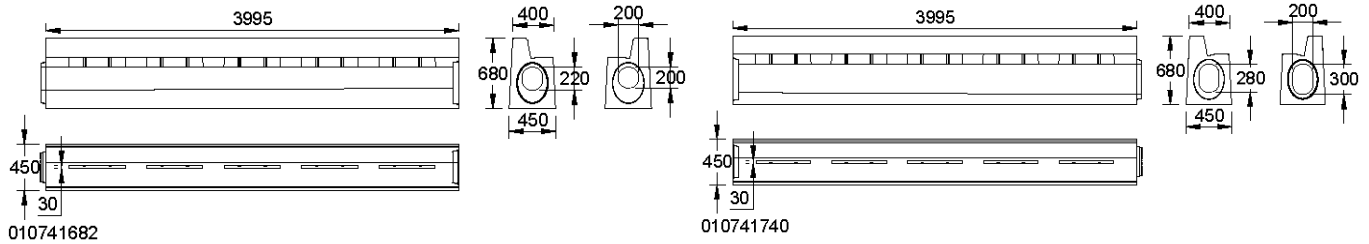
# MEACRET LINE 200 KERB

A 15, B 125, C 250, D 400, E 600      Nominal width 200

## MEACRET LINE 200 KERB

### KERB-HEIGHT 18 CM, WITH FALL 0,5%

Drainage channel with integrated kerbstone for drainage of paved surfaces and for safe separation of a road from walking surfaces. Kerb with interrupted slot (slot width 50 mm) and with fall 0,5%. Clear width of the kerb 200 mm, total width 450 mm, kerb height 18 cm. Special lengths on request. Loading classes A 15 to E 600 according to EN 1433. Load capacity according to MEA installation instructions.



### MEACRET LINE 200 KERBS WITH INTERRUPTED SLOT, KERB 18 CM, WITH FALL 0,5%, LOADING CLASS E 600 ACCORDING TO EN 1433

Description	Oder-No.	Length [mm]	Width [mm]	Height [mm]	kg/unit
MEACRET LINE 200 kerb with interrupted slot, slope 0,5%, internal height 200/220 mm, 4 m, kerb-height 18 cm left, E 600 *)	010741682	3995	450	680	2008,00
MEACRET LINE 200 kerb with interrupted slot, slope 0,5%, internal height 200/220 mm, 4 m, kerb-height 18 cm right, E 600 *)	010741684	3995	450	680	2008,00
MEACRET LINE 200 kerb with interrupted slot, slope 0,5%, internal height 220/240 mm, 4 m, kerb-height 18 cm left, E 600 *)	010741686	3995	450	680	1962,00
MEACRET LINE 200 kerb with interrupted slot, slope 0,5%, internal height 220/240 mm, 4 m, kerb-height 18 cm right, E 600 *)	010741688	3995	450	680	1962,00
MEACRET LINE 200 kerb with interrupted slot, slope 0,5%, internal height 240/260 mm, 4 m, kerb-height 18 cm left, E 600 *)	010741690	3995	450	680	1912,00
MEACRET LINE 200 kerb with interrupted slot, slope 0,5%, internal height 240/260 mm, 4 m, kerb-height 18 cm right, E 600 *)	010741692	3995	450	680	1912,00
MEACRET LINE 200 kerb with interrupted slot, slope 0,5%, internal height 260/280 mm, 4 m, kerb-height 18 cm left, E 600 *)	010741694	3995	450	680	1867,00
MEACRET LINE 200 kerb with interrupted slot, slope 0,5%, internal height 260/280 mm, 4 m, kerb-height 18 cm right, E 600 *)	010741696	3995	450	680	1867,00
MEACRET LINE 200 kerb with interrupted slot, slope 0,5%, internal height 280/300 mm, 4 m, kerb-height 18 cm left, E 600 *)	010741698	3995	450	680	1820,00
MEACRET LINE 200 kerb with interrupted slot, slope 0,5%, internal height 280/300 mm, 4 m, kerb-height 18 cm right, E 600 *)	010741740	3995	450	680	1820,00

\*) Delivery time on demand.



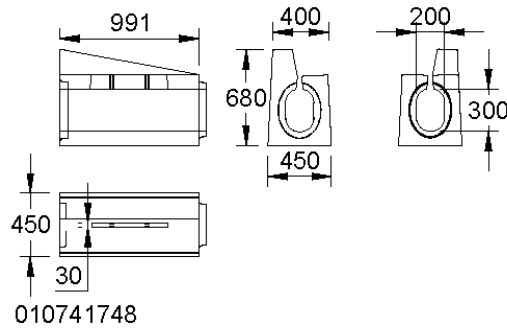
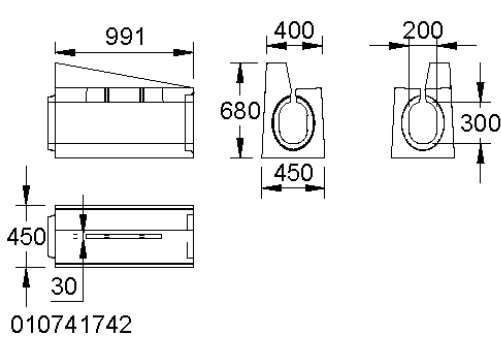
# MEACRET LINE 200 KERB

A 15, B 125, C 250, D 400, E 600      Nominal width 200

## MEACRET LINE 200 LOWERING ELEMENT

### KERB-HEIGHT 18 CM, WITHOUT FALL

Drainage channel as lowering element with integrated kerbstone for drainage of paved surfaces and for safe separation of a road from walking surfaces. Kerb with interrupted slot (slot width 50 mm) and without fall. Clear width of the kerb 200 mm, total width 450 mm, kerb height 18 cm. Special lengths on request. Loading classes A 15 to E 600 according to EN 1433. Load capacity according to MEA installation instructions.



### MEACRET LINE 200 LOWERING ELEMENT WITH INTERRUPTED SLOT, KERB 18 CM, WITHOUT FALL, LOADING CLASS E 600 ACCORDING TO EN 1433

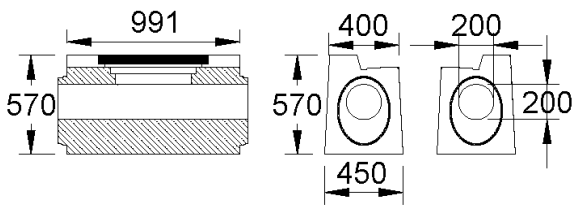
Description	Order-No.	Length [mm]	Width [mm]	Height [mm]	Height 2 [mm]	kg/unit
MEACRET LINE 200 lowering element with interrupted slot, without slope, internal height 300/300 mm, 1 m, with kerb 18-0 cm left, E 600 *)	010741742	991	450	680	500	383,00
MEACRET LINE 200 lowering element with interrupted slot, without slope, internal height 300/300 mm, 1 m, with kerb 18-0 cm right, E 600 *)	010741744	991	450	680	500	383,00
MEACRET LINE 200 lowering element with interrupted slot, without slope, internal height 300/300 mm, 1 m, with kerb 0-18 cm, left E 600 *)	010741746	991	450	500	680	383,00
MEACRET LINE 200 lowering element with interrupted slot, without slope, internal height 300/300 mm, 1 m, with kerb 0-18 cm right, E 600 *)	010741748	991	450	500	680	383,00

\*) Delivery time on demand.

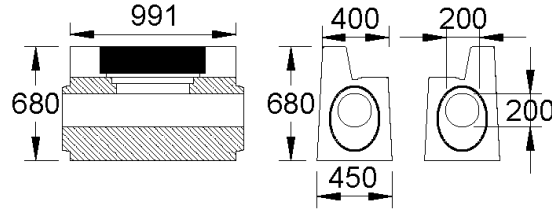
# MEACRET LINE 200 KERB

A 15, B 125, C 250, D 400, E 600 Nominal width 200

## MEACRET LINE 200 ACCESSORIES



010741750



010741764

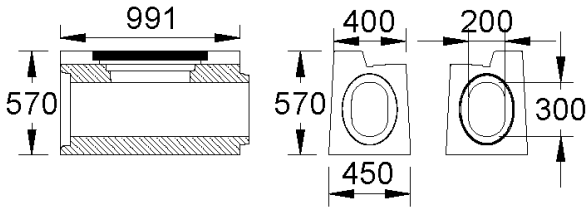
### MEACRET LINE 200 KERB REVISION ELEMENT INCL. DUCTILE IRON-SLOTTED GRATING, WITH TONGUE-TONGUE CONNECTION, LOADING CLASS E 600/F 900 ACCORDING TO EN 1433

Description	Oder-No.	Length [mm]	Width [mm]	Height [mm]	kg/unit
MEACRET LINE 200 cleaning unit centre, internal height 200/200 mm, Tongue-Tongue connection, with kerb 7 cm left, including ductile iron grate, E 600/F 900*)	010741750	992	450	570	420,00
MEACRET LINE 200 cleaning unit centre internal height 200/200 mm, Tongue-Tongue connection, with kerb 7 cm right, including ductile iron grate, E 600/F 900 *)	010741752	992	450	570	420,00
MEACRET LINE 200 cleaning unit centre, internal height 200/200 mm, Tongue-Tongue connection, with kerb 12 cm left, including ductile iron grate, E 600/F 900 *)	010741754	992	450	620	428,00
MEACRET LINE 200 cleaning unit centre, internal height 200/200 mm, Tongue-Tongue connection, with kerb 12 cm right, including ductile iron grate, E 600/F 900 *)	010741756	992	450	620	428,00
MEACRET LINE 200 cleaning unit centre, internal height 200/200 mm, Tongue-Tongue connection, with kerb 15 cm left, including ductile iron grate, E 600/F 900 *)	010741758	992	450	650	386,00
MEACRET LINE 200 cleaning unit centre, internal height 200/200 mm, Tongue-Tongue connection, with kerb 15 cm right, including ductile iron grate, E 600/F 900 *)	010741760	992	450	650	386,00
MEACRET LINE 200 cleaning unit centre, internal height 200/200 mm, Tongue-Tongue connection, with kerb 18 cm left, including ductile iron grate, E 600/F 900 *)	010741762	992	450	680	390,00
MEACRET LINE 200 cleaning unit centre, internal height 200/200 mm, Tongue-Tongue connection, with kerb 18 cm right, including ductile iron grate, E 600/F 900 *)	010741764	992	450	680	390,00

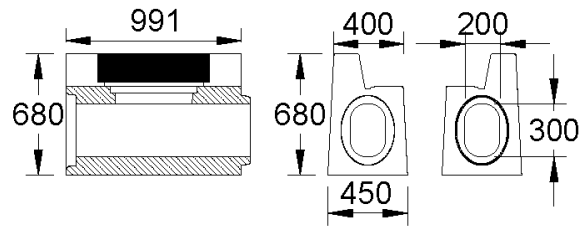
\*) Delivery time on demand.

# MEACRET LINE 200 KERB

A 15, B 125, C 250, D 400, E 600 Nominal width 200



010741766



010741780

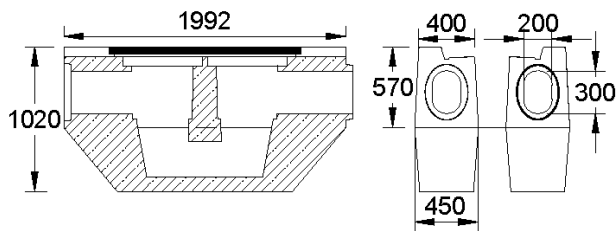
## MEACRET LINE 200 KERB REVISION ELEMENT INCL. DUCTILE IRON-SLOTTED GRATING, WITH TONGUE-GROOVE-CONNECTION, LOADING CLASS E 600/F 900 ACCORDING TO EN 1433

Description	Oder-No.	Length [mm]	Width [mm]	Height [mm]	kg/unit
MEACRET LINE 200 cleaning unit basic, internal height 300/300 mm, Tongue-Groove connection, with kerb 7 cm left, including ductile iron grate, E 600/F 900 *)	010741766	992	450	570	365,00
MEACRET LINE 200 cleaning unit basic, internal height 300/300 mm, Tongue-Groove connection, with kerb 7 cm right, including ductile iron grate, E 600/F 900 *)	010741768	992	450	570	365,00
MEACRET LINE 200 cleaning unit basic, internal height 300/300 mm, Tongue-Groove connection, with kerb 12 cm left, including ductile iron grate, E 600/F 900 *)	010741770	992	450	620	375,00
MEACRET LINE 200 cleaning unit basic, internal height 300/300 mm, Tongue-Groove connection, with kerb 12 cm right, including ductile iron grate, E 600/F 900 *)	010741772	992	450	620	375,00
MEACRET LINE 200 cleaning unit basic, internal height 300/300 mm, Tongue-Groove connection, with kerb 15 cm left, including ductile iron grate, E 600/F 900 *)	010741774	992	450	650	386,00
MEACRET LINE 200 cleaning unit basic, internal height 300/300 mm, Tongue-Groove connection, with kerb 15 cm right, including ductile iron grate, E 600/F 900 *)	010741776	992	450	650	386,00
MEACRET LINE 200 cleaning unit basic, internal height 300/300 mm, Tongue-Groove connection, with kerb 18 cm left, including ductile iron grate, E 600/F 900 *)	010741778	992	450	680	390,00
MEACRET LINE 200 cleaning unit basic, internal height 300/300 mm, Tongue-Groove connection, with kerb 18 cm right, including ductile iron grate, E 600/F 900 *)	010741780	992	450	680	390,00

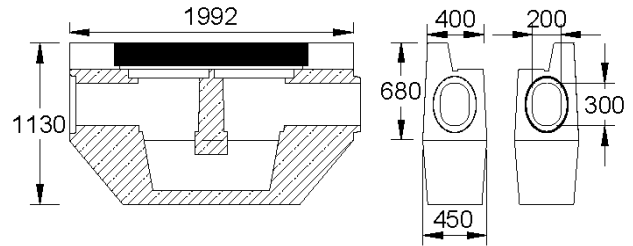
\*) Delivery time on demand.

# MEACRET LINE 200 KERB

A 15, B 125, C 250, D 400, E 600 Nominal width 200



010741782



010741796

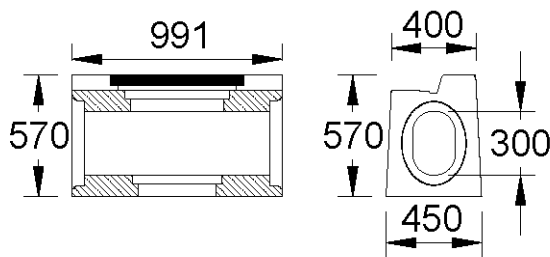
## MEACRET LINE 200 KERB DWS DIVING-WALL-SHAFT, WITH KERBS, INCL. DUCTILE IRON COVER, LOADING CLASS E 600/F 900 ACCORDING TO EN 1433

Description	Oder-No.	Length [mm]	Width [mm]	Height [mm]	kg/unit
MEACRET LINE 200 DWS diving-wall-shaft, self-extinguishing, with kerb 7 cm left, 2 m, E 600/F 900 *)	010741782	1992	450	1020	1106,00
MEACRET LINE 200 DWS diving-wall-shaft, self-extinguishing, with kerb 7 cm right, 2 m, E 600/F 900 *)	010741784	1992	450	1020	1106,00
MEACRET LINE 200 DWS diving-wall-shaft, self-extinguishing, with kerb 12 cm left, 2 m, E 600/F 900 *)	010741786	1992	450	1070	1115,00
MEACRET LINE 200 DWS diving-wall-shaft, self-extinguishing, with kerb 12 cm right, 2 m, E 600/F 900 *)	010741788	1992	450	1070	1115,00
MEACRET LINE 200 DWS diving-wall-shaft, self-extinguishing, with kerb 15 cm left, 2 m, E 600/F 900 *)	010741790	1992	450	1100	1126,00
MEACRET LINE 200 DWS diving-wall-shaft, self-extinguishing, with kerb 15 cm right, 2 m, E 600/F 900 *)	010741792	1992	450	1100	1126,00
MEACRET LINE 200 DWS diving-wall-shaft, self-extinguishing, with kerb 18 cm left, 2 m, E 600/F 900 *)	010741794	1992	450	1130	1137,00
MEACRET LINE 200 DWS diving-wall-shaft, self-extinguishing, with kerb 18 cm right, 2 m, E 600/F 900 *)	010741796	1992	450	1130	1137,00

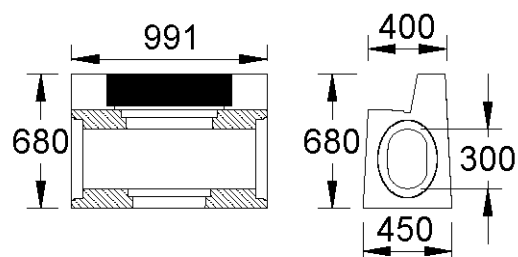
\*) Delivery time on demand.

# MEACRET LINE 200 KERB

A 15, B 125, C 250, D 400, E 600      Nominal width 200



010741798



010741812

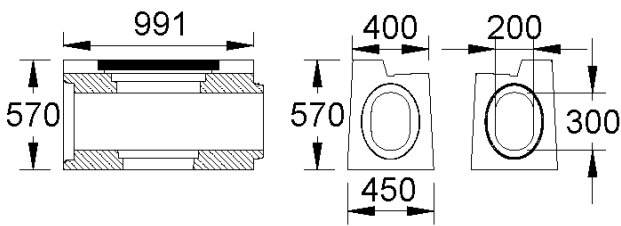
## MEACRET LINE 200 GULLY UPPER PARTS WITH KERB INCL. DUCTILE IRON-SLOTTED GRATING, FOR GROOVE-GROOVE CONNECTION, LOADING CLASS E 600/F 900 ACCORDING TO EN 1433

Description	Oder-No.	Length [mm]	Width [mm]	Height [mm]	kg/unit
MEACRET LINE 200 Gully Upper-part, internal height 300/300 mm, with kerb 7 cm left, Groove-Groove connection, 1 m, including basket small and ductile iron grate, E 600/F 900 *)	010741798	991	450	570	275,00
MEACRET LINE 200 Gully Upper-part, internal height 300/300 mm, with kerb 7 cm right, Groove-Groove connection, 1 m, including basket small and ductile iron grate, E 600/F 900 *)	010741800	991	450	570	275,00
MEACRET LINE 200 Gully Upper-part, internal height 300/300 mm, with kerb 12 cm left, Groove-Groove connection, 1 m, including basket small and ductile iron grate, E 600/F 900 *)	010741802	991	450	620	283,00
MEACRET LINE 200 Gully Upper-part, internal height 300/300 mm, with kerb 12 cm right, Groove-Groove connection, 1 m, including basket small and ductile iron grate, E 600/F 900 *)	010741804	991	450	620	283,00
MEACRET LINE 200 Gully Upper-part, internal height 300/300 mm, with kerb 15 cm left, Groove-Groove connection, 1 m, including basket small and ductile iron grate, E 600/F 900 *)	010741806	991	450	650	288,00
MEACRET LINE 200 Gully Upper-part, internal height 300/300 mm, with kerb 15 cm right, Groove-Groove connection, 1 m, including basket small and ductile iron grate, E 600/F 900 *)	010741808	991	450	650	288,00
MEACRET LINE 200 Gully Upper-part, internal height 300/300 mm, with kerb 18 cm left, Groove-Groove connection, 1 m, including basket small and ductile iron grate, E 600/F 900 *)	010741810	991	450	680	293,00
MEACRET LINE 200 Gully Upper-part, internal height 300/300 mm, with kerb 18 cm right, Groove-Groove connection, 1 m, including basket small and ductile iron grate, E 600/F 900 *)	010741812	991	450	680	293,00

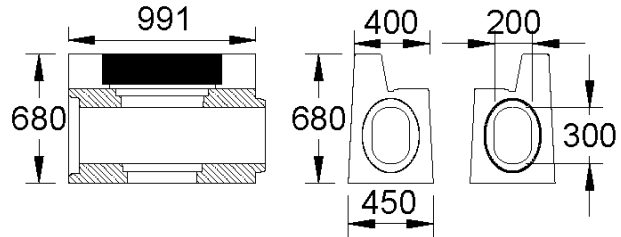
\*) Delivery time on demand.

# MEACRET LINE 200 KERB

A 15, B 125, C 250, D 400, E 600 Nominal width 200



010741816



010741828

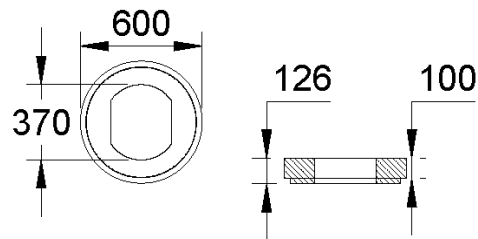
## MEACRET LINE 200 GULLY UPPER PARTS INCL. DUCTILE IRON-SLOTTED GRATING, FOR TONGUE-GROOVE CONNECTION, LOADING CLASS E 600/F 900 ACCORDING TO EN 1433

Description	Oder-No.	Length [mm]	Width [mm]	Height [mm]	kg/unit
MEACRET LINE 200 Gully Upper-part, internal height 300/300 mm, with kerb 7 cm left, Tongue-Groove connection, 1 m, including basket small and ductile iron grate, E 600/F 900 *)	010741814	991	450	680	275,00
MEACRET LINE 200 Gully Upper-part, internal height 300/300 mm, with kerb 7 cm right, Tongue-Groove connection, 1 m, including basket small and ductile iron grate, E 600/F 900 *)	010741816	991	450	570	275,00
MEACRET LINE 200 Gully Upper-part, internal height 300/300 mm, with kerb 12 cm left, Tongue-Groove connection, 1 m, including basket small and ductile iron grate, E 600/F 900 *)	010741818	991	450	620	283,00
MEACRET LINE 200 Gully Upper-part, internal height 300/300 mm, with kerb 12 cm right, Tongue-Groove connection, 1 m, including basket small and ductile iron grate, E 600/F 900 *)	010741820	991	450	620	283,00
MEACRET LINE 200 Gully Upper-part, internal height 300/300 mm, with kerb 15 cm left, Tongue-Groove connection, 1 m, including basket small and ductile iron grate, E 600/F 900 *)	010741822	991	450	650	288,00
MEACRET LINE 200 Gully Upper-part, internal height 300/300 mm, with kerb 15 cm right, Tongue-Groove connection, 1 m, including basket small and ductile iron grate, E 600/F 900 *)	010741824	991	450	650	288,00
MEACRET LINE 200 Gully Upper-part, internal height 300/300 mm, with kerb 18 cm left, Tongue-Groove connection, 1 m, including basket small and ductile iron grate, E 600/F 900 *)	010741826	991	450	680	293,00
MEACRET LINE 200 Gully Upper-part, internal height 300/300 mm, with kerb 18 cm right, Tongue-Groove connection, 1 m, including basket small and ductile iron grate, E 600/F 900 *)	010741828	991	450	680	293,00

\*) Delivery time on demand.

# MEACRET LINE 200 KERB

A 15, B 125, C 250, D 400, E 600      Nominal width 200



010741830

## MEACRET LINE 200 ADAPTER FOR GULLY UPPER PARTS TO GULLY INTERMEDIATE AND LOWER PARTS

Description	Oder-No.	Length [mm]	Width [mm]	Height [mm]	kg/unit
MEACRET LINE 200 adapter plate gully upper part for gully intermediate part / gully lower part *)	010741830	600	600	100	53,00

## MEACRET LINE 200 GULLY INTERMEDIATE AND LOWER PARTS

Description	Oder-No.	Length [mm]	Width [mm]	Height [mm]	kg/unit
MEACRET LINE 200 gully intermediate part, short, Ø 500 mm, height 290 mm *)	010741832	600	600	290	60,00
MEACRET LINE 200 gully intermediate part, long, Ø 500 mm, height 590 mm *)	010741834	600	600	590	120,00
MEACRET LINE 200 gully lower part with pipe socket Ø 160 mm *)	010741836	600	600	590	232,00
MEACRET LINE 200 gully lower part with pipe socket Ø 200 mm *)	010741838	600	600	590	232,00

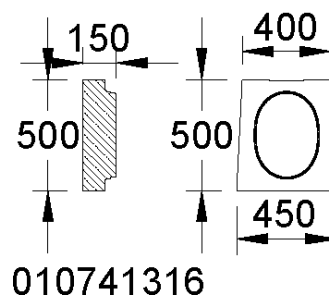
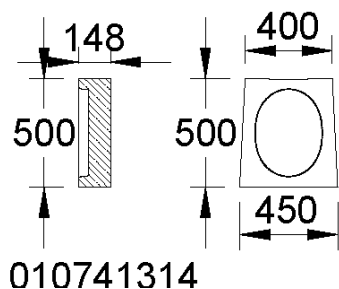
\*) Delivery time on demand.

# MEACRET LINE 200 KERB

A 15, B 125, C 250, D 400, E 600      Nominal width 200



BUILDING SUCCESS



## MEACRET LINE 200 END CAPS

Description	Oder-No.	Length [mm]	Width [mm]	Height [mm]	kg/unit
MEACRET LINE 200.G Endcap with groove *)	010741314	150	450	500	66,00
MEACRET LINE 200.T Endcap with tongue *)	010741316	150	450	500	55,00

\*) Delivery time on demand.

This edition of the technical data sheet is valid on its own from October 2021, until a revised version is published, and replaces earlier publications. The current version is available for download at [www.mea-group.com](http://www.mea-group.com).

MEA Bautechnik GmbH  
 Business unit MEA Water Management  
 Sudetenstraße 1  
 86551 Aichach  
 Tel.: +49 (0) 82 51. 91 0  
 Fax: +49 (0) 82 51. 91 13 06  
 E-Mail: [info@mea-group.com](mailto:info@mea-group.com)  
[www.mea-group.com](http://www.mea-group.com)