

MATERIAL CHARACTERISTICS

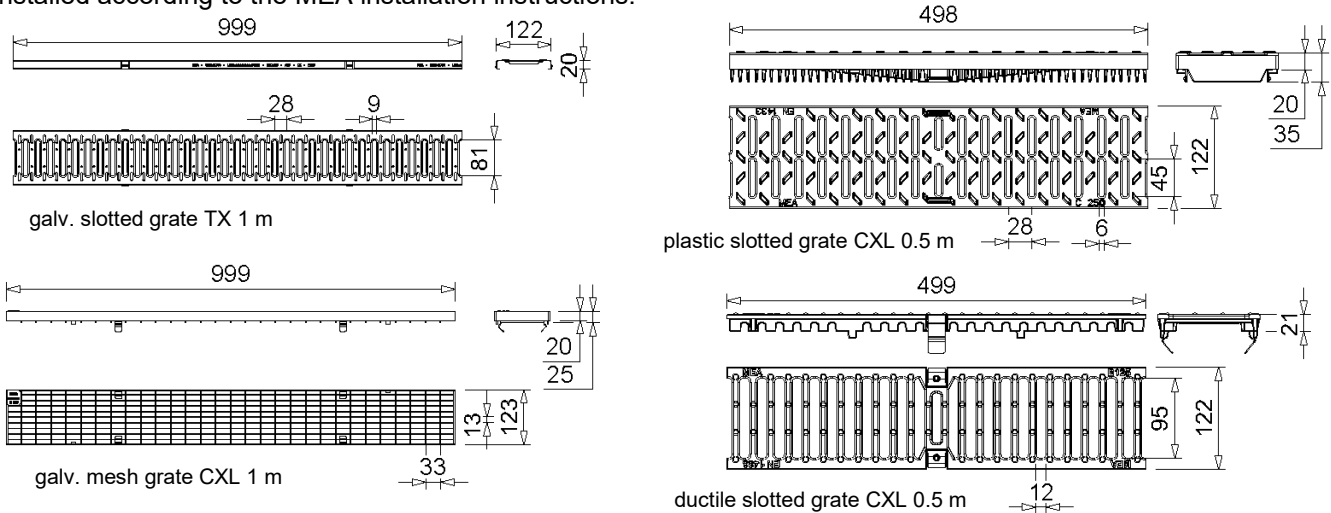
FIBERGLASS COMPOSITE	glass-fibre-reinforced polyester, mineral fillers, additives
TENSILE STRENGTH	65 N/mm ² (ISO 527)
BENDING STRENGTH	120 N/mm ² (ISO 14125)
ELASTICITY MODULE	10,000 N/mm ² (ISO 14125)
DENSITY	2.0 g/cm ³ (ISO 1172)
COEFFICIENT OF LINEAR EXPANSION	1.5 - 2.0 x 10 ⁻⁵ 1/K
HEAT RESISTANCE	100°C continuous load, up to 240°C with a load duration up to 110 min.
FROST RESISTANCE	-35°C
WATER PENETRATION LEVEL	0 mm
WATER ABSORPTION	0,078 % (EN ISO 62:2008-05 Procedure 1)
MATERIAL STRUCTURE	Capillary free

PURPOSE OF USE

Component for the line drainage of surfaces in order to collect, transport and discharge rainwater from adjacent fixed surfaces.

MEAFLUID 1000 DRAINAGE CHANNEL WITH GRP EDGE

Channel made of glass-fibre-reinforced composite. Clear width 100 mm, total width 136 mm. Suitable for all channel covers with **non-bolted MEA 100 CLIPFIX** and **TOPFIX** channel securement, **MEA 100 channel covers with bolt fixing required** channel cover securement and **MEA TSC 100 TOPSLOT**. For the realisation of water level slopes. Loading classes A 15 to C 250 according to EN 1433. Load capacity according to specification when installed according to the MEA installation instructions.



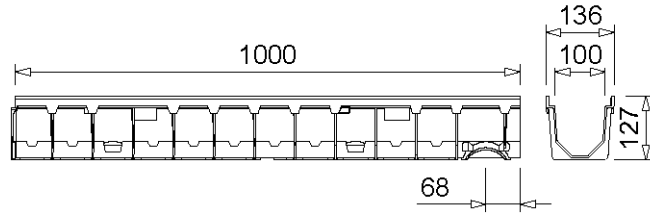
MEAFLUID GREY 1000 COMPLETE CHANNELS

Designation	Ord. No.	Length (mm)	Height (mm)	kg/unit
MEAFLUID GREY 1000.0 complete channel 1 m with galv. slotted grating-A 15 TX 4)	010145124	1000	127	4,90
MEAFLUID GREY 1000.0 complete channel 1 m with galv. mesh grating-B 125 CXL 4)	010145126	1000	127	5,90
MEAFLUID GREY 1000.0 complete channel 1 m with plastic slotted grating-B 125 CXL 4)	010145128	1000	127	4,30
MEAFLUID GREY 1000.0 complete channel 1 m with ductile iron slotted grating-B 125 CXL 4)	010145130	1000	127	6,80
MEAFLUID GREY 1000.0 complete channel 1 m with plastic slotted grating-C 250 CX 4)	010145127	1000	127	4,74
MEAFLUID GREY 1000.0 complete channel 1 m with ductile iron slotted grating-C 250 CX 4)	010145129	1000	127	9,20

MEAFLUID BLACK 1000 COMPLETE CHANNELS

Designation	Ord. No.	Length (mm)	Height (mm)	kg/unit
MEAFLUID BLACK 1000.0 complete channel 1 m with galv. slotted grating-A 15 TX 4)	010145005	1000	127	5,00
MEAFLUID BLACK 1000.0 complete channel 1 m with plastic slotted grating-B 125 CXL 4)	010145137	1000	127	4,19
MEAFLUID BLACK 1000.0 complete channel 1 m with ductile iron slotted grating-B 125 CX 4) *)	010145009	1000	127	5,00
MEAFLUID BLACK 1000.0 complete channel 1 m with plastic slotted grating-C 250 CXL 4)	010145135	1000	127	4,74
MEAFLUID BLACK 1000.0 complete channel 1 m with ductile iron slotted grating-C 250 CXL 4)	010145139	1000	127	9,20
MEAFLUID BLACK 1000.1 complete channel 0,5 m with galv. slotted grating-A 15 TX	010145006	500	127	2,50

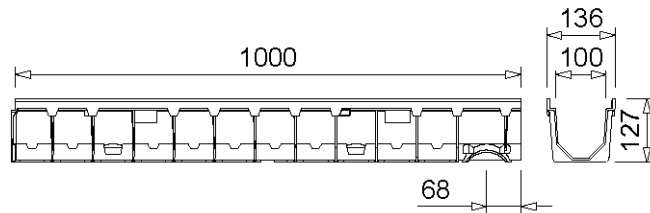
4) Connection option for vertical drain Ø 110 mm or to end caps with connector or to gullies / silt boxes.



010145100

MEAFUID 1000 DRAINAGE CHANNEL BODY WITHOUT FALL, LOADING CLASSES UP TO C 250

Designation	Ord. No.	Length (mm)	Height (mm)	kg/unit
MEAFUID GREY 1000.0 Drainage channel body-1 m 4)	010145100	1000	127	2,60



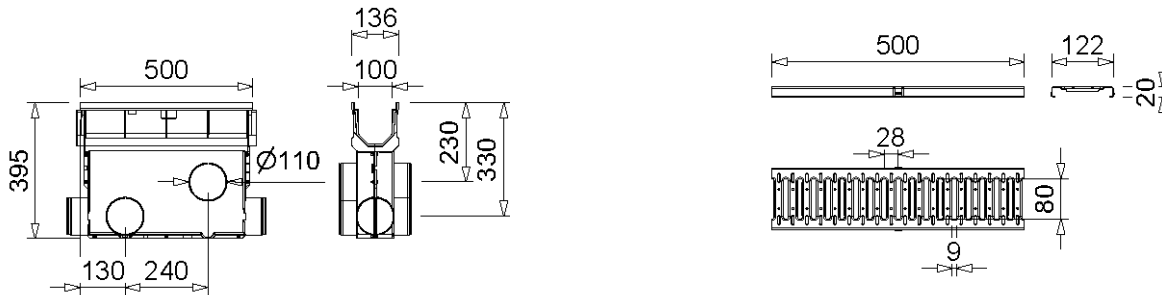
010145000

MEAFUID BLACK 1000 DRAINAGE CHANNEL BODY WITHOUT FALL, LOADING CLASSES UP TO C 250

Designation	Ord. No.	Length (mm)	Height (mm)	kg/unit
MEAFUID BLACK 1000 Drainage channel body-1 m 4)	010145000	1000	127	2,60
MEAFUID BLACK 1000 Drainage channel body-0.5 m	010145008	500	127	1,30

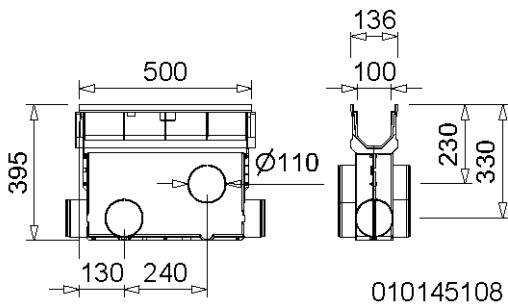
4) Connection option for vertical drain Ø 110 mm or to end caps with connector or to gullies / silt boxes.

MEAFUID 1000 ACCESSORIES

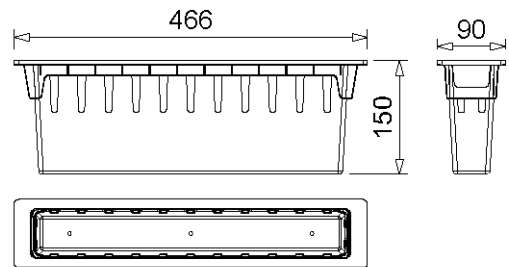


MEAFUID BLACK 1000 SILT BOX WITH SLOTTED GRATING

Designation	Ord. No.	Length (mm)	Height (mm)	kg/unit
MEAFUID BLACK 1000.EK silt box with galv. slotted grating-A 15-0,5 m TX	010145007	500	395	4,00



010145108

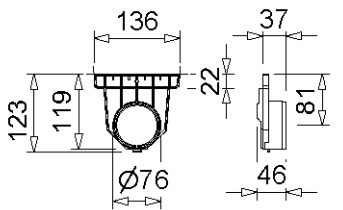


010710061

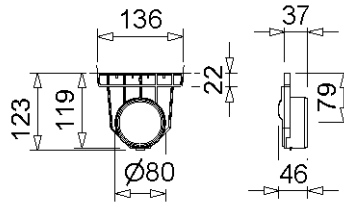
MEAFUID (BLACK) 1000 SILT BOX WITH SEDIMENT BUCKET

Designation	Ord. No.	Length (mm)	Height (mm)	kg/unit
MEAFUID 1000.EK silt box 0.5 m with sediment bucket	010145108	500	395	5,00
MEAFUID BLACK 1000.EK silt box 0.5 m with sediment bucket	010145002	500	395	2,60
MEA GARD LINE-RIN-FLUID 1000-Plastic sediment bucket *)	010710061	466	150	0,31

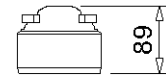
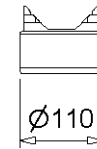
*) Delivery time on demand



010141350



010141352



010145004

MEAFLUID 1000 END CAPS AND DRAIN ACCESSORIES

Designation	Ord. No.	Height (mm)	Material	kg/unit
MEAFLUID GREY 1000.SE closed end cap for channel start/end with pipe connection option Ø 75 mm	010141350	123	PP	0,06
MEAFLUID GREY 1000.SE closed end cap for channel start/end with pipe connection option Ø 80 mm	010141352	123	PP	0,06
MEAFLUID BLACK 1000.SE closed end cap for channel start/end with pipe connection option Ø 75 mm	010145003	123	PP	0,30
MEAFLUID BLACK 1000 connector Ø 110 mm	010145004	89	UP-GF	0,30
MEAFLUID 1000 Drainage kit, contains drainage connector Ø 110 mm, odour trap, and 2 end caps closed	010141400	-	PP	0,30

This edition of the technical data sheet shall be valid from April 2023 until a revised version is published and replaces any previous publications. The respectively current version is available for download at www.mea-group.com.

MEA Bautechnik GmbH
 Business unit MEA Water Management
 Sudetenstraße 1
 86551 Aichach
 Tel.: +49 (0) 82 51. 91 0
 Fax: +49 (0) 82 51. 91 13 06
 E-Mail: info@mea-group.com
www.mea-group.com