

MEA 200 CLIPFIX CHANNEL COVERS

A 15, B 125, C 250, D 400**, E 600**

CW 200



BUILDING SUCCESS

PURPOSE OF USE

Channel covers for MEA drainage channels, as part of a drainage system to catch, transport and evacuate rainwater from adjoining surfaces.

** Not suitable for the diagonal or transverse travel of motorways and highways.

MEA 200 CLIPFIX CHANNEL COVERS

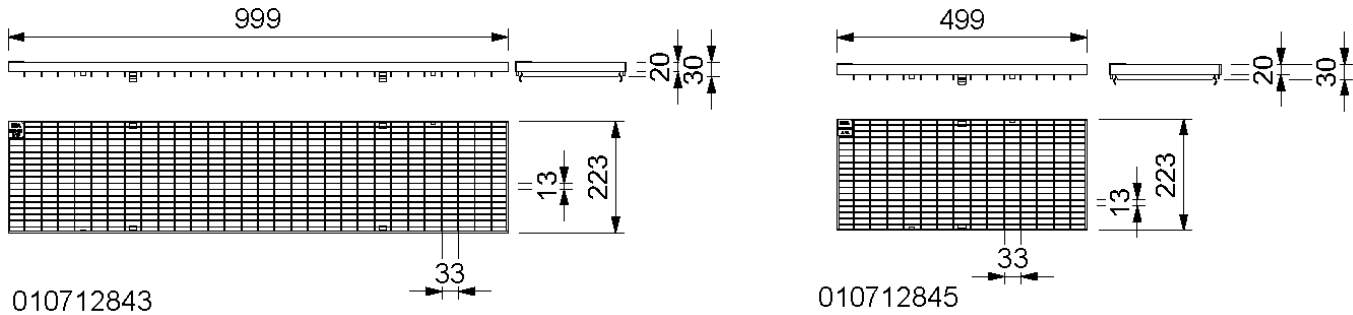
A 15, B 125, C 250, D 400**, E 600**

CW 200

BUILDING SUCCESS

MEA 200 CLIPFIX CHANNEL COVERS

With non-bolted CLIPFIX channel cover securement, with longitudinal shift protection. Suitable for the systems **MEARIN PLUS/EXPERT 200, MEARIN PLUS F 200, MEADRAIN SV/SE/SG 2000** and **MEADRAIN SVF/SEF 2000**. For drainage channel body and gully, total width of the grates 222 mm.



MEA 200 CLIPFIX, MESH GRATING 30/10, LOADING CLASS A 15 ACCORDING TO EN 1433

Designation	Ord. No.	Material	Length	Inlet sect. area \varnothing cm ² /m above	kg/unit
MEA 200 Galv. mesh grating-A 15-1 m-30/10 CXL	010712843	Galv. steel	1000	1657	5,97
MEA 200 Galv. mesh grating-A 15-0,5 m-30/10 CXL	010712845	Galv. steel	500	1657	3,10
MEA 200 Stainless steel mesh grating-A 15-1 m 30/10 CXL *)	010152936	Stainl. steel	1000	1657	5,97
MEA 200 Stainless steel mesh grating-A 15-0,5 m 30/10 CXL *)	010152938	Stainl. steel	500	1657	3,10

* Delivery time on demand.

** Not suitable for the diagonal or transverse travel of motorways and highways.

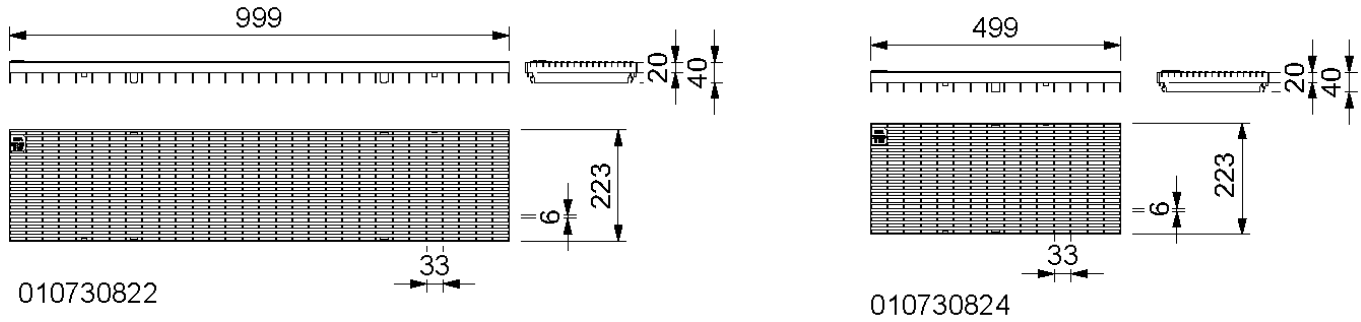
MEA 200 CLIPFIX CHANNEL COVERS

A 15, B 125, C 250, D 400**, E 600**

CW 200

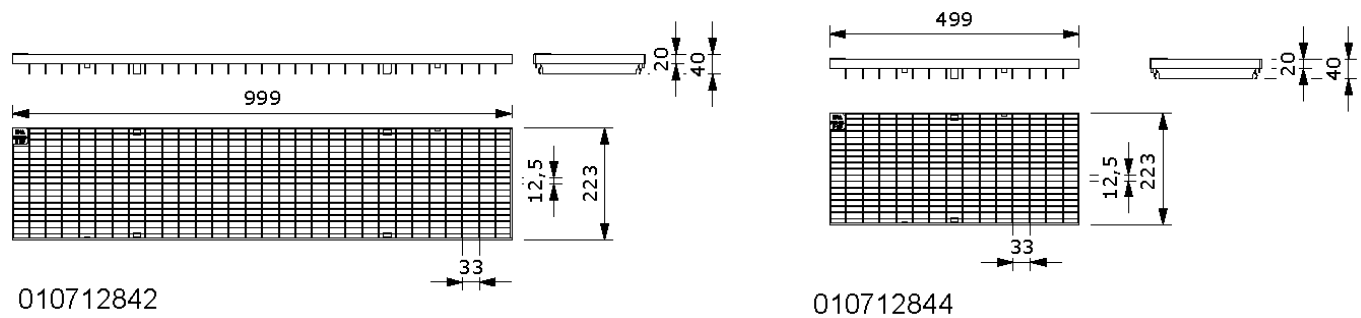


BUILDING SUCCESS



MEA 200 CLIPFIX, LONGITUDINAL BAR GRATING 31/7, LOADING CLASS B 125 ACCORDING TO EN 1433

Designation	Ord. No.	Material	Length	Inlet sect. area \varnothing cm ² /m above	kg/unit
MEA 200 Galv. Longitudinal bar grating-B 125-1 m 31/7 CXL, heelguard	010730822	Galv. steel	1000	1078	7,31
MEA 200 Galv. Longitudinal bar grating-B 125-0,5 m 31/7 CXL, heelguard	010730824	Galv. steel	500	1078	3,81
MEA 200 Stainl.steel longitudinal bar grating-B 125-1 m 31/7 CXL, heelguard *)	010730826	Stainl. steel	1000	1078	7,42
MEA 200 Stainl.steel longitudinal bar grating-B 125-0,5 m 31/7 CXL, heelguard *)	010730828	Stainl. steel	500	1078	3,76



MEA 200 CLIPFIX, MESH GRATING 30/10, LOADING CLASS B 125 ACCORDING TO EN 1433

Designation	Ord. No.	Material	Length	Inlet sect. area \varnothing cm ² /m above	kg/unit
MEA 200 Galv. mesh grating-B 125-1 m-30/10 CXL	010712842	Galv. steel	1000	1799	6,30
MEA 200 Galv. mesh grating-B 125-0,5 m-30/10 CXL	010712844	Galv. steel	500	899	3,15

* Delivery time on demand.

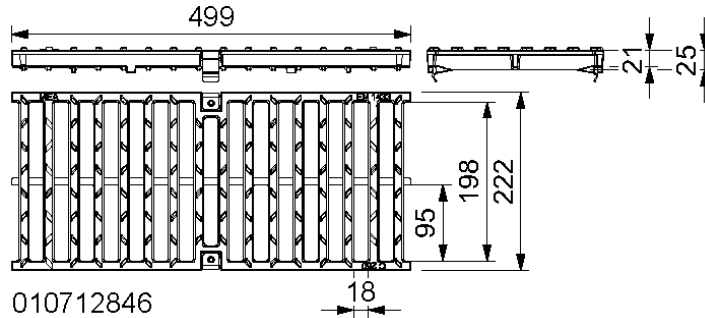
** Not suitable for the diagonal or transverse travel of motorways and highways.

MEA 200 CLIPFIX CHANNEL COVERS

A 15, B 125, C 250, D 400**, E 600**

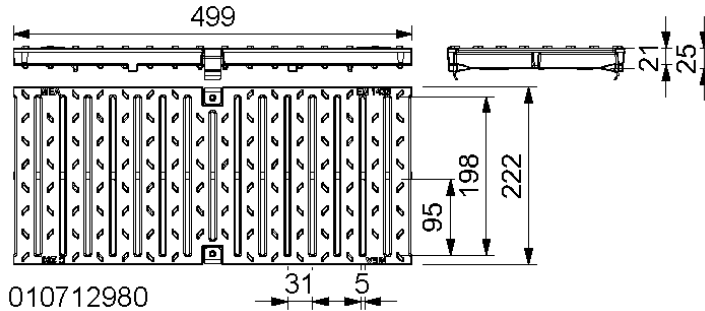
CW 200

BUILDING SUCCESS



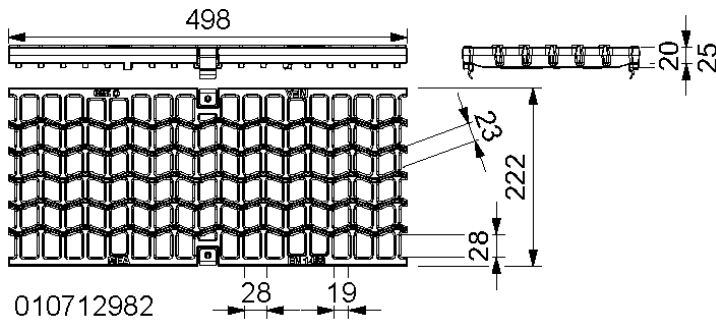
MEA 200 CLIPFIX, SLOTTED GRATING 18/198, LOADING CLASS C 250 ACCORDING TO EN 1433

Designation	Ord. No.	Material	Length	Inlet sect. area \varnothing cm ² /m above	kg/unit
MEA 200 Ductile Iron slotted grating-C 250-0,5 m 18/198 CXL ****)	010712846	Ductile iron	500	1066	6,10



MEA 200 CLIPFIX, SLOTTED GRATING 5/198, LOADING CLASS C 250 ACCORDING TO EN 1433

Designation	Ord. No.	Material	Length	Inlet sect. area \varnothing cm ² /m above	kg/unit
MEA 200 Ductile Iron slotted grating-C 250-0,5 m 5/198 CXL, heelguard ****)	010712980	Ductile iron	500	149	7,50



MEA 200 CLIPFIX, WAVE-GRATING 19/24, LOADING CLASS C 250 ACCORDING TO EN 1433

Designation	Ord. No.	Material	Length	Inlet sect. area \varnothing cm ² /m above	kg/unit
MEA 200 Ductile Iron WAVE grating-C 250-0,5 m 19/24 CXL ****)	010712982	Ductile iron	500	1004	8,10

** Not suitable for the diagonal or transverse travel of motorways and highways.

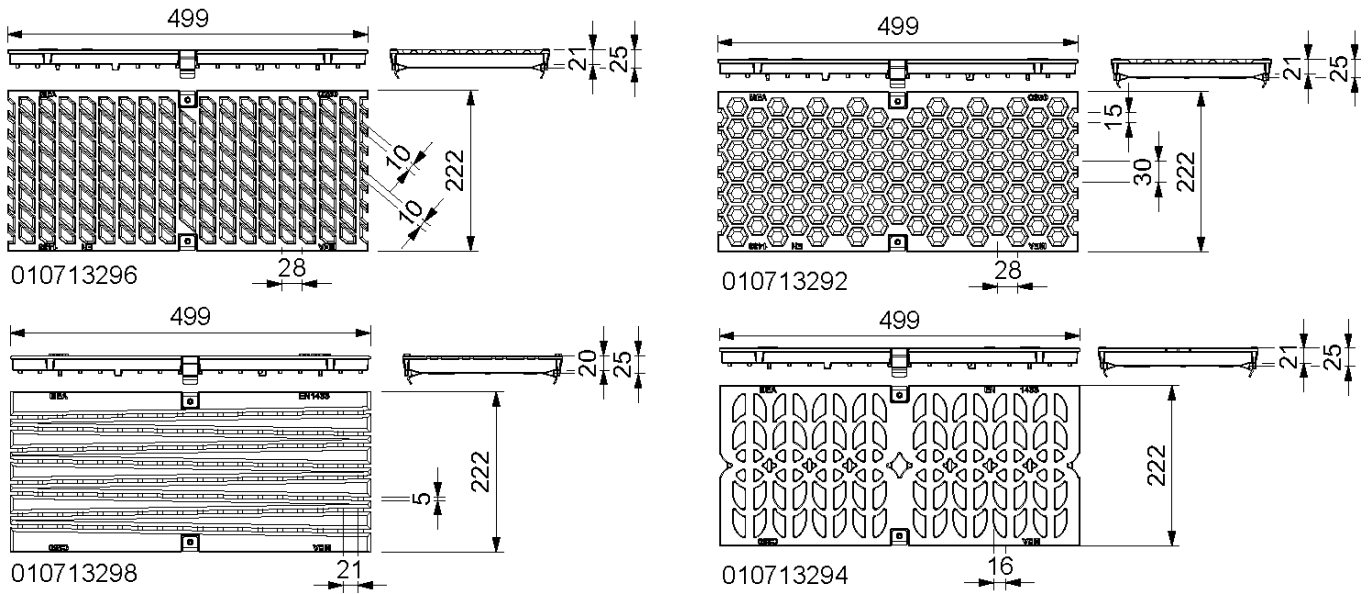
**** The surface coating of ductile iron parts only has a temporary and cosmetic function. Ductile iron is virtually impervious to surface oxidation from environmental influences (e.g. thawing salt). Superficial rust does not constitute a product defect. Of course, the resignation of surface coating is in accordance with all corresponding standards

MEA 200 CLIPFIX CHANNEL COVERS

A 15, B 125, C 250, D 400**, E 600**

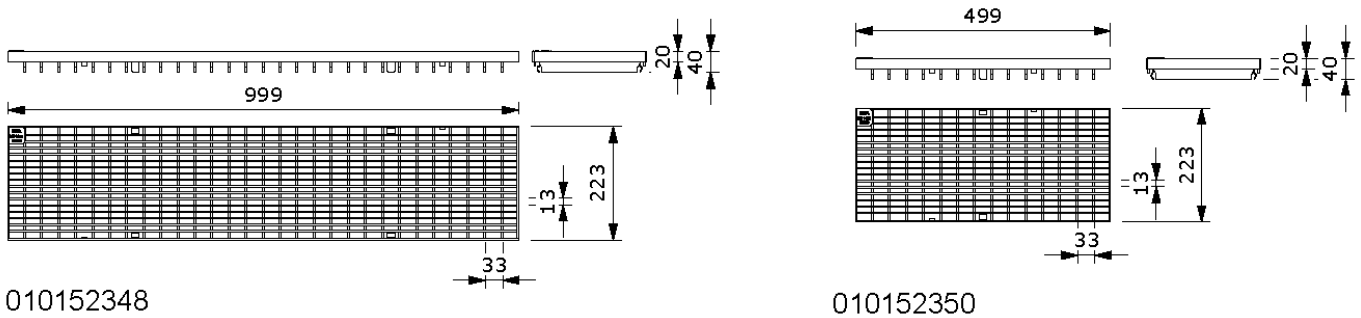
CW 200

BUILDING SUCCESS



MEA 200 CLIPFIX, DESIGN GRATINGS, LOADING CLASS C 250 ACCORDING TO EN 1433

Designation	Ord. No.	Material	Length	Inlet sect. area \varnothing cm ² /m above	kg/unit
MEA 200 Design grating BAVARIA-C 250-0,5 m 10/16 CXL ****)	010713296	Ductile iron	500	593	6,60
MEA 200 Design grating HONEYCOMB-C 250-0,5 m 15/17 CXL ****)	010713292	Ductile iron	500	448	6,30
MEA 200 Design grating BACKGAMMON-C 250-0,5 m 20/5 CXL, heelguard ****)	010713298	Ductile iron	500	400	6,80
MEA 200 Design grating CATHEDRAL-C 250-0,5 m 16/39 CXL ****)	010713294	Ductile iron	500	879	6,60



MEA 200 CLIPFIX, MESH GRATING 30/10, LOADING CLASS C 250 ACCORDING TO EN 1433

Designation	Ord. No.	Material	Length	Inlet sect. area \varnothing cm ² /m above	kg/unit
MEA 200 Galv. mesh grating-C 250-1 m 30/10 CXL	010152348	Galv. steel	1000	1482	11,06
MEA 200 Galv. mesh grating-C 250-0,5 m 30/10 CXL	010152350	Galv. steel	500	1482	5,30
MEA 200 Stainl. steel mesh grating-C 250-1 m-30/10 CXL *)	010712847	Stainl. steel	1000	1482	10,62
MEA 200 Stainl. steel mesh grating-C 250-0,5 m-30/10 CXL *)	010712849	Stainl. steel	500	1482	4,90

* Delivery time on demand.

** Not suitable for the diagonal or transverse travel of motorways and highways.

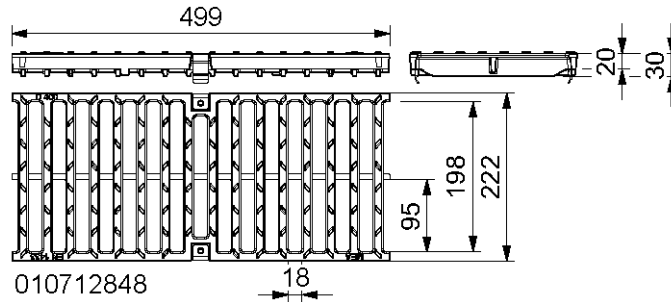
**** The surface coating of ductile iron parts only has a temporary and cosmetic function. Ductile iron is virtually impervious to surface oxidation from environmental influences (e.g. thawing salt). Superficial rust does not constitute a product defect. Of course, the resignation of surface coating is in accordance with all corresponding standards

MEA 200 CLIPFIX CHANNEL COVERS

A 15, B 125, C 250, D 400**, E 600**

CW 200

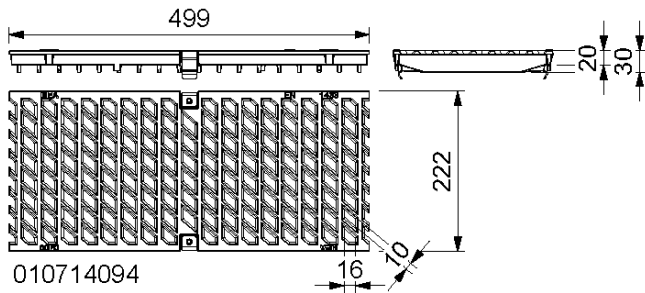
BUILDING SUCCESS



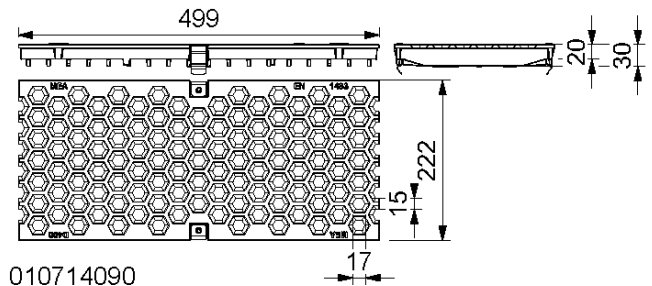
010712848

MEA 200 CLIPFIX, SLOTTED GRATING 18/198, LOADING CLASS D 400** ACCORDING TO EN 1433

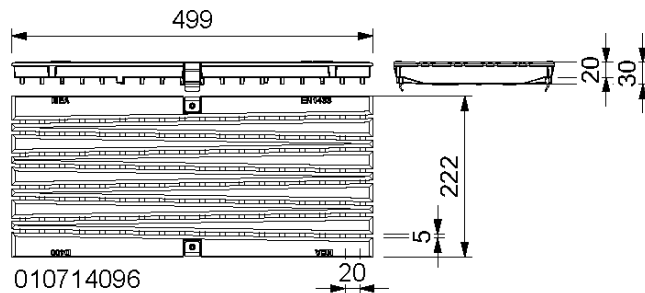
Designation	Ord. No.	Material	Length	Inlet sect. area Ø cm ² /m above	kg/unit
MEA 200 Ductile Iron slotted grating-D 400-0,5 m 18/198 CXL (** ****)	010712848	Ductile iron	500	1066	7,25



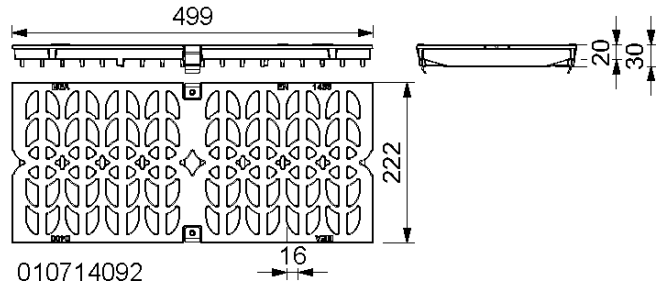
010714094



010714090



010714096



010714092

MEA 200 CLIPFIX, DESIGN GRATINGS, LOADING CLASS D 400** ACCORDING TO EN 1433

Designation	Ord. No.	Material	Length	Inlet sect. area Ø cm ² /m above	kg/unit
MEA 200 Design grating BAVARIA-D 400-0,5 m 10/16 CXL (*) (**) ****)	010714094	Ductile iron	500	593	6,60
MEA 200 Design grating HONEYCOMB-D 400-0,5 m 15/17 CXL (*) (**) ****)	010714090	Ductile iron	500	448	7,10
MEA 200 Design grating BACKGAMMON-D 400-0,5 m 20/5 CXL, heelguard (**) ****)	010714096	Ductile iron	500	400	7,60
MEA 200 Design grating CATHEDRAL-D 400-0,5 m 16/39 CXL (**) ****)	010714092	Ductile iron	500	879	7,40

* Delivery time on demand.

** Not suitable for the diagonal or transverse travel of motorways and highways.

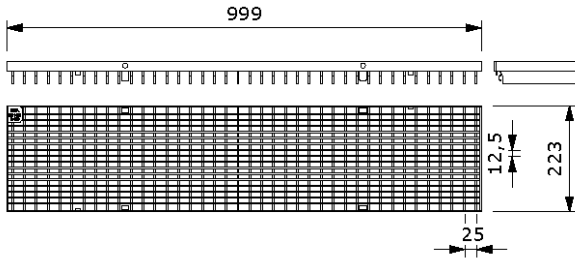
**** The surface coating of ductile iron parts only has a temporary and cosmetic function. Ductile iron is virtually impervious to surface oxidation from environmental influences (e.g. thawing salt). Superficial rust does not constitute a product defect. Of course, the resignation of surface coating is in accordance with all corresponding standards

MEA 200 CLIPFIX CHANNEL COVERS

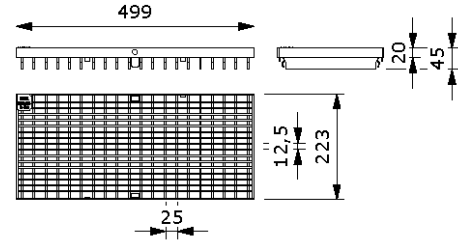
A 15, B 125, C 250, D 400**, E 600**

CW 200

BUILDING SUCCESS



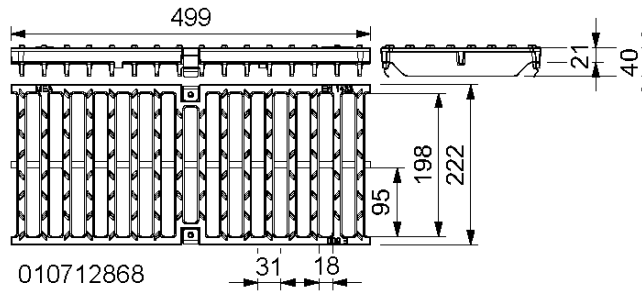
010152355



010152357

MEA 200 CLIPFIX, MESH GRATING 25/10, LOADING CLASS D 400** ACCORDING TO EN 1433

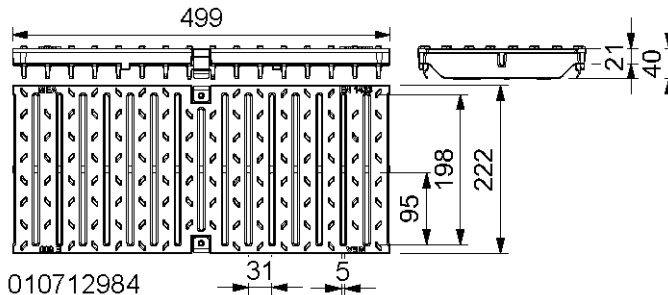
Designation	Ord. No.	Material	Length	Inlet sect. area Ø cm ² /m above	kg/unit
MEA 200 Galv. mesh grating-D 400-1 m 25/10 CXL *) **)	010152355	Galv. steel	1000	1726	13,20
MEA 200 Galv. mesh grating-D 400-0,5 m 25/10 CXL *) **)	010152357	Galv. steel	500	1726	6,50
MEA 200 Stainl. steel mesh grating-D 400-1 m 25/10 CXL *) **)	010152365	Stainl. steel	1000	1726	13,20
MEA 200 Stainl. steel mesh grating-D 400-0,5 m 25/10 CXL *) **)	010152367	Stainl. steel	500	1726	6,50



010712868

MEA 200 CLIPFIX, SLOTTED GRATING 18/198, LOADING CLASS E 600** ACCORDING TO EN 1433

Designation	Ord. No.	Material	Length	Inlet sect. area Ø cm ² /m above	kg/unit
MEA 200 Ductile Iron slotted grating-E 600-0,5 m 18/198 CXL *) **) ****)	010712868	Ductile iron	500	1077	8,40



010712984

MEA 200 CLIPFIX, SLOTTED GRATING 5/198, LOADING CLASS E 600** ACCORDING TO EN 1433

Designation	Ord. No.	Material	Length	Inlet sect. area Ø cm ² /m above	kg/unit
MEA 200 Ductile Iron slotted grating-E 600-0,5 m 5/198 CXL, heelguard **) ****)	010712984	Ductile iron	500	298	9,49

* Delivery time on demand.

** Not suitable for the diagonal or transverse travel of motorways and highways.

**** The surface coating of ductile iron parts only has a temporary and cosmetic function. Ductile iron is virtually impervious to surface oxidation from environmental influences (e.g. thawing salt). Superficial rust does not constitute a product defect. Of course, the resignation of surface coating is in accordance with all corresponding standards

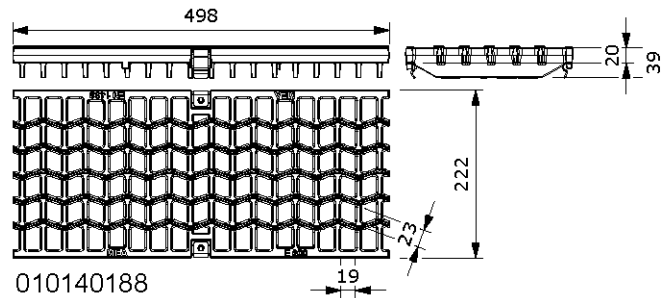
MEA 200 CLIPFIX CHANNEL COVERS

A 15, B 125, C 250, D 400**, E 600**

CW 200



BUILDING SUCCESS



MEA 200 CLIPFIX, WAVE-GRATING 19/24, LOADING CLASS E 600** ACCORDING TO EN 1433

Designation	Ord. No.	Material	Length	Inlet sect. area Ø cm ² /m above	kg/unit
MEA 200 Ductile Iron WAVE grating-E 600-0,5 m 19/24 CXL (** ****)	010140188	Ductile iron	500	1190	10,10

GRID HOOK

Designation	Ord. No.	Material	kg/unit
MEADRAIN/MEARIN Grid hook	010152115	Galv. steel	0,23

MEA 200 CLIPFIX ANTI-THEFT PROTECTION

Designation	Ord. No.	Material	kg/unit
MEA 200 CLIPFIX Anti-theft protection, bolt fixing required, 10 Pack	010714709	Stainl. steel, Plastic	1,20

** Not suitable for the diagonal or transverse travel of motorways and highways.

**** The surface coating of ductile iron parts only has a temporary and cosmetic function. Ductile iron is virtually impervious to surface oxidation from environmental influences (e.g. thawing salt). Superficial rust does not constitute a product defect. Of course, the resignation of surface coating is in accordance with all corresponding standards

This edition of the technical data sheet shall be valid from March 2022 until a revised version is published and replaces any previous publications. The respectively current version is available for download at www.mea-group.com.

MEA Bautechnik GmbH
 Business unit Water Management
 Sudetenstraße 1
 86551 Aichach
 Tel.: +49 (0) 82 51. 91 0
 Fax: +49 (0) 82 51. 91 13 06
 E-Mail: info@mea-group.com
www.mea-group.com