

MATERIAL CHARACTERISTICS

POLYMER CONCRETE	on a Polyester resin basis, with mineral fillers, additives
COMPRESSIVE STRENGTH	≥ 90 N/mm ²
BENDING STRENGTH	≥ 22 N/mm ²
ELASTICITY MODULE	25,000 – 35,000 N/mm ²
DENSITY	2,1 – 2,3 kg/dm ³
COEFFICIENT OF LINEAR EXPANSION	Approx. 1.45 x 10 ⁻⁵ 1/K
HEAT RESISTANCE	100°C continuous load, up to 200°C with a load duration up to 5 min.
FROST RESISTANCE	- 50 °C
WATER PENETRATION LEVEL	0 mm
WATER ABSORPTION	< 0,05% DIN 52 103 (A)
MATERIAL STRUCTURE	Capillary free

PURPOSE OF USE

Component for the line drainage of surfaces in order to collect, transport and discharge rainwater from adjacent fixed surfaces.

DESIGN

- / Length 500 and 1000 mm
- / Length 1000 mm including formed-in drain socket
- / Constructive height 465mm

EDGE PROTECTION

- / Cast iron GG KTL coated

ACCESSORIES

- / Sediment bucket top part
- / Sediment bucket intermediate part
- / Sediment bucket short bottom part with integrated drain socket Ø 160 mm
- / Sediment bucket short bottom part with integrated drain socket Ø 200 mm
- / Sediment bucket short lower part with moulding for drains Ø 160 and 200 mm, without DIBt approval
- / Sediment bucket deep lower part with moulding for drains Ø 160 and 200 mm, without DIBt approval
- / Sludge bucket short for sediment bucket upper part with sediment bucket lower part
- / Sludge bucket long for sediment bucket upper part with gully intermediate part and sediment bucket lower part
- / End cap closed

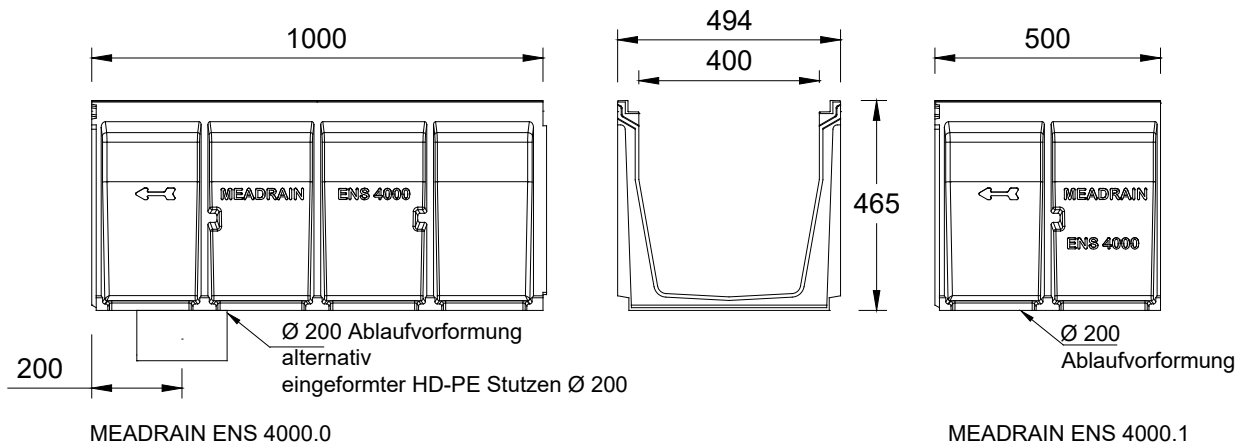
* As of class D 400, not suitable for diagonal or lateral cross-travel in the area of express roads and motorways

MEADRAIN ENS 4000

A 15, B 125, C 250, D 400*, E 600*, F 900* nominal width 400

**POLYMER CONCRETE DRAINAGE CHANNEL MEADRAIN ENS 4000 WITH AN INTEGRATED CAST IRON FRAME AND SEALING JOINT ACCORDING TO EN 1433
GENERAL BUILDING AUTHORITY APPROVAL Z-74.4-28**

Drainage channels made of polymer concrete. Clear width 400mm, constructive width 494mm. For the realization of water level slopes. Loading classes, A 15 to F 900* according to DIN EN 1433. Suitable for 4-way screwable drainage channel covers. Load capacity according to specification, when installed according to the MEA installation information.



**MEADRAIN ENS 4000 DRAINAGE CHANNEL BODY WITHOUT FALL,
LOADING CLASSES A 15 TO F 900** ACCORDING TO EN 1433**

Designation	Ord. No.	Length [mm]	Height [mm]	kg/unit
MEADRAIN ENS 4000.0 drainage channel body ⁶⁾	010152001	1000	465	72,25
MEADRAIN ENS 4000.0/A drainage channel body with tight formed-in flanged drain socket Ø 200 mm ¹⁰⁾	010152002	1000	465	68,00
MEADRAIN ENS 4000.1 drainage channel body ⁶⁾	010152003	500	465	35,00

** Not suitable for diagonal or transverse travel of motorways and highways.

6) Connection option for vertical drain Ø 200 mm (drainage deformation), end caps with connector or to gullies/silt boxes.

10) With tight formed-in flanged drain socket Ø 200mm.

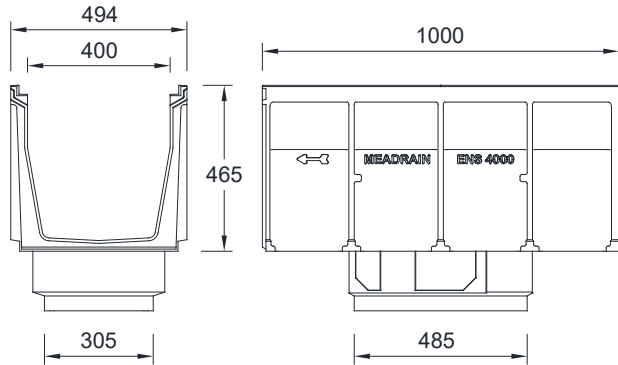
MEADRAIN ENS 4000

A 15, B 125, C 250, D 400*, E 600*, F 900*

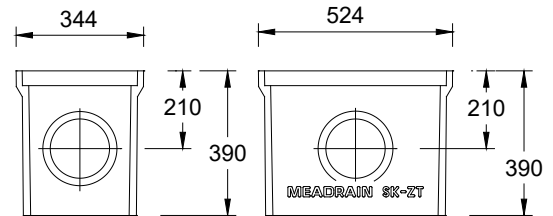
nominal width 400



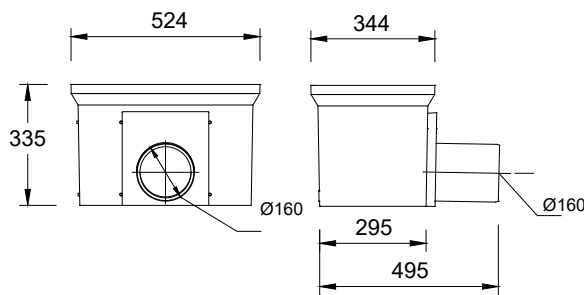
BUILDING SUCCESS



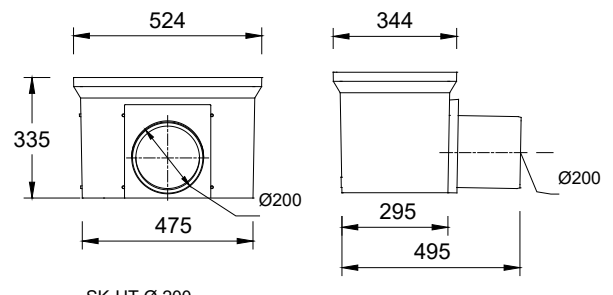
MEADRAIN ENS 4000 SK-OT



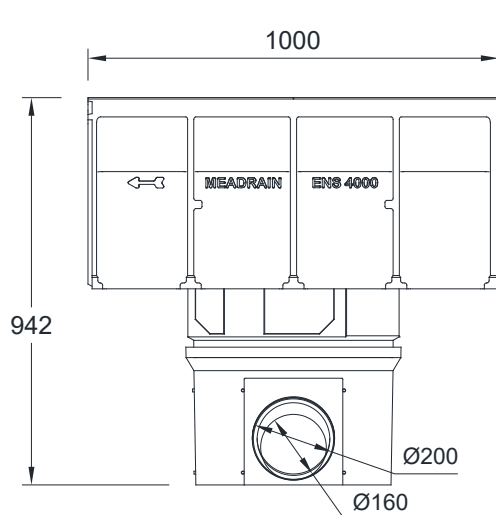
SK-ZT



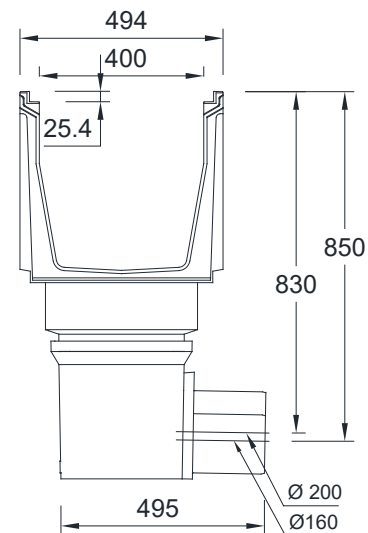
SK-UT Ø 160



SK-UT Ø 200



MEADRAIN ENS 4000 SK-OT+
SK-UT Ø160/200



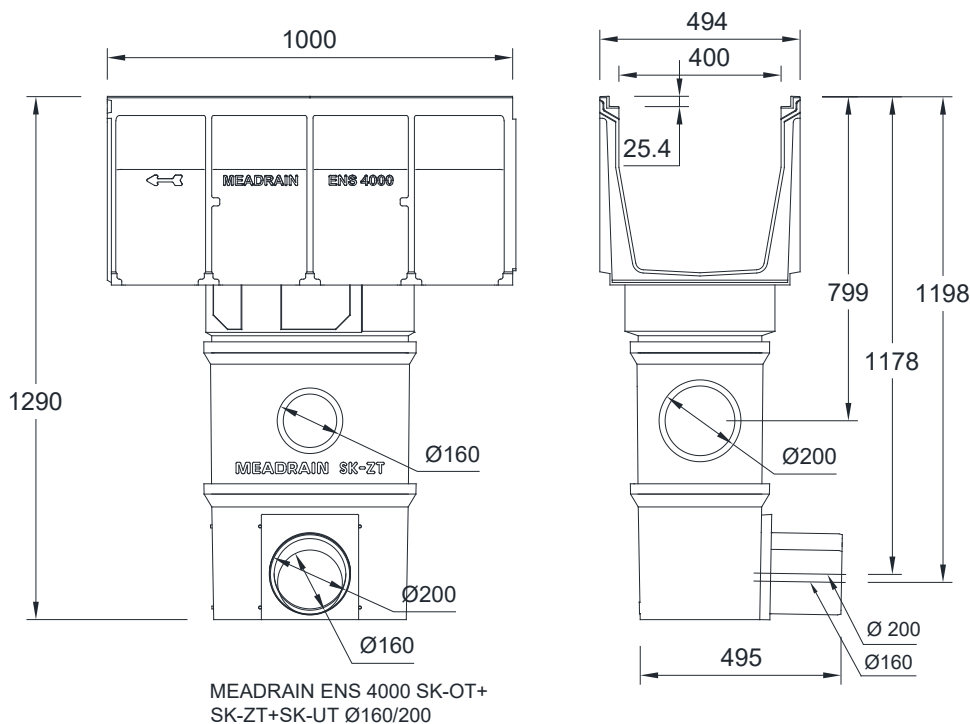
MEADRAIN ENS 4000

A 15, B 125, C 250, D 400*, E 600*, F 900*

nominal width 400



BUILDING SUCCESS



MEADRAIN ENS 4000 GULLIES**

Designation	Ord. No.	Length [mm]	Height [mm]	kg/unit
MEADRAIN ENS 4000.SK-OT gully upper part	010152009	1000	632	79,00
MEADRAIN SK-ZT gully intermediate part of polymer concrete for a height extension	010154709	524	390	22,00
MEADRAIN SK-UT short gully lower part, with integrated drain socket Ø 160 mm	010154726	524	350	25,16
MEADRAIN SK-UT short gully lower part, with integrated drain socket Ø 200 mm	010154728	524	350	27,00
MEA Gully plastic sediment bucket, short. For gully with gully upper and lower part.	010154714	-	-	1,90
MEA Gully plastic sediment bucket, long. For gully with gully upper, intermediate and lower part.	010154718	-	-	2,50

** Not suitable for diagonal or transverse travel of motorways and highways.

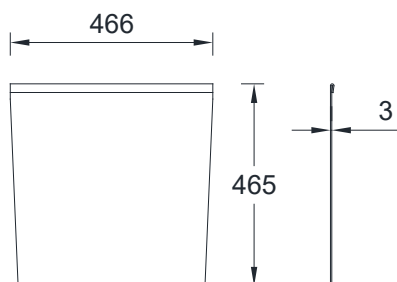
MEADRAIN ENS 4000

A 15, B 125, C 250, D 400*, E 600*, F 900*

nominal width 400



BUILDING SUCCESS



MEADRAIN ENS 4000 SE

MEADRAIN ENS 4000 END CAPS

Designation	Ord. No.	Material	kg/unit
MEADRAIN ENS 4000.SE End cap for channel start/end	010152005	Galv. steel	5,07

JOINTING COMPOUNDS FOR STANDARD APPLICATIONS ***

Designation	Ord. No.	Material	kg/unit
SABA MS Floor GREY sealant 600 ml in a bag, stable	010152708	MS Polymer basis	0,88
SABA Primer 9102 for undercoat, 1 liter	010155803	Silane basis	0,92
Joint Cleaner solvent 48, 1 liter, Cleaner for adhesive flanks	010155807	-	0,84
Dispensing gun for 600 ml bags	010152707	-	0,63

*** For watertight mounting of drainage channels (only for channels transporting rainwater). Not suitable for installation in LAU facilities, gas stations or similar constructions.

This edition of the technical data sheet shall be valid from September 2021 until a revised version is published and replaces any previous publications. The current version is available for download at www.mea-group.com.

MEA Bautechnik GmbH
 Business Unit MEA Water Management
 Sudetenstraße 1
 86551 Aichach
 Tel.: +49 (0) 82 51. 91 0
 Fax: +49 (0) 82 51. 91 13 06
 E-Mail: info@mea-group.com
www.mea-group.com