

**MATERIAL CHARACTERISTICS**

<b>POLYMER CONCRETE</b>	on a Polyester resin basis, with mineral fillers, additives
<b>COMPRESSIVE STRENGTH</b>	≥ 90 N/mm <sup>2</sup>
<b>BENDING STRENGTH</b>	≥ 22 N/mm <sup>2</sup>
<b>ELASTICITY MODULE</b>	25,000 – 35,000 N/mm <sup>2</sup>
<b>DENSITY</b>	2,1 – 2,3 kg/dm <sup>3</sup>
<b>COEFFICIENT OF LINEAR EXPANSION</b>	Approx. 1.45 x 10 <sup>-5</sup> 1/K
<b>HEAT RESISTANCE</b>	100°C continuous load, up to 200°C with a load duration up to 5 min.
<b>FROST RESISTANCE</b>	- 50 °C
<b>WATER PENETRATION LEVEL</b>	0 mm
<b>WATER ABSORPTION</b>	< 0,05% DIN 52 103 (A)
<b>MATERIAL STRUCTURE</b>	Capillary free

**PURPOSE OF USE**

Component for the line drainage of surfaces in order to collect, transport and discharge rainwater from adjacent fixed surfaces.

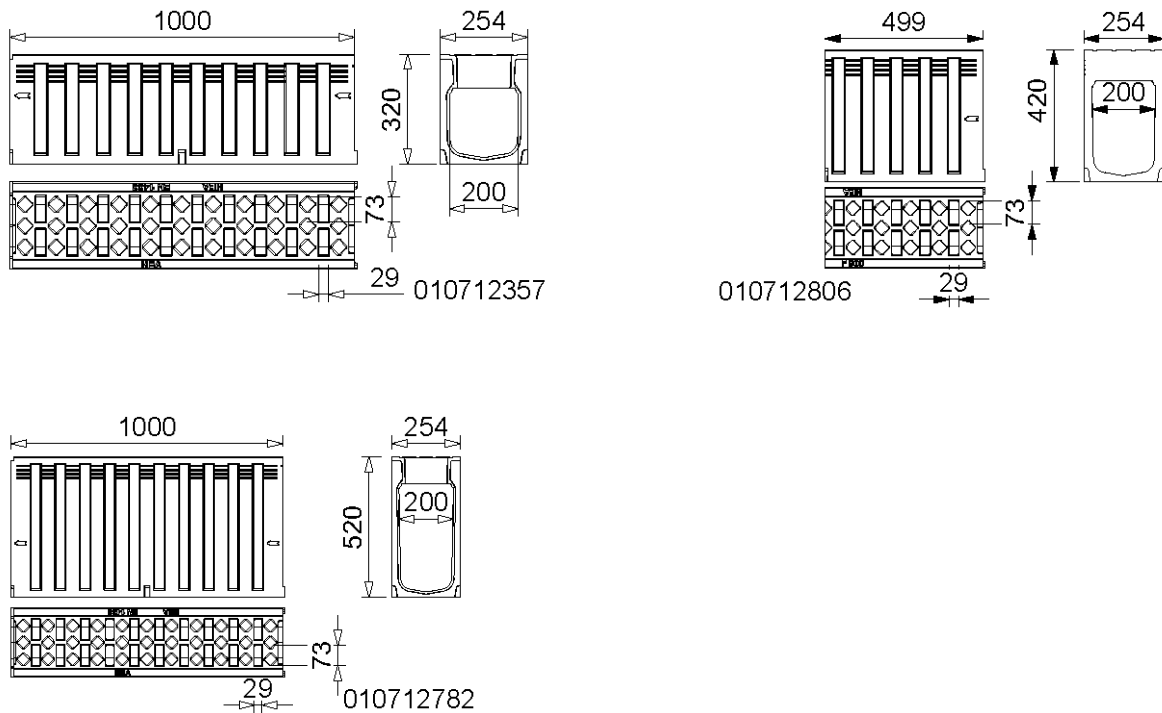
# MEADRAIN DM 2000

A 15, B 125, C 250, D 400, E 600, F 900

CW 200

## MEADRAIN DM 2000 POLYMER CONCRETE DRAINAGE CHANNEL MONOLITHIC CONSTRUCTION WITH SEALING JOINT ACCORDING TO EN 1433

Clear width of the channel body 200 mm, total width 254 mm. For the realisation of water level slopes. Loading classes A 15 to F 900 according to EN 1433. Load capacity according to specification, when installed according to the MEA installation instructions. Loading class D 400 also for the cross drainage of expressways and motorways. Drainage channel body DM 2000 DAL and DM 2000 DAR, loading class D 400, for the drainage of two-layer drainage asphalt.



## MEADRAIN DM 2000/2020/2040 DRAINAGE CHANNEL BODY WITHOUT FALL, LOADING CLASSES UP TO F 900

Description	Ord. No.	Length [mm]	Height [mm]	Inlet sect. area Ø cm <sup>2</sup> /m above	kg/unit
MEADRAIN DM 2000.0 Drainage channel body	010712357	1000	320	560	79,36
MEADRAIN DM 2000.0 Drainage channel body anthracite	010712361	1000	320	560	77,00
MEADRAIN DM 2000.1 Drainage channel body *)	010712359	500	320	560	38,71
MEADRAIN DM 2000.1 Drainage channel body anthracite	010712363	500	320	560	38,00
MEADRAIN DM 2020.0 Drainage channel body *)	010712804	1000	420	560	92,40
MEADRAIN DM 2020.1 Drainage channel body *)	010712806	500	420	560	45,00
MEADRAIN DM 2040.0 Drainage channel body *)	010712782	1000	520	560	103,10
MEADRAIN DM 2040.1 Drainage channel body *)	010712784	500	520	560	51,26

\*) Delivery time upon request

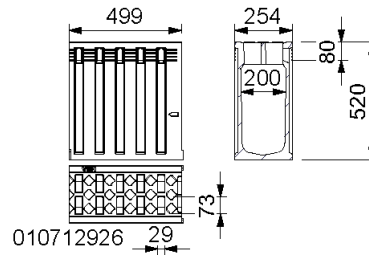
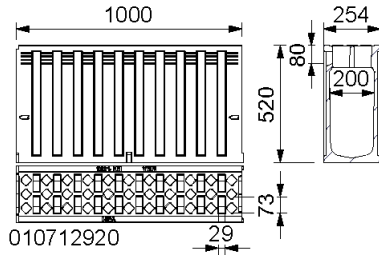
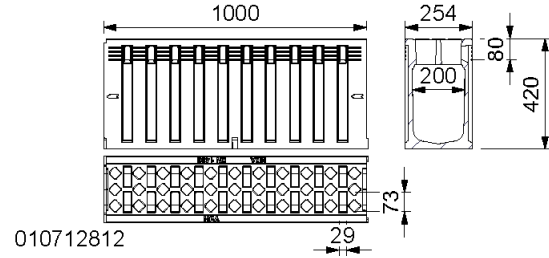
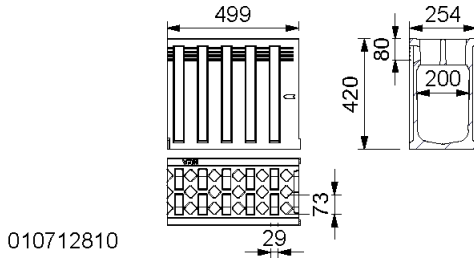
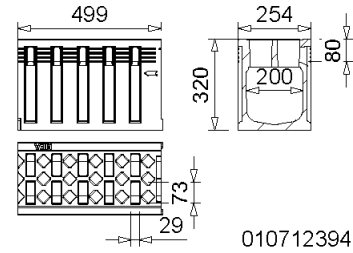
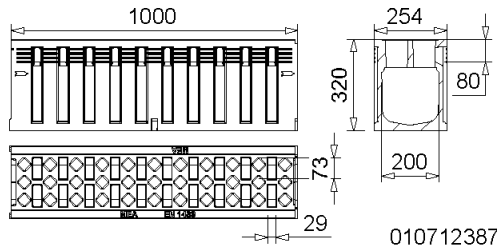
# MEADRAIN DM 2000

A 15, B 125, C 250, D 400, E 600, F 900

CW 200



BUILDING SUCCESS



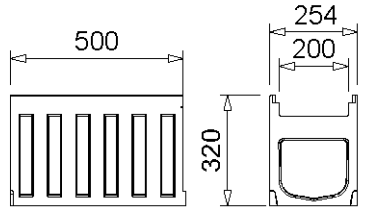
## MEADRAIN DM 2000/2020/2040 DAL II AND DAR II DRAINAGE CHANNEL BODY WITHOUT FALL, WITH LATERAL INLET SLOTS, LOADING CLASSES UP TO D 400

Description	Ord. No.	Length [mm]	Height [mm]	Inlet sect. area Ø cm <sup>2</sup> /m laterally	Inlet sect. area Ø cm <sup>2</sup> /m above	kg/unit
MEADRAIN DM 2000.0 DAL II Drainage channel body with lateral openings for 2-layer asphalt *)	010712387	1000	320	125	560	77,00
MEADRAIN DM 2000.1 DAR II Drainage channel body with lateral openings for 2-layer asphalt *)	010712388	500	320	125	560	38,00
MEADRAIN DM 2000.0 DAR II Drainage channel body with lateral openings for 2-layer asphalt *)	010712393	1000	320	125	560	77,00
MEADRAIN DM 2000.1 DAR II Drainage channel body with lateral openings for 2-layer asphalt *)	010712394	500	320	125	560	38,00
MEADRAIN DM 2020.0 DAL II Drainage channel body with lateral openings for 2-layer asphalt *)	010712808	1000	420	125	560	89,00
MEADRAIN DM 2020.1 DAL II Drainage channel body with lateral openings for 2-layer asphalt *)	010712810	500	420	125	560	44,50
MEADRAIN DM 2020.0 DAR II Drainage channel body with lateral openings for 2-layer asphalt *)	010712812	1000	420	125	560	89,00
MEADRAIN DM 2020.1 DAR II Drainage channel body with lateral openings for 2-layer asphalt *)	010712814	500	420	125	560	44,50
MEADRAIN DM 2040.0 DAL II Drainage channel body with lateral openings for 2-layer asphalt *)	010712920	1000	520	125	560	102,00
MEADRAIN DM 2040.1 DAL II Drainage channel body with lateral openings for 2-layer asphalt *)	010712922	500	520	125	560	51,00
MEADRAIN DM 2040.0 DAR II Drainage channel body with lateral openings for 2-layer asphalt *)	010712924	1000	520	125	560	102,00
MEADRAIN DM 2040.1 DAR II Drainage channel body with lateral openings for 2-layer asphalt *)	010712926	500	520	125	560	51,00

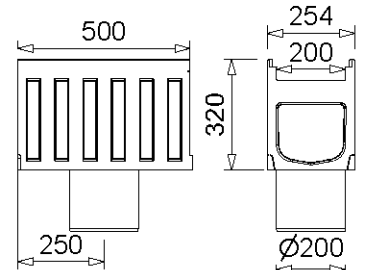
DAL II = side inlets in the line of sight upstream left for two-layered drainage asphalt.  
 DAR II = side inlets in the line of sight upstream right for two-layered drainage asphalt.

\*) Delivery time upon request

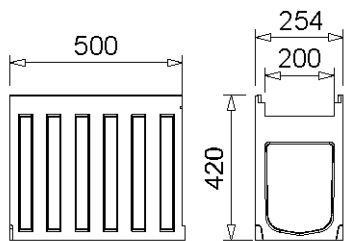
**MEADRAIN DM / DMD 2000 ACCESSORIES**



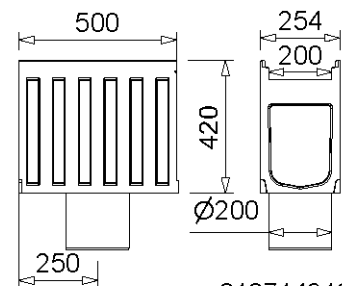
010712386



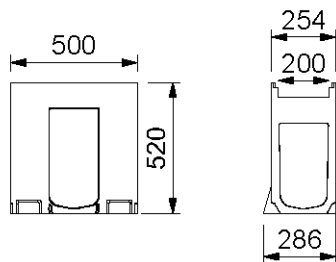
010714908



010712385



010714910



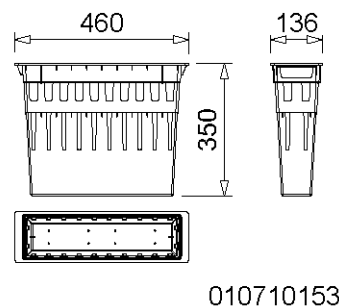
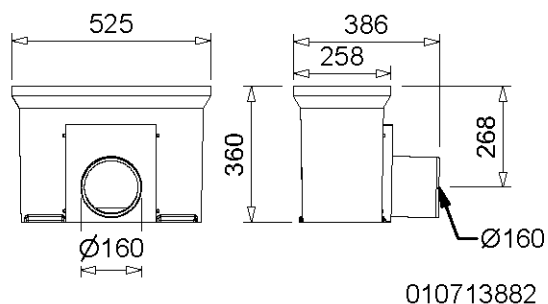
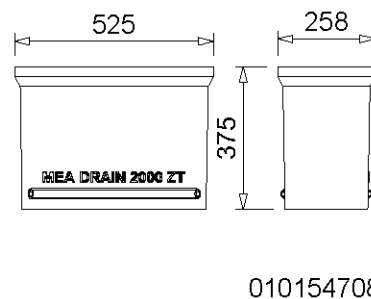
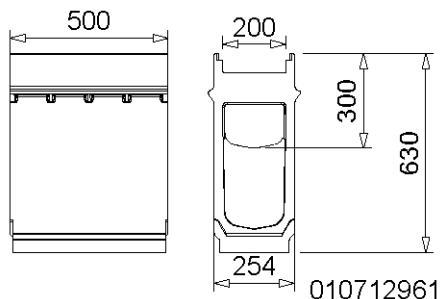
010712786

**MEADRAIN DM 2000/2020/2040 INSPECTION ELEMENTS**

Description	Ord. No.	Length [mm]	Height [mm]	kg/unit
MEADRAIN DM 2000.R Inspection element without cover 21)	010712386	500	-	24,67
MEADRAIN DM 2000 R/A Inspection element with connector HD-PE Ø 200 mm without cover 21)	010714908	500	-	26,00
MEADRAIN DM 2020.R Inspection element without cover 21)	010712385	500	-	30,59
MEADRAIN DM 2020.R/A Inspection element with connector HD-PE Ø 200 mm without cover 21)	010714910	500	-	34,19
MEADRAIN DM 2040.R Inspection element without cover 21) *)	010712786	500	520	36,00

\*) Delivery time upon request

21) Gully and revision element not suitable for use within in dynamically loaded ranges



## GULLIES FOR MEADRAIN DM 2000/2020/2040 AND MEADRAIN DMD 2000

Description	Ord. No.	Length [mm]	Height [mm]	kg/unit
MEADRAIN DM 2000.SK-OT Gully upper part without cover 21)	010712961	500	630	25,00
MEADRAIN DM 2020.SK-OT Gully upper part without cover 21)	010712962	500	630	36,00
MEADRAIN DM 2040.SK-OT Gully upper part without cover 21)	010712963	500	630	38,00
MEADRAIN 2000 SK-ZT Gully intermediate part made of polymer concrete for a height extension	010154708	525	375	25,20
MEADRAIN 2000 SK-UTKURZ/A short Gully lower part, with integrated drain outlet Ø 160 mm	010713882	525	360	23,69
MEADRAIN 2000 SK-UTKURZ/A short Gully lower part, with integrated drain outlet Ø 200 mm	010713883	525	360	23,70
MEA 150/200 sediment bucket made of plastic *)	010710153	-	-	3,10

\*) Delivery time upon request.

21) Gully and revision element not suitable for use within in dynamically loaded ranges.

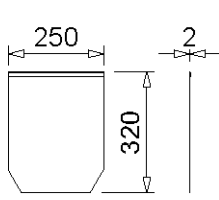
# MEADRAIN DM 2000

A 15, B 125, C 250, D 400, E 600, F 900

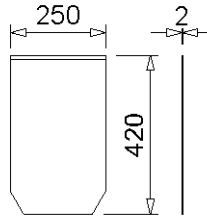
CW 200



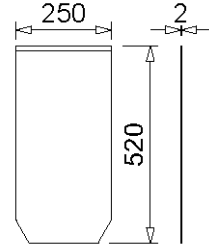
BUILDING SUCCESS



010712375



010712822



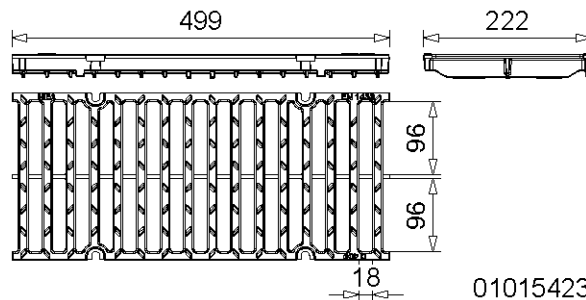
010712800

## END CAPS FOR MEADRAIN DM 2000/2020/2040 AND MEADRAIN DMD 2000

Description	Ord. No.	Material	Height [mm]	kg/unit
MEADRAIN DM 2000.SE End cap for channel start/end	010712375	Galv. steel	320	0,92
MEADRAIN DM 2020.SE End cap for channel start/end *)	010712822	Galv. steel	420	1,22
MEADRAIN DM 2040.SE End cap for channel start/end *)	010712800	Galv. steel	520	1,52

## COVERS FOR MEADRAIN DM/DMD 2000 GULLIES AND INSPECTION ELEMENTS

Suitable for the system **MEADRAIN DM 2000**. Loading classes A 15 to F 900 according to EN 1433.



010154236

## MEADRAIN DM/DMD 2000 COVERS FOR GULLY AND INSPECTION ELEMENT, LOADING CLASSES UP TO D 400, 4-FOLD BOLTED

Description	Ord. No.	Material	Inlet sect. area Ø cm <sup>2</sup> /m above	Length [mm]	kg/unit
MEA EN 200 Ductile iron slotted grating-D 400-0.5 m 18/96 bolt fixing required.**) ***) ****)	010154236	Ductile iron	962	500	7,27

\*) Delivery time upon request

\*\*) Not suitable for the diagonal or transverse travel of motorways and highways.

\*\*\*\*) The surface coating of ductile iron parts only has a temporary and cosmetic function. Ductile iron is virtually impervious to surface oxidation from environmental influences (e.g. thawing salt). Superficial rust does not constitute a product defect. Of course, the resignation of surface coating is in accordance with all corresponding standards.

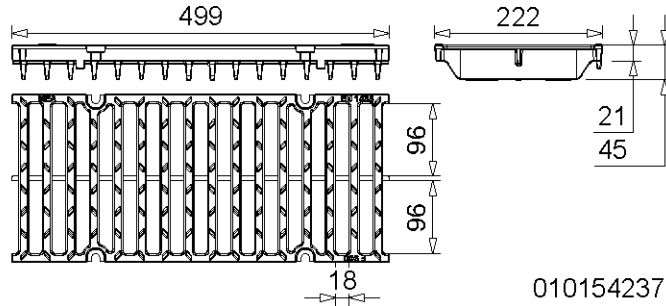
# MEADRAIN DM 2000

A 15, B 125, C 250, D 400, E 600, F 900

CW 200



BUILDING SUCCESS



## MEADRAIN DM/DMD 2000 COVER FOR INSPECTION ELEMENT AND GULLY, LOADING CLASSES UP TO F 900, 4-FOLD BOLTED

Description	Ord. No.	Material	Inlet sect. area Ø cm <sup>2</sup> /m above	Length [mm]	kg/unit
MEA EN 200 Ductile iron slotted grating-F 900-0.5 m 17/94 (bolt fixing required *) **) ****)	010154237	Ductile iron	960	500	11,20

## GRATING FIXING MECHANISM

Description	Ord. No.	Material	kg/unit
MEADRAIN EN Galv. steel grating locking mechanism for all grating widths, 4 pieces/grating with 20NM torque will be needed	010153096	Galv. steel	0,02
MEADRAIN EN Stainl. steel grating locking mechanism for all grating widths, 4 pieces/grating with 20NM torque will be needed *)	010153098	Stainl. steel	0,02

\*) Delivery time upon request

\*\*) Not suitable for the diagonal or transverse travel of motorways and highways.

\*\*\*\*) The surface coating of ductile iron parts only has a temporary and cosmetic function. Ductile iron is virtually impervious to surface oxidation from environmental influences (e.g. thawing salt). Superficial rust does not constitute a product defect. Of course, the resignation of surface coating is in accordance with all corresponding standards.

This edition of the technical data sheet shall be valid from April 2024 until a revised version is published and replaces any previous publications. The respectively current version is available for download at [www.mea-group.com](http://www.mea-group.com).

MEA Bautechnik GmbH  
 Business unit MEA Water Management  
 Sudetenstraße 1  
 86551 Aichach  
 Tel.: +49 (0) 82 51. 91 0  
 Fax: +49 (0) 82 51. 91 13 06  
 E-Mail: [info@mea-group.com](mailto:info@mea-group.com)  
[www.mea-group.com](http://www.mea-group.com)