

MATERIAL CHARACTERISTICS

Drainage channel body and component body	
POLYMER CONCRETE	on a Polyester resin basis, with mineral fillers, additives
COMPRESSIVE STRENGTH	≥ 90 N/mm ²
BENDING STRENGTH	≥ 22 N/mm ²
ELASTICITY MODULE	25,000 – 35,000 N/mm ²
DENSITY	2,1 – 2,3 kg/dm ³
COEFFICIENT OF LINEAR EXPANSION	Approx. 1.45 x 10 ⁻⁵ 1/K
HEAT RESISTANCE	100°C continuous load, short-term (5min) up to 200°C
FROST RESISTANCE	- 50 °C
WATER PENETRATION LEVEL	0 mm
WATER ABSORPTION	< 0,05% DIN 52 103 (A)
MATERIAL STRUCTURE	Capillary free
EDGE PROTECTION	Cast iron GG KTL coated
DRAINAGE CHANNEL COVER	Cast iron GGG

** Not suitable for the diagonal or transverse travel of motorways and highways.

MEADRAIN EN 3000

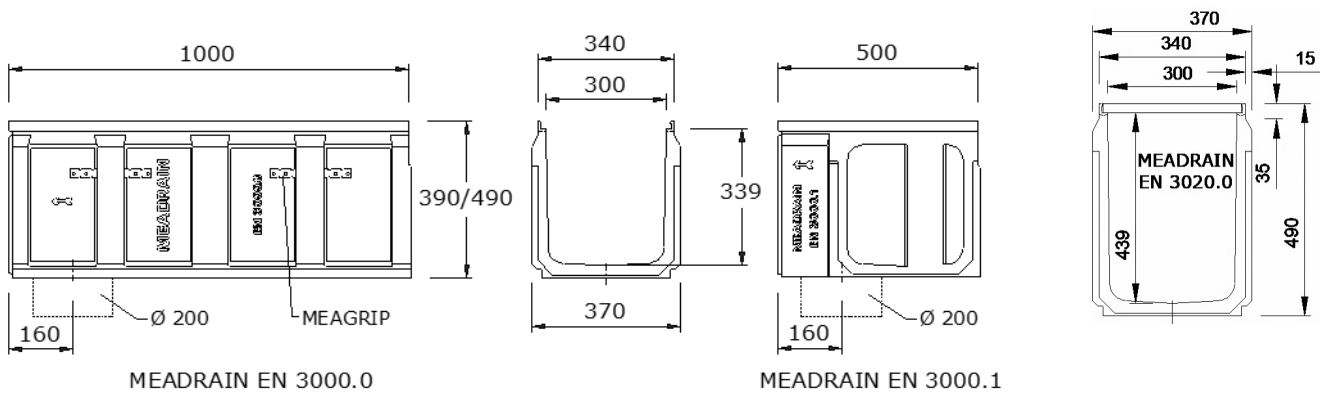
A 15, B 125, C 250, D 400, E 600**, F 900**

nominal width 300

MEADRAIN EN 3000 POLYMER CONCRETE DRAINAGE CHANNEL BODY WITH AN INTEGRATED CAST IRON FRAME

GENERAL BUILDING AUTHORITY APPROVAL Z - 74 .4 - 28

Clear width of the drainage channel body 300 mm, width 370 mm. Suitable for the drainage channel covers **MEA EN 300 PROFIX** and **MEA EN 300 4-fold bolted**. For the realization of water level slopes. Loading classes, A 15 to F 900** according to EN 1433. Load capacity according to specification, when installed according to the MEA installation information.



MEADRAIN EN 3000 DRAINAGE CHANNEL BODY WITHOUT FALL, LOADING CLASS F 900** ACCORDING TO EN 1433

Designation	Ord. No.	Height [mm]	Length [mm]	kg/unit
MEADRAIN EN 3000.0 Drainage channel body 1 m	010153571	390	1000	59,94
MEADRAIN EN 3000.1 Drainage channel body 0,5 m	010153573	390	500	25,93
MEADRAIN EN 3000.1 RWA Drainage channel body 0,5 m	010153575	390	500	27,80
MEADRAIN EN 3020.0 Drainage channel body 1 m	010153591	490	1000	70,00
MEADRAIN EN 3020.1 Drainage channel body 0,5 m	010153593	490	500	30,52

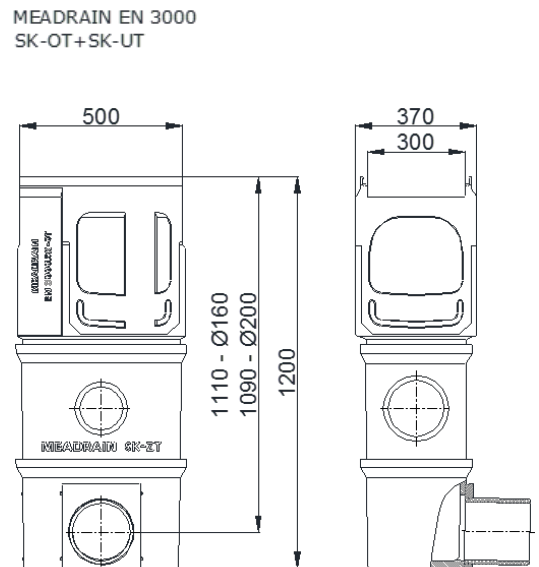
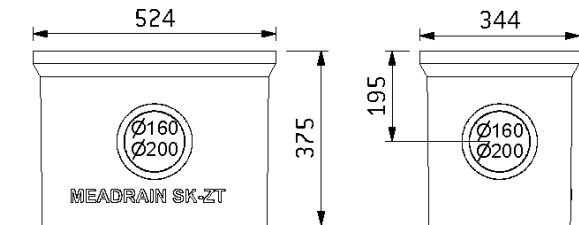
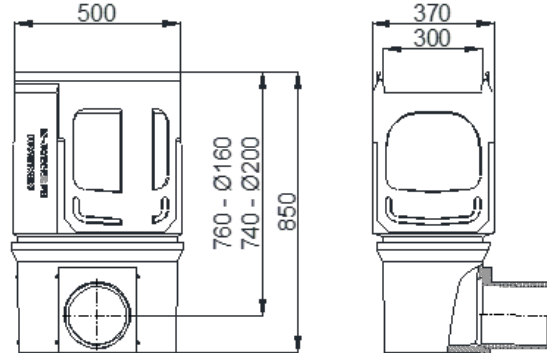
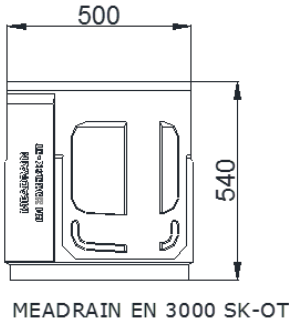
MEADRAIN EN 3000 COMPLETE CHANNEL, LOADING CLASS D 400** ACCORDING EN 1433

Designation	Ord. No.	Height [mm]	Length [mm]	kg/unit
MEADRAIN EN 3000.0 complete channel with ductile iron slotted grating-D 400-bolt fixing required	010712728	390	1000	94,16

** Not suitable for the diagonal or transverse travel of motorways and highways.

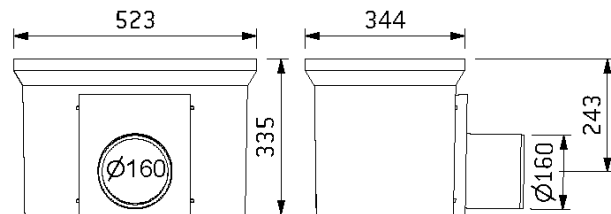
EN 3000 ACCESSORIES

GENERAL BUILDING AUTHORITY APPROVAL Z - 74 .4 - 28



010154709

MEADRAIN EN 3000 SK-OT+SK-UT



MEADRAIN EN 3000 SK-OT+SK-ZT+SK-UT

010154726

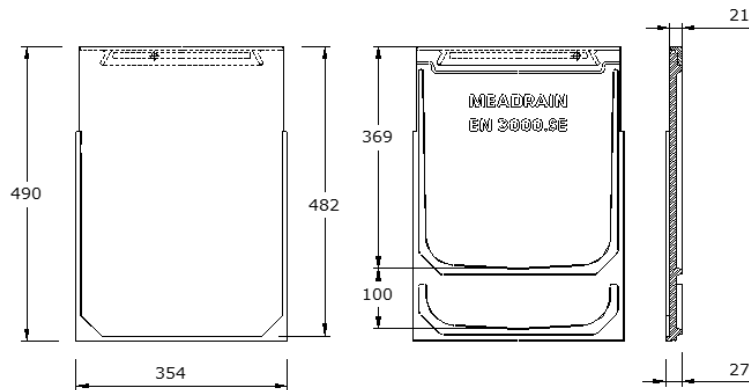
MEADRAIN EN 3000 GULLIES**

Designation	Ord. No.	Height [mm]	Length [mm]	kg/unit
MEADRAIN EN 3000 / EN 3020 SK-OT Gully upper part	010153577	540	500	38,50
MEADRAIN EN 3000 SK-ZT intermediate part made of polymer concrete for a height extension	010154709	375	524	22,00
MEADRAIN EN 3000 SK-UT short Gully lower part, with integrated drain socket Ø 160 mm	010154726	335	524	25,16
MEADRAIN EN 3000 SK-UT short Gully lower part, with integrated drain socket Ø 200 mm	010154728	335	524	25.70
MEADRAIN 2000 Sediment bucket for gully	010154717	-	-	3,89

** Not suitable for the diagonal or transverse travel of motorways and highways.

EN 3000 ACCESSORIES

GENERAL BUILDING AUTHORITY APPROVAL Z - 74 .4 - 28



MEADRAIN EN 3000 END CAPS

Designation	Ord. No.	Material	kg/unit
MEADRAIN EN 3000 / EN 3020.SE End cap for channel start/end	010153579	Polymer concrete	5,40
MEADRAIN EN 3000.E End cap with HD-PE connector Ø 200 mm for channel end	010153581	Polymer concrete	5,30
MEADRAIN EN 3000 RWH for changing the direction of flow – strand peak	010153583	Polymer concrete	5,40

JOINTING COMPOUNDS FOR STANDARD APPLICATION***

Designation	Ord. No.	Material	kg/unit
SABA MS Floor GREY sealant 600 ml in a bag, stable	010152708	MS Polymer basis	0,88
SABA Primer 9102 for undercoat, 1 litre	010155803	Silane basis	0,92
Joint Cleaner solvent 48, 1 litre, Cleaner for adhesive flanks	010155807	-	0,84
Dispensing gun for 600 ml bags	010152707	-	0,63

** Not suitable for the diagonal or transverse travel of motorways and highways.

*** For watertight mounting of drainage channels (only for channels transporting rainwater). Not suitable for installation in LAU facilities, gas stations or similar constructions.

This edition of the technical data sheet shall be valid from September 2021 until a revised version is published and replaces any previous publications. The respectively current version is available for download at www.mea-group.com.

MEA Bautechnik GmbH
 Business Unit MEA Water Management
 Sudetenstraße 1
 86551 Aichach
 Tel.: +49 (0) 82 51. 91 0
 Fax: +49 (0) 82 51. 91 13 06
 E-Mail: info@mea-group.com
www.mea-group.com