

TECHNICAL FEATURES

TOPSLOT

CHANNEL BODY

SMC (sheet moulded compound) polyester components
Glass-fibre-reinforced, with mineral fillers, additives

TENSILE STRENGTH:	65 N/mm2 (ISO527)
BENDING STRENGTH:	120 N/mm2 (ISO14125)
ELASTICITY MODULE:	10,000 N/mm2 (ISO14125)
LINEAR EXPANSION COEFFICIENT	1.5 - 2.0 x 10 ⁻⁵ /K
HEAT RESISTANCE	100°C permanent exposure, short-term exposure (5 min.) to 200 C
FROSTRESISTANCE	- 35°C
WATER ABSORPTION	0,078 % (EN ISO 62:2008-05 Procedure 1)
MATERIAL STRUCTURE	capillary free

SLOT ATTACHMENT

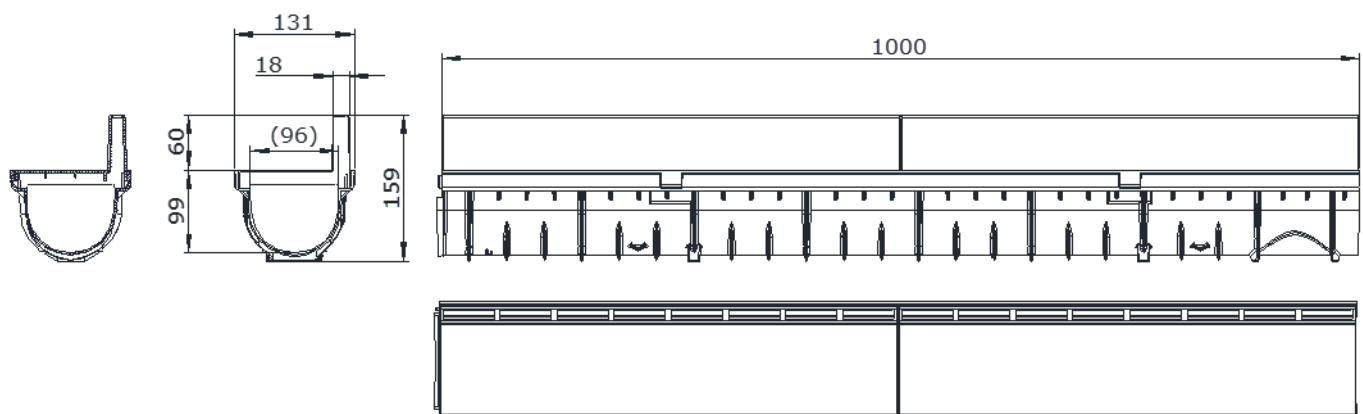
Polypropylen

Height of the slot 60 mm - width of the slot 18 mm

Meets the requirements of the "PMR" standards for people with mobility impairments

MEAHOME PLUS, BLACK WITH TSC SLOT ATTACHMENT

CHANNEL WITH REBATE MADE OF FIBREGLASS COMPOSITE AND SLOT ATTACHMENT MADE OF POLYPROPYLENE PURSUANT TO THE STANDARD EN 1433



MEAHOME Plus, black with TSC slot attachment

A 15

Width 100

BUILDING SUCCESS

MEAHOME PLUS, BLACK WITH TSC SLOT ATTACHMENT

CHANNEL WITH REBATE MADE OF FIBREGLASS COMPOSITE AND SLOT ATTACHMENT MADE OF POLYPROPYLENE PURSUANT TO THE STANDARD EN 1433

Complete channel with TSC slot attachment, no slope, with fibreglass composite housing, with rebate.

TSC 100 slot attachment made of polypropylene, height of the slot 60 mm, width of the slot 18 mm, pursuant to "PMR" requirements

Usable width 96 mm, total width 131 mm, strength class A15 pursuant to EN 1433. Observe the installation instructions of the MEA.

MEAHOME Plus, black with TSC 100 slot attachment - complete channel with rebate - without slope - with slot attachment made of PP

Material group	item	Length in mm	Constructive height in mm	Order No. 010...	EAN Code 4001990...	kg per item	Units/pallet PKU
DY	Channel MEAHOME PLUS, black with TSC 100 slot attachment complete with rebate and slot attachment made of PP Loading Class A15 - 1 m ¹⁾	1000	159	141671	875803	2,10	20

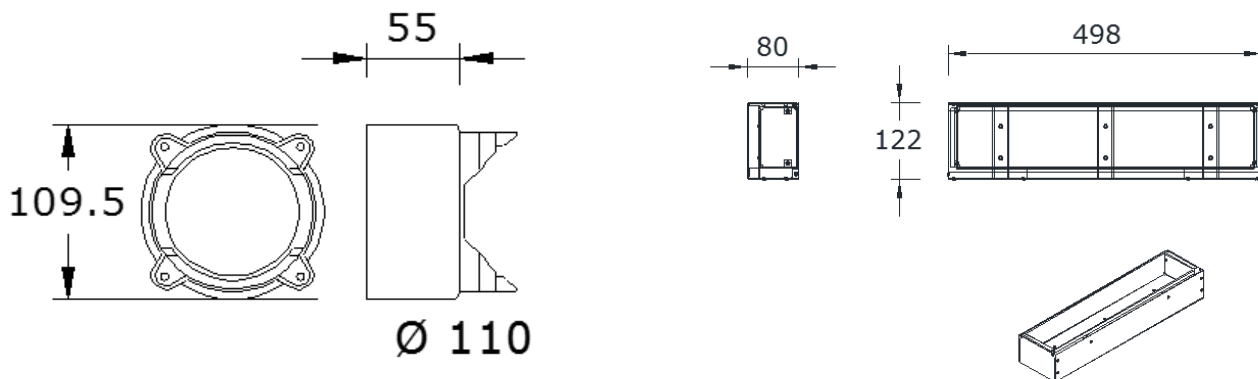
1) Premium for vertical discharge Ø 100 mm

ACCESSORIES FOR MEAHOME PLUS, BLACK WITH TSC 100 SLOT ATTACHMENT

Front panels and discharge connections

Material group	Designation	material	Order No. 010...	EAN Code 4001990...	kg per item	Item/pallet PKU
DY	Connection to vertical discharge Ø 110 mm	PP	141695	038222	0,08	1
DY	Inspection room TSC 100.R	Galvanised steel	152859	875643	7,80	1

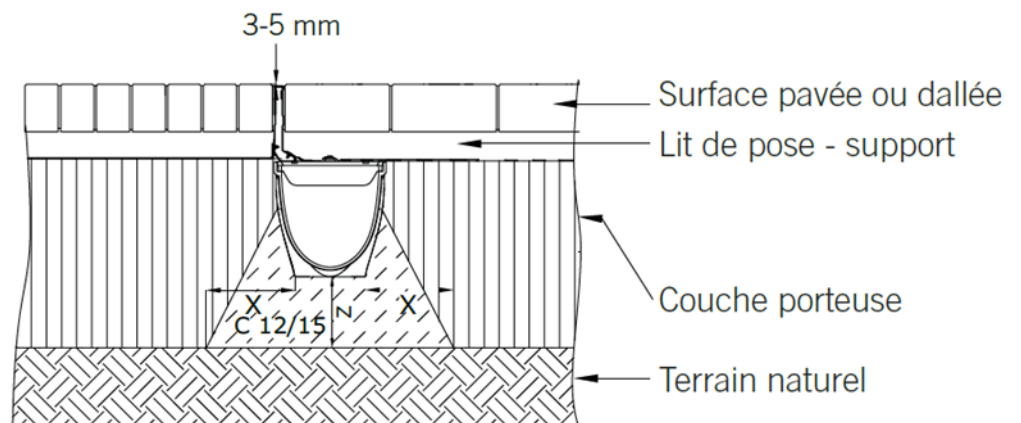
ACCESSORIES FOR MEAHOME PLUS, BLACK WITH TSC 100 SLOT ATTACHMENT



Connection to discharge Ø 110 mm

Visitor's room TSC 100.R

**MEAHOME PLUS, BLACK WITH TSC SLOT ATTACHMENT
CHANNEL WITH REBATE MADE OF FIBREGLASS COMPOSITE AND SLOT ATTACHMENT MADE OF
POLYPROPYLENE PURSUANT TO THE STANDARD EN 1433**



MEA Bautechnik GmbH
 Business Unit MEA Water Management
 Sudetenstraße 1
 86551 Aichach
 Tel.: +49 (0) 82 51. 91 0
 Fax: +49 (0) 82 51. 91 13 06
 E-Mail: info@mea-group.com
www.mea-group.com