

**PURPOSE OF USE**

Cover for a channel body of a drainage system with a slot-shaped water inlet, for use in areas where a slot drainage is required for aesthetic reasons. In-feed cross-section 96 cm<sup>2</sup>/m.

**DESIGNS**

## Material

- / Die-cast grating with quick connector for topslots made of galvanised steel
- / Die-cast grating with quick connector for topslots made of stainless steel

## Dimensions

- / Length 1000 mm
- / Length 500 mm
- / Neck height 160 mm

**ACCESSORIES**

- / Revision attachment
- / End cap for slot attachment element
- / Construction cover 0.5 m and 1 m
- / Quick connector for grating
- / Cover caps for revision attachment thread
- / Assembly tool

\*\* Not suitable for the diagonal or transverse travel of motorways and highways.

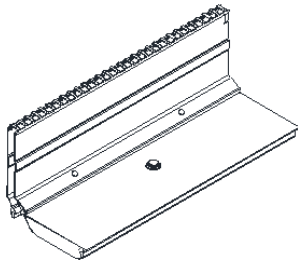
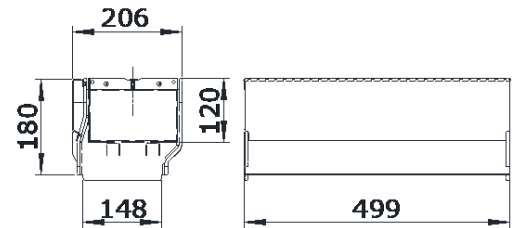
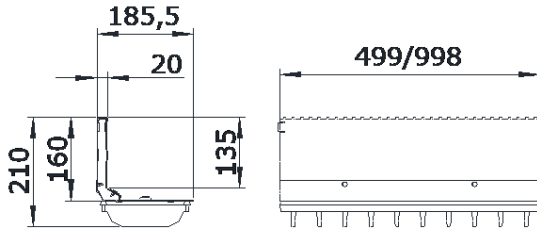
# MEA TSH 150 TOPSLOT

A 15, B 125, C 250, D 400\*\*, E 600\*\*

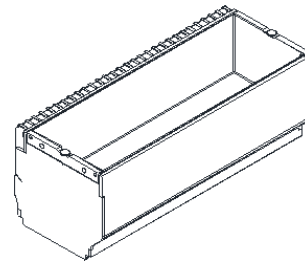
CW 150

## MEA TSH 150 TOPSLOT

MEA TSH 150 TOPSLOT suitable for channel systems **MEARIN PLUS/EXPERT 150, MEARIN PLUS F 150, MEAFLUID 150, MEADRAIN EN 1500, MEADRAIN SV/SE/SG 1500** and **MEADRAIN SVF/SEF 1500**. Covers all ranges of applications. Loading classes, A 15 to E 600\*\* according to EN 1433. Load capacity according to specification, when installed according to the MEA installation instructions.



012152889 /  
012152893



012152895 /  
012152897

### MEA TSH 150 TOPSLOT LATERAL, GALVANISED STEEL, NECK HEIGHT 160 MM, LOADING CLASS E 600\*\* ACCORDING TO EN 1433

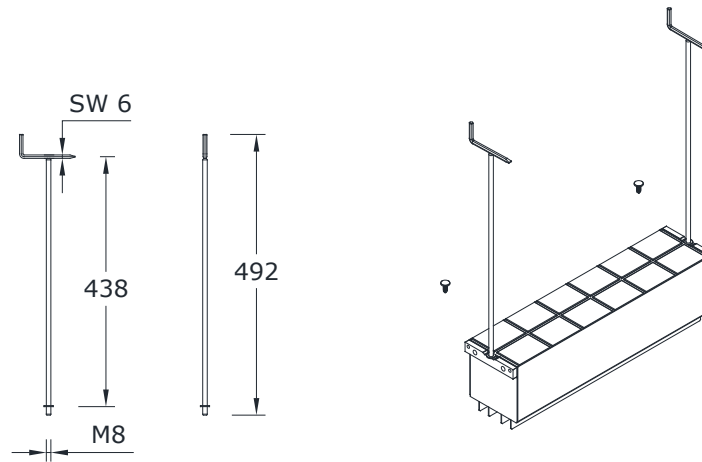
Designation	Ord.No.	Material	Length [mm]	Inlet sect. area Ø cm <sup>2</sup> /m above	kg/unit
MEA TSH 150.0 / 160 TOPSLOT-E 600-Galv.-1 m-lateral incl. 2 ductile iron grates	012152887	Galv. steel	1000	96	17,60
MEA TSH 150.1 / 160 TOPSLOT-E 600-Galv.-0,5 m-lateral incl. ductile iron grating	012152889	Galv. steel	500	96	8,80
MEA TSH 150.R / 160 Inspection element upper part-E 600-Galv.-0,5 m-lateral	012152895	Galv. steel	500	96	15,00
MEA TSH 150.R / 160 Inspection element upper part-E 600-Galv.-0,5 m	012152899	Galv. steel	500	-	19,20
MEA TSH End cap made of galvanised steel	012159030	Galv. steel	-	-	0,03

### MEA TSH 150 TOPSLOT LATERAL, STAINLESS STEEL, NECK HEIGHT 160 MM, LOADING CLASS E 600\*\* ACCORDING TO EN 1433

Designation	Ord.No.	Material	Length [mm]	Inlet sect. area Ø cm <sup>2</sup> /m above	kg/unit
MEA TSH 150.0 / 160 TOPSLOT-E 600-Stainl.steel-1 m-lateral incl. 2 Ductile Iron grates	012152891	Stainl. steel	1000	96	17,60
MEA TSH 150.1 / 160 TOPSLOT-E 600-Stainl.steel-0,5 m-lateral incl. Ductile Iron grating	012152893	Stainl. steel	500	96	8,80
MEA TSH 150.R / 160 Inspection element upper part-E 600-Stainl.steel-0,5 m-lateral	012152897	Stainl. steel	500	96	15,00
MEA TSH 150.R / 160 Inspection element upper part-E 600-Stainl.steel-0,5 m	012152896	Stainl. steel	500	96	19,20
MEA TSH End cap made of stainless steel	012159031	Stainl. steel	-	-	0,03

\*\* Not suitable for the diagonal or transverse travel of motorways and highways.

## MEA TSH 150 TOPSLOT ACCESSORIES



010152858

## MEA TSH 150 ACCESSORIES

Designation	Ord.No	Material	kg/unit
MEA TSH Construction cover-S, 1 m for TOPSLOT	010159893	Galv. steel	0,29
MEA TSH Construction cover-R, 0,5 m for revision attachment	010159895	Galv. steel	0,16
MEA TSH plastic caps for Inspection element upper part-thread for replacement delivery	010152866	PP	0,01
MEA TSH quick connector for grating for replacement delivery	010152900	PP	0,01
MEA TSH assembly tool - 2 items necessary	010152858	Galv. steel	0,19

\*\* Not suitable for the diagonal or transverse travel of motorways and highways.

# MEA TSH 150 TOPSLOT

A 15, B 125, C 250, D 400\*\*, E 600\*\*

CW 150



BUILDING SUCCESS

## MEA 150 CHANNEL COVER FOR MEA TSH 150 INSPECTION ELEMENT UPPER PART

With bolted cover. Exclusively for MEA TSH 150 inspection element upper part (article numbers 012152899 and 012152896). Total width of the grating 173 mm

## LOADING CLASS D 400\*\* ACCORDING TO EN 1433, 4-FOLD BOLTED FOR MEA TSH 150 INSPECTION ELEMENT UPPER PART

Description	Order-No.	Material	Inlet sect. area Ø cm <sup>2</sup> /m above	Length [mm]	kg/unit
MEA 150 Ductile iron slotted grating-D 400-0,5 m 12/150 bolt fixing required	010151173	Ductile iron	630	500	6,20

## MEA TSH 150 TOPSLOT, GRATING FIXATION

Description	Order No.	Material	kg/unit
MEA TSH 150/200 Grating locking bolt with washer for inspection element, 4 pieces/grating will be needed	010153104	Stainl. steel	0,02

\*\* Not suitable for the diagonal or transverse travel of motorways and highways.

The surface coating of ductile iron parts only has a temporary and cosmetic function. Ductile iron is virtually impervious to surface oxidation from environmental influences (e.g. thawing salt). Superficial rust does not constitute a product defect. Of course, the resignation of surface coating is in accordance with all corresponding standards

This edition of the technical data sheet shall be valid from March 2021 until a revised version is published and replaces any previous publications. The current version is available for download at [www.mea-group.com](http://www.mea-group.com).

MEA Bautechnik GmbH  
 Business Unit MEA Water Management  
 Sudetenstraße 1  
 86551 Aichach  
 Tel.: +49 (0) 82 51. 91 0  
 Fax: +49 (0) 82 51. 91 13 06  
 E-Mail: [info@mea-group.com](mailto:info@mea-group.com)  
[www.mea-group.com](http://www.mea-group.com)