

**MATERIAL CHARACTERISTICS**

<b>POLYMER CONCRETE</b>	on a Polyester resin basis, with mineral fillers, additives
<b>COMPRESSIVE STRENGTH</b>	≥ 90 N/mm <sup>2</sup>
<b>BENDING STRENGTH</b>	≥ 22 N/mm <sup>2</sup>
<b>ELASTICITY MODULE</b>	25.000 – 35.000 N/mm <sup>2</sup>
<b>DENSITY</b>	2,1 – 2,3 kg/dm <sup>3</sup>
<b>COEFFICIENT OF LINEAR EXPANSION</b>	Ca. 1,45 x 10 <sup>-5</sup> 1/K
<b>HEAT RESISTANCE</b>	100°C continuous load, up to 200°C with a load duration up to 5 min.
<b>FROST RESISTANCE</b>	- 50°C
<b>WATER PENETRATION LEVEL</b>	0 mm
<b>WATER ABSORPTION</b>	< 0,05%
<b>MATERIAL STRUCTURE</b>	Capillary free

**PURPOSE OF USE**

Component for the point drainage of surfaces in order to collect, transport and discharge rainwater from adjacent fixed surfaces.

**DESIGNS**

- / With ductile iron grating (B 125)
- / With galvanized mesh grating 20/30 (B 125)
- / With galvanized mesh grating 30/30 (A 15)

**ACCESSORIES**

- / compensation element
- / height adjustment element  
with moulded inserts Ø 110 mm
- / sediment bucket made of plastic
- / odour trap

**EDGE PROTECTION**

- / Ductile iron
- / Covering galvanized grating

**DRAIN PERFORMANCE (TEST: TU-MUNICH)**

- / Upper connection with bucket and roadable foul air trap: 4,5 l/s
- / Upper connection with bucket, without roadable foul air trap: 6,0 l/s
- / Upper connection without bucket and roadable foul air trap: 7,7 l/s
- / Bottom connection with bucket, without roadable foul air trap: 6,0 l/s
- / Bottom connection without bucket and roadable foul air trap: 14,5 l/s

# MEAGARD Courtyard Gully

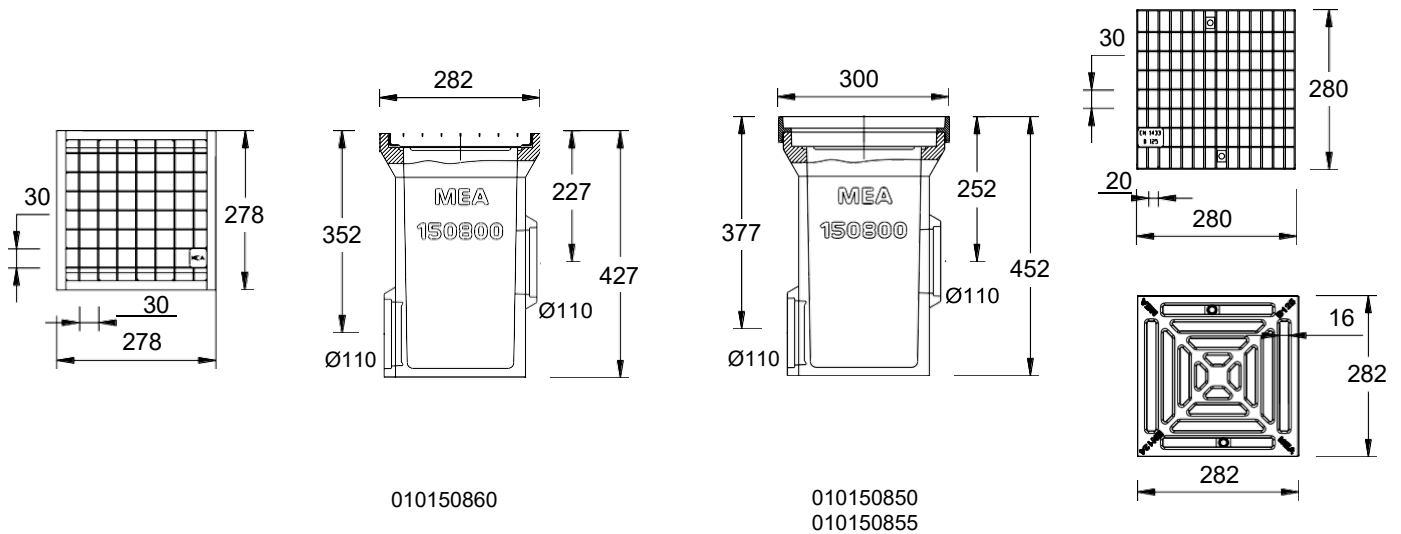
A 15, B 125



BUILDING SUCCESS

## MEAGARD POLYMER CONCRETE COURTYARD GULLY

Courtyard gully made of polymer concrete with sediment bucket, odour trap and connector Ø 110 mm. Optionally with ductile iron grating (B 125), galvanized mesh grating 20/30 (B 125) and overlaying galvanized mesh grating 30/20 (passable passenger cars). Loading classes A 15 to B 125 (gratings according to EN 124), including ductile iron stacking frame.



## COURTYARD COMPLETE GULLY WITH DUCTILE IRON GRATING GGG, LOADING CLASS B 125 ACCORDING TO EN 124

Description	Order No.	Length [mm]	Width [mm]	Constructive height [mm]	kg/unit
MEAGARD complete yard gully with ductile iron grating-B 125	010150850	300	300	452	32,40

## COURTYARD COMPLETE GULLY WITH GALVANISED MESH GRATING, LOADING CLASS B 125 ACCORDING TO EN 124

Description	Order No.	Length [mm]	Width [mm]	Constructive height [mm]	kg/unit
MEAGARD complete yard gully with Galv. 20/30 mesh grating-B 125	010150855	300	300	452	30,40

## COURTYARD COMPLETE GULLY COMPLETE WITH COVERING GALVANISED MESH GRATING, PASSENGER VEHICLE ACCESSIBLE

Description	Order No.	Length [mm]	Width [mm]	Constructive height [mm]	kg/unit
MEAGARD complete yard gully with Galv. 30/20 mesh grating, Passable passenger cars <sup>22)</sup>	010150860	282	282	452	23,10

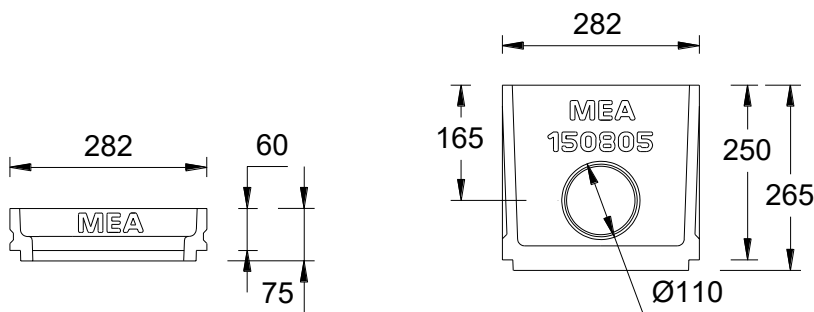
\*\*\*\* The surface coating of ductile iron parts only has a temporary and cosmetic function. Ductile iron is virtually impervious to surface oxidation from environmental influences (e.g. thawing salt). Superficial rust does not constitute a product defect. Of course, the resignation of surface coating is in accordance with all corresponding standards

22) Grating/grates loading class A 15 according to DIN EN 1433

## MEAGARD COURTYARD GULLY ACCESSORIES

### LOCKING BOLT FOR MEAGARD

Description	Order No.	Material	kg/unit
MEAGARD Gully locking mechanism for ductile iron and mesh gratings, B 125, Stainl. steel 2 screws per grating. Grating fixing mechanism only in gully lower part possible!	010153196	Stainl. steel	0,03



010150810

010150805

### MEAGARD COURTYARD GULLY COMPENSATION ELEMENT

Description	Order No.	Length [mm]	Width [mm]	Constructive height [mm]	kg/unit
MEAGARD yard gully compensation element for height adjustment, H= 60 mm, no grating bolt locking mechanism possible	010150810	282	282	60	3,20

### MEAGARD COURTYARD GULLY EXTENSION ELEMENT

Description	Order No.	Length [mm]	Width [mm]	Constructive height [mm]	kg/unit
MEAGARD yard gully height adjustment element to increase construction height, H= 250 mm with moulded inserts Ø 110 mm on both sides for rainwater pipes, no grating bolt locking mechanism possible	010150805	282	282	282	11,30

### MEAGARD COURTYARD GULLY UNDER PART

Description	Order No.	Length [mm]	Width [mm]	Constructive height [mm]	kg/unit
MEAGARD yard gully under part 282 x 282 x 425 mm with possible connection Ø 100 mm	010150800	282	282	425	17,70

### MEAGARD COURTYARD GULLY SEDIMENT BUCKET

Description	Order No.	Material	kg/unit
MEAGARD courtyard gully sediment bucket made of plastic	010710063	PE-HD	0,21

# MEAGARD Courtyard Gully

A 15, B 125



BUILDING SUCCESS

## MEAGARD COURTYARD GULLY ODOUR TRAP

Description	Order No.	Material	kg/unit
MEAGARD yard gully GVS odour trap	010150815	Polymer concrete	3,20

## MEAGARD COURTYARD GULLY DUCTILE IRON RAISING FRAME

Description	Order No.	Length [mm]	Width [mm]	Constructive height [mm]	kg/unit
MEAGARD yard gully ductile iron stacking frame 300 x 300 mm	010150825	300	300	-	3,40

## MEAGARD COURTYARD GULLY LIP SEAL RING

Description	Order No.	Material	kg/unit
MEA NBR lip sealing ring Ø 110 mm made of highly resistant synthetic rubber for the liquid-tight connection of drainpipes	010153883	NBR	0,02

## MEA COMPOSITE MORTAR FOR BONDING AND REPARATION PURPOSES

Description	Order No.	Material	kg/unit
MEA ResiFix PY composite mortar (styrene-free) 165 ml cartridge + 2 mixing nozzles	010504205	2-component polyester resin	0,35

## MEAGARD COURTYARD GULLY COVER, LOADING CLASS B 125 ACCORDING TO EN 1433

Description	Order No.	Length [mm]	kg/unit
MEAGARD yard gully ductile Iron cover-B 125	010150830	280	4,90
MEAGARD yard gully 20/30 mesh grating cover-B 125	010150835	280	3,88
MEAGARD yard gully 30/30 mesh grating cover-Passable passenger cars	010150840	282	1,19

This edition of the technical data sheet shall be valid from December 2020 until a revised version is published and replaces any previous publications. The respectively current version is available for download at [www.mea-group.com](http://www.mea-group.com).

MEA Bautechnik GmbH  
 Business unit MEA Water Management  
 Sudetenstraße 1  
 86551 Aichach  
 Tel.: +49 (0) 82 51. 91 0  
 Fax: +49 (0) 82 51. 91 13 06  
 E-Mail: [info@mea-group.com](mailto:info@mea-group.com)  
[www.mea-group.com](http://www.mea-group.com)