

PURPOSE OF USE

Cover for a channel body of a drainage system with a slot-shaped water inlet, for use in areas where a slot drainage is required for aesthetic reasons. In-feed cross-section 96 cm²/m.

DESIGNS

Material

- / Die-cast grating with attachment made of galvanised steel
- / Die-cast grating with attachment made of stainless steel

Dimensions

- / Length 1000 mm
- / Length 500 mm
- / Neck height 160 mm

ACCESSORIES

- / Revision attachment
- / Grates for revision attachment
- / End cap for slot attachment element
- / Construction cover 0.5 m and 1 m
- / Quick connector for grating
- / Cover caps for revision attachment thread
- / Assembly tool

** Not suitable for the diagonal or transverse travel of motorways and highways.

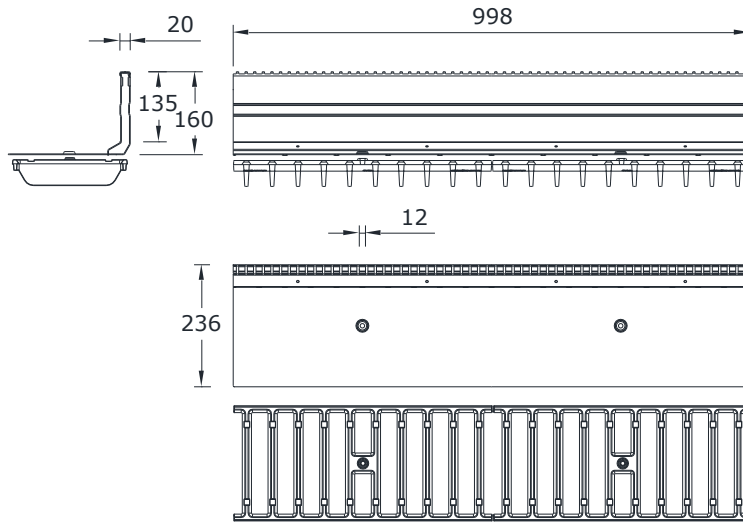
MEA TSH 200 TOPSLOT

A 15, B 125, C 250, D 400**, E 600**

CW 200

MEA TSH 200 TOPSLOT

MEA TSH 200 TOPSLOT suitable for channel systems **MEARIN** and **MEADRAIN** with CW 200 mm. Covers all ranges of application. Loading classes A 15 to E 600** according to EN 1433. Loading capacity according to specification when installed according to the MEA installation instructions.



MEA TSH 200 TOPSLOT LATERAL, GALVANISED STEEL, NECK HEIGHT 160 MM, LOADING CLASS E 600** ACCORDING TO EN 1433

Description	Order-No.	Material	Lenght [mm]	Height [mm]	kg/unit
MEA TSH 200.0 / 160 TOPSLOT-E 600-Galv.-1 m-lateral incl. 2 ductile iron grates	012152861	Galv. Steel.	1000	1000	21,40
MEA TSH 200.1 / 160 TOPSLOT-E 600-Galv.-0,5 m-lateral incl. ductile iron grating	012152863	Galv. Steel.	500	500	10,70
MEA TSH 200.R / 160 Galv. Inspection element upper part E 600-0,5 m	012152874	Galv. Steel.	500	500	21,40
MEA TSH End cap made of galvanised steel	012159030	Galv. Steel.	-	-	10,70

MEA TSH 200 TOPSLOT LATERAL, STAINLESS STEEL, NECK HEIGHT 160 MM, LOADING CLASS E 600** ACCORDING TO EN 1433

Description	Order-No.	Material	Lenght [mm]	Height [mm]	kg/unit
MEA TSH 200.0 / 160 TOPSLOT-E 600-Stainl.steel-1 m-lateral incl. 2 ductile iron grates	012152867	Stainl. steel	1000	1000	21,40
MEA TSH 200.1 / 160 TOPSLOT-E 600-Stainl.steel-0,5 m-lateral incl. ductile iron grating	012152869	Stainl. steel	500	500	10,70
MEA TSH 200.R / 160 Stainl.steel Inspection element upper part E 600-0,5 m	012152876	Stainl. steel	500	500	21,40
MEA TSH End cap made of stainless steel	012159031	Stainl. steel	-	-	10,70

** Not suitable for the diagonal or transverse travel of motorways and highways.

MEA TSH 200 TOPSLOT

A 15, B 125, C 250, D 400**, E 600**

CW 200

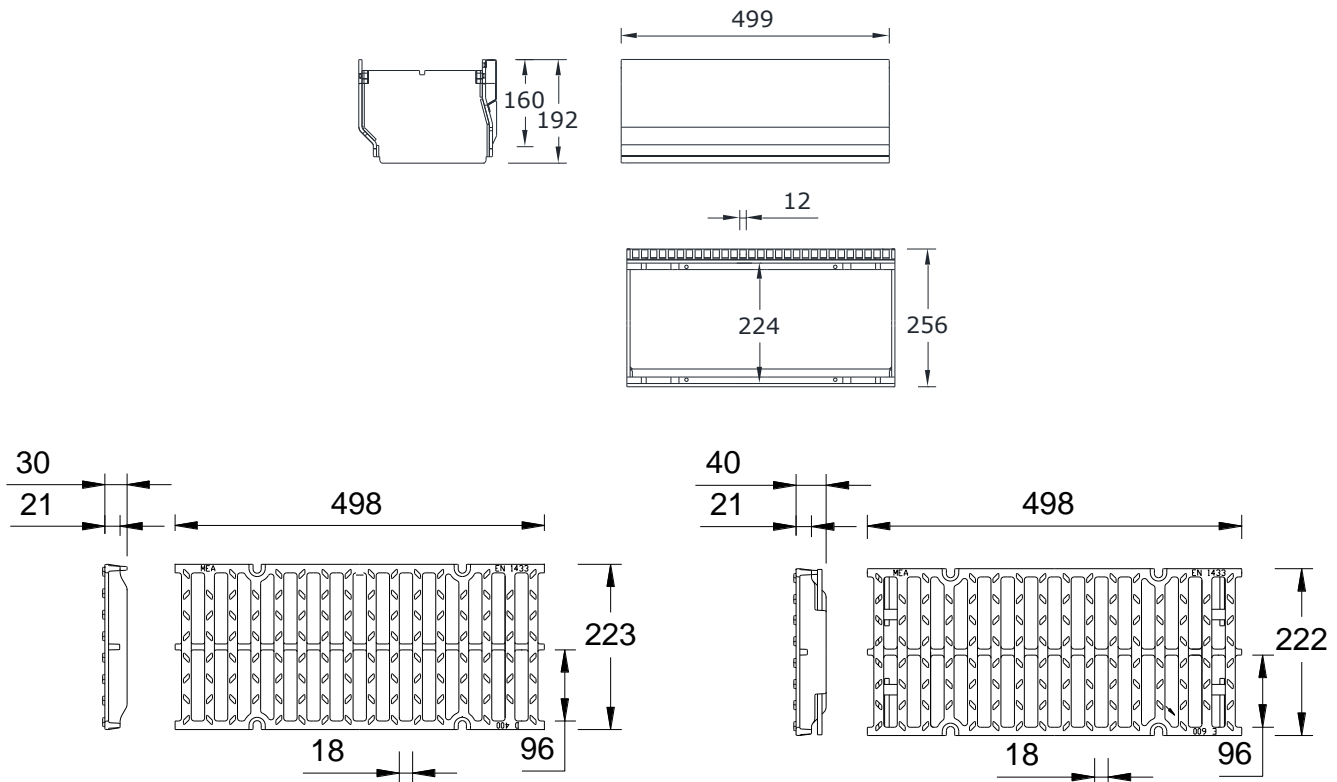


BUILDING SUCCESS

MEA TSH 200 ACCESSORIES

MEA TSH 2000, INSPECTION ELEMENT, LOADING CLASS E 600

Description	Order No.	Material	Length [mm]	Height [mm]	kg/unit
MEA TSH 2000.R/160 Inspection element	012152872	Galv. steel	500	210	14,50
MEA TSH 2000.R/160 Inspection element	012152873	stainless steel	500	210	14,50



LOADING CLASSES D 400** TO E 600** ACCORDING TO EN 1433, 4-FOLD BOLTED FOR MEA TSH 200 INSPECTION ELEMENT UPPER PART

Description	Order-No.	Material	In-feed Ø cm ² /m	Length [mm]	kg/unit
MEA EN 200 Ductile iron slotted grating-D 400-0,5 m 18/96 bolt fixing required	010154236	Ductile iron	962	500	7,40
MEA EN 200 Ductile Iron slotted grating-E 600-0,5 m 18/96 bolt fixing required	010154124	Ductile iron	962	500	8,70

MEA TSH 2000, GRATING FIXATION

Description	Order No.	Material	kg/unit
MEA TSH 2000 Grating locking mechanism, 4 pieces/grating with 20NM torque will be needed	010153102	stainless steel	0,02

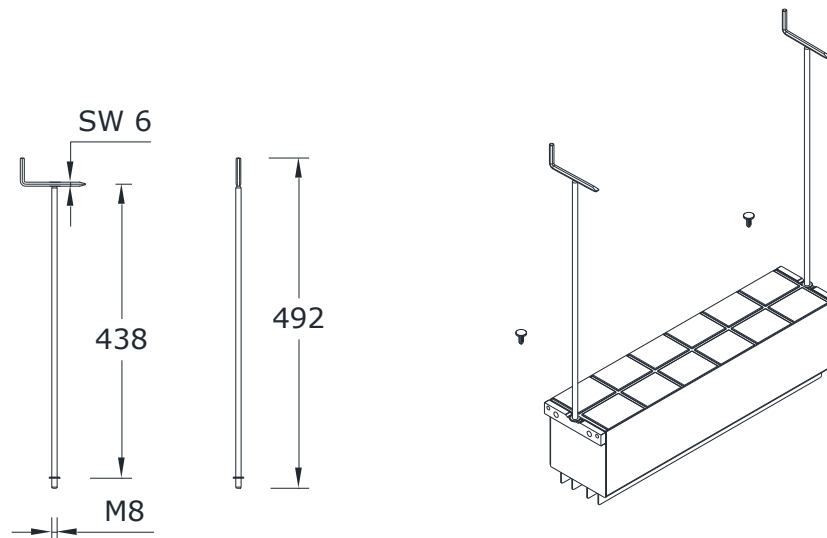
**** The surface coating of ductile iron parts only has a temporary and cosmetic function. Ductile iron is virtually impervious to surface oxidation from environmental influences (e.g. thawing salt). Superficial rust does not constitute a product defect. Of course, the resignation of surface coating is in accordance with all corresponding standards

** Not suitable for the diagonal or transverse travel of motorways and highways.

MEA TSH 200 ACCESSORIES

MEA TSH 200, ENDCAP

Description	Order No.	Material	kg/unit
MEA TSH End cap made of galvanised steel	012159030	Galv. steel	0,27
MEA TSH End cap made of stainless steel	012159031	Stainl. steel	0,27



MEA TSH 200, ACCESSORIES

Description	Order No.	Material	kg/unit
MEA TSH Construction cover-S, 1 m for TOPSLOT	010159893	Galv. steel	0,29
MEA TSH Construction cover-R, 0,5 m for revision attachment	010159895	Galv. steel	0,16
MEA TSH plastic caps for Inspection element upper part-thread for replacement delivery	010152866	PP	0,01
MEA TSH quick connector for grating for replacement delivery	010152900	PP	0,01
MEA TSH assembly tool - 2 items necessary	010152858	Galv. steel	0,25

** Not suitable for the diagonal or transverse travel of motorways and highways.

This edition of the technical data sheet shall be valid from November 2020 until a revised version is published and replaces any previous publications. The current version is available for download at www.mea-group.com.

MEA Bautechnik GmbH
 Business Unit MEA Water Management
 Sudetenstraße 1
 86551 Aichach
 Tel.: +49 (0) 82 51. 91 0
 Fax: +49 (0) 82 51. 91 13 06
 E-Mail: info@mea-group.com
www.mea-group.com