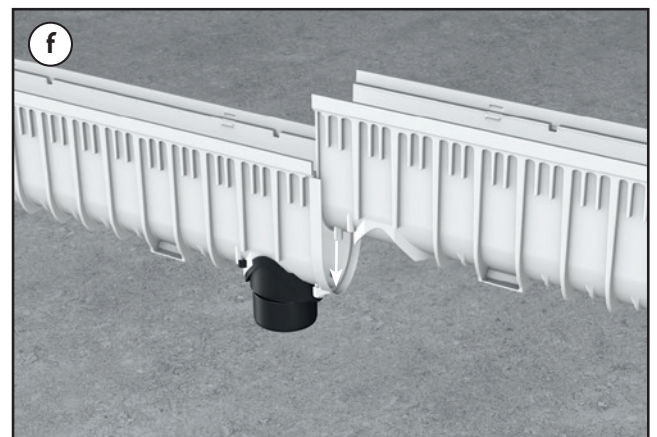
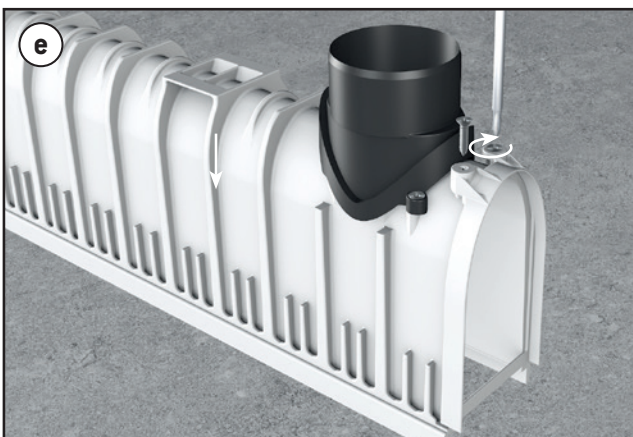
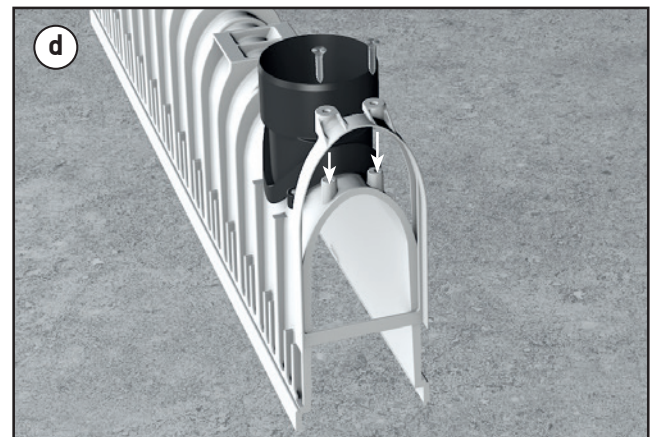
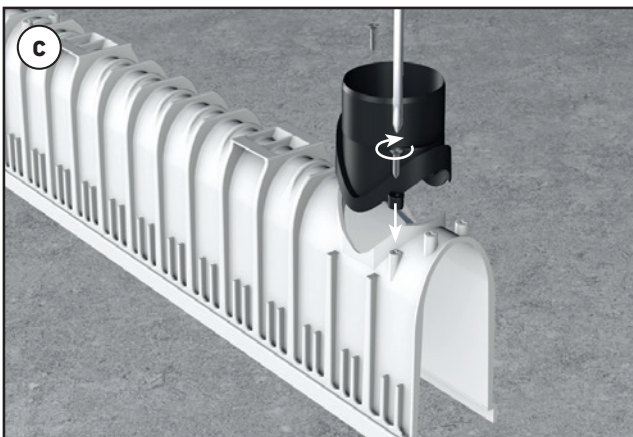
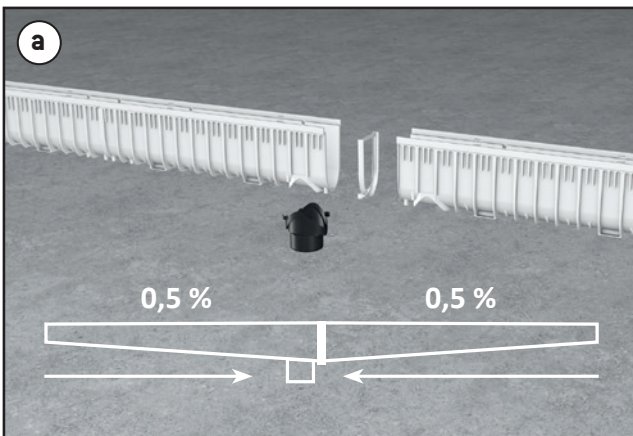


MEARIN DRAINAGE SYSTEM

CHANGE OF FLOW DIRECTION, MEARIN PLUS/EXPERT, 1-20 SLOPED CHANNELS

INSTALLATION INSTRUCTIONS / MONTAGEANLEITUNG / INSTRUCTIONS DE MONTAGE / INSTALAČNÍ NÁVOD
NAVODILA ZA MONTAŽO / INSTRUKCJE SKŁADANIA / ISTRUZIONI DI MONTAGGIO / MONTAGE-INSTRUCTIES
MONTERINGSANVISNINGAR

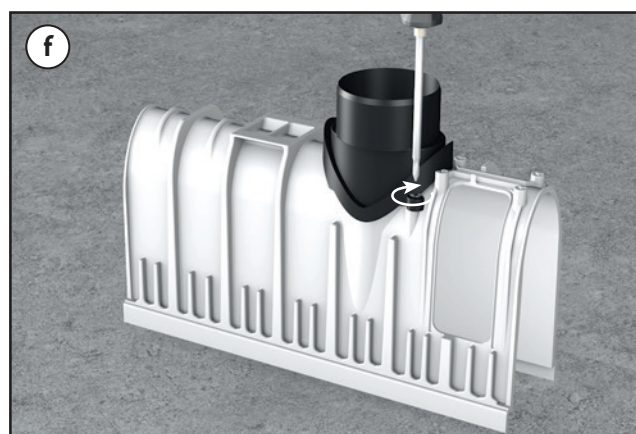
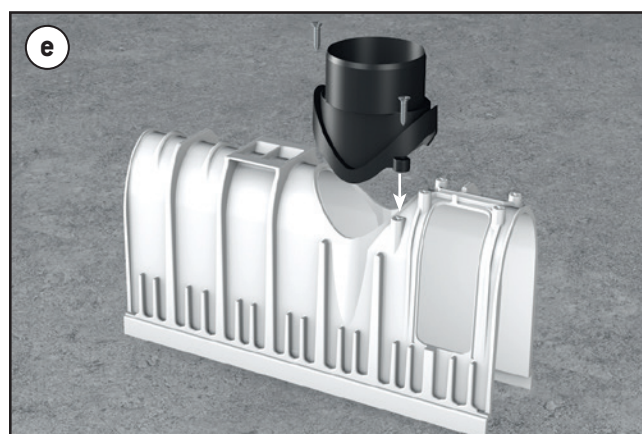
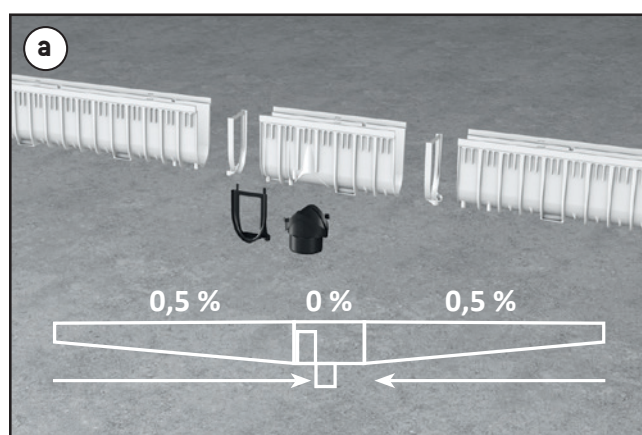


CHANNEL AND PIPE SIDE ADAPTER ONLY POSSIBLE WITH CHANNELS WITHOUT SLOPE.

MEARIN DRAINAGE SYSTEM

CHANGE OF FLOW DIRECTION + LATERAL CHANNEL CONNECTION, MEARIN PLUS/EXPERT,
1-20 SLOPED CHANNELS WITH NON SLOPED CHANNEL 110.1/210.1 RW or 120.1/220.1 RW 0,5m

INSTALLATION INSTRUCTIONS / MONTAGEANLEITUNG / INSTRUCTIONS DE MONTAGE / INSTALAČNÍ NÁVOD
NAVODILA ZA MONTAŽO / INSTRUKCJE SKŁADANIA / ISTRUZIONI DI MONTAGGIO / MONTAGE-INSTRUCTIES
MONTERINGSANVISNINGAR

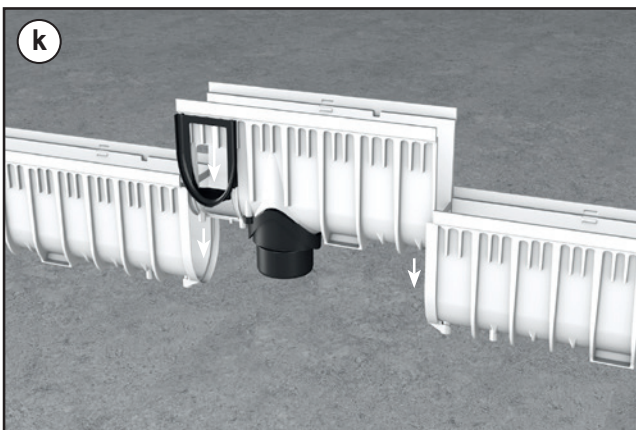
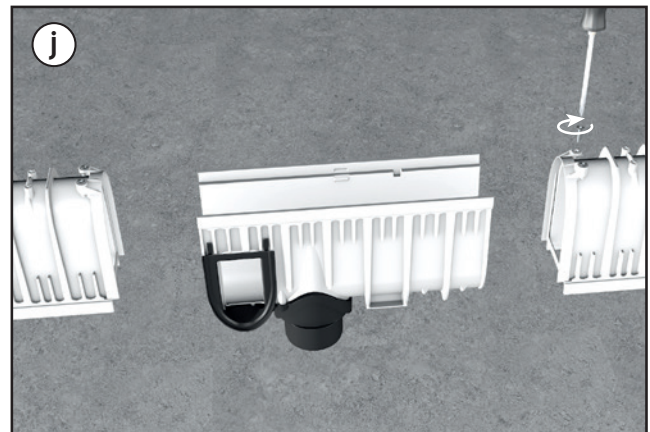
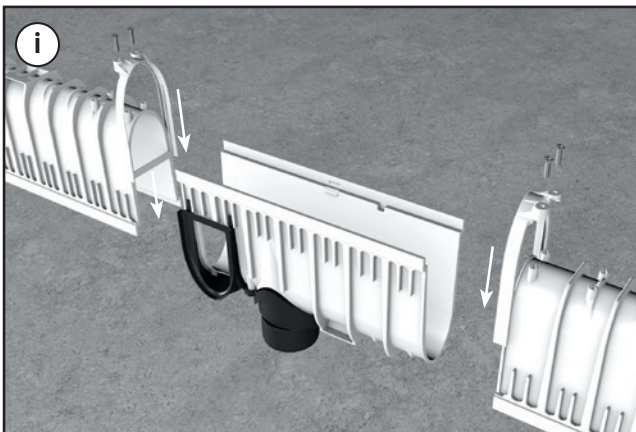
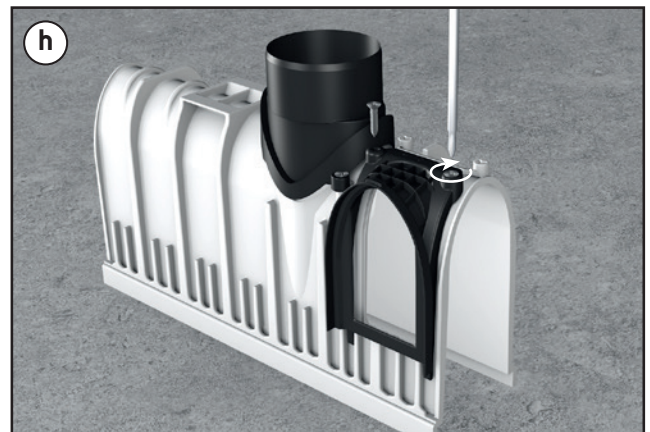


CHANNEL AND PIPE SIDE ADAPTER ONLY POSSIBLE WITH CHANNELS WITHOUT SLOPE.

MEARIN DRAINAGE SYSTEM

CHANGE OF FLOW DIRECTION + LATERAL CHANNEL CONNECTION, MEARIN PLUS/EXPERT,
1-20 SLOPED CHANNELS WITH NON SLOPED CHANNEL 110.1/210.1 RW or 120.1/220.1 RW 0,5m

INSTALLATION INSTRUCTIONS / MONTAGEANLEITUNG / INSTRUCTIONS DE MONTAGE / INSTALAČNÍ NÁVOD
NAVODILA ZA MONTAŽO / INSTRUKCJE SKŁADANIA / ISTRUZIONI DI MONTAGGIO / MONTAGE-INSTRUCTIES
MONTERINGSANVISNINGAR



CHANNEL AND PIPE SIDE ADAPTER ONLY POSSIBLE WITH CHANNELS WITHOUT SLOPE.