

MATERIAL CHARACTERISTICS

TENSILE STRENGTH	65 N/mm ² (ISO 527)
BENDING STRENGTH	120 N/mm ² (ISO 14125)
ELASTICITY MODULE	10.000 N/mm ² (ISO 14125)
DENSITY	2,0 g/cm ³ (ISO 1172)
COEFFICIENT OF LINEAR EXPANSION	1,5 – 2,0 x 10 ⁻⁵ 1/K
HEAT RESISTANCE	100°C continuous load, up to 240°C with a load duration up to 110 min.
FROST RESISTANCE	-35°C
WATER PENETRATION LEVEL	0 mm
WATER ABSORPTION	0,078 % (EN ISO 62:2008-05 Procedure 1)
MATERIAL STRUCTURE	Capillary free

HYDRAULIC POWER

Discharge capacity (via free drainage channel cross section): 0.33 l/s

Water absorption volume: 1.87 l/m

PURPOSE OF USE

Component for the line drainage of surfaces in order to collect, transport and discharge water from adjacent fixed surfaces. Especially for multi-storey car parks and underground garages.

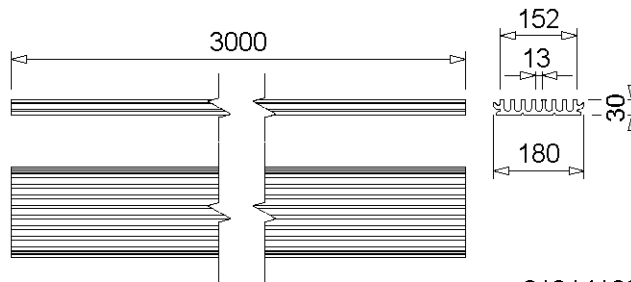
MEARIN PG EVO 1500

A 15 B 125 C 250

Width 170/180

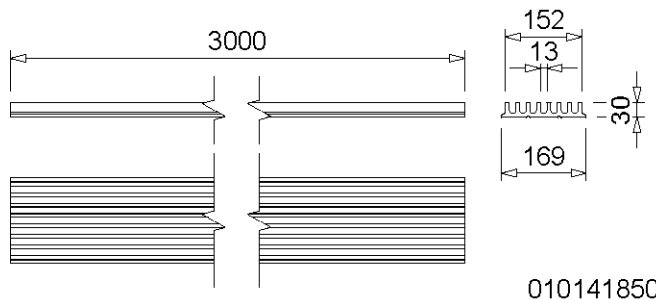
**MEARIN PG EVO 1500 MULTI-STOREY CAR PARK SHALLOW DRAINAGE CHANNEL
MADE OF GLASS-FIBRE-REINFORCED COMPOSITE WITH COMB PROFILE, SEALABLE, ACCORDING TO EN 1433**

Monolithic drainage channels made of glass-fibre-reinforced composite, total width 180 / 170 mm. Low constructive height 30 mm and reduction of impact sealing due to length 3000 mm. Versions with sealing flange for OS installation or without sealing flange for mastic asphalt installation. Available as standard in 3 colors (grey, black, red), other colors on request, from 1000 m channel. Loading classes A 15 to C 250 according to EN 1433. Fire resistance according to EN 13501-1 Bfl-S1, hardly flammable, No. 230011568-3.



MEARIN PG EVO-OS 1500 MULTI-STOREY CAR PARK CHANNEL, LOADING CLASSES UP TO C 250, FOR THE INSTALLATION IN FLOORS COATED WITH RESIN

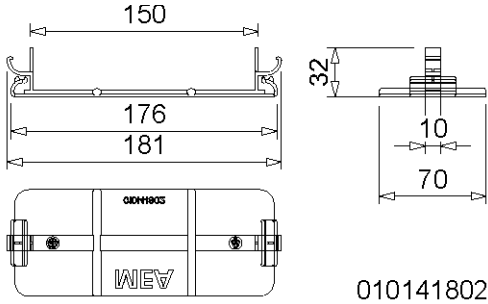
Description	Ord. No.	Length [mm]	Height [mm]	kg/unit
MEARIN PG EVO-OS GREY 1500 drainage channel body-3 m, with sealing flange	010141800	3000	30	18,32
MEARIN PG EVO-OS BLACK 1500 drainage channel body-3 m, with sealing flange	010141814	3000	30	18,32
MEARIN PG EVO-OS RED 1500 drainage channel body-3 m, with sealing flange	010141803	3000	30	18,32



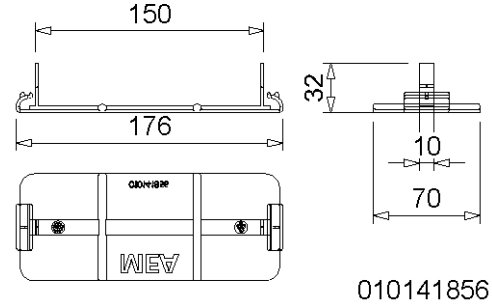
MEARIN PG EVO-AS 1500 MULTI-STOREY CAR PARK CHANNEL, LOADING CLASSES UP TO C 250, FOR THE INSTALLATION IN FLOORS COATED WITH ASPHALT

Description	Ord. No.	Length [mm]	Height [mm]	kg/unit
MEARIN PG EVO-AS GREY 1500 drainage channel body-3 m	010141850	3000	30	16,90
MEARIN PG EVO-AS BLACK 1500 drainage channel body-3 m	010141852	3000	30	16,90
MEARIN PG EVO-AS RED 1500 drainage channel body-3 m	010141846	3000	30	16,90

MEARIN PG EVO 1500 FOR MULTI-STOREY CAR PARKS ACCESSORIES



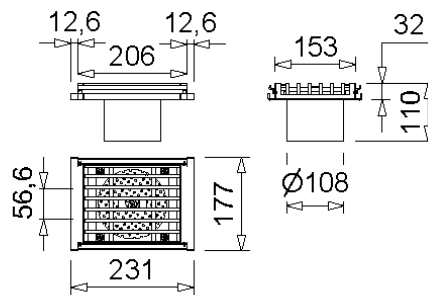
010141802



010141856

**MEARIN PG EVO 1500 MULTI-STOREY CAR PARK CHANNEL CONNECTOR
MADE OF GLASS-FIBRE-REINFORCED COMPOSITE**

Description	Ord. No.	Material	kg/unit
MEARIN PG EVO-OS 1500.V connectors to connect the PG EVO-OS channels and definition of the butt joint (color: grey)	010141802	PC	0,05
MEARIN PG EVO-AS 1500.V connectors to connect the PG EVO-AS channels and definition of the butt joint (color: grey)	010141856	PC	0,05



010141838

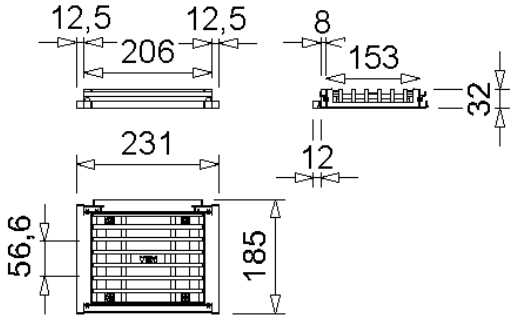
MEARIN PG EVO 1500.EK MULTI-STOREY CAR PARK CHANNEL DRAINAGE ELEMENT

Description	Ord. No.	Length [mm]	Height [mm]	kg/unit
MEARIN PG EVO 1500.EK stainl. steel (AISI 316) drain Ø 110 mm incl. longitudinal rod cover matching the 4-fold bolt connection and dirt filter appearance. OS sealing flange can be removed for AS use. To close the open side an additional end cap is required. *) **)	010141838	231	32/110	3,05

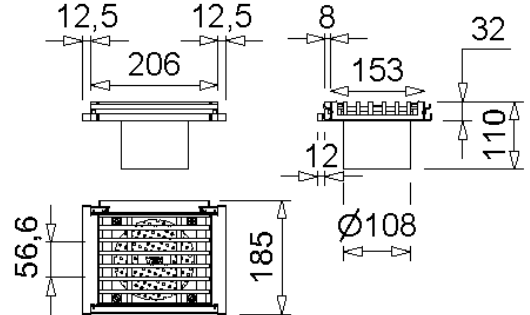
*) Delivery time on demand

**) Not suitable for the diagonal or transverse travel of motorways and highways.

MEARIN PG EVO 1500 FOR MULTI-STOREY CAR PARKS ACCESSORIES



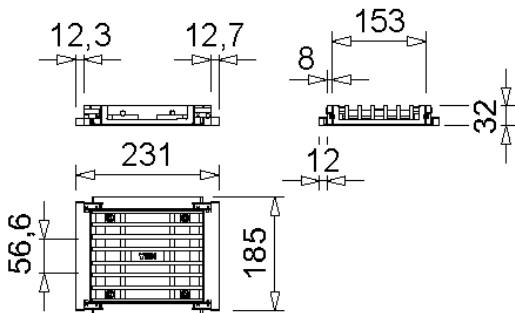
010141840



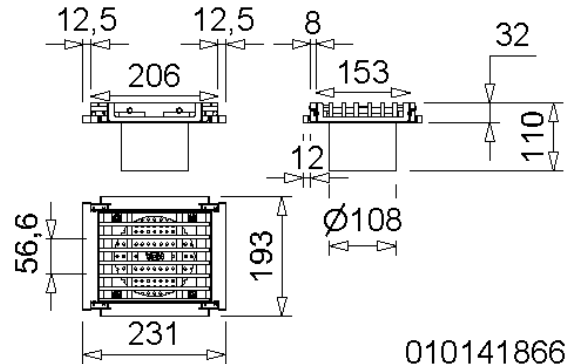
010141842

**MEARIN PG EVO 1500.T T CROSSING ELEMENT WITH OR WITHOUT OUTLET
MADE OF STAINLESS STEEL (AISI 316)**

Description	Ord. No.	Length [mm]	Width [mm]	kg/unit
MEARIN PG EVO 1500.T stainl. steel (AISI 316) T crossing element incl. longitudinal rod cover, matching the channel appearance with 4-fold bolt connection. OS sealing flange can be removed for AS use. For connection on 3 sides. For closing the fourth side use an additional end cap *) **)	010141840	231	186	2,68
MEARIN PG EVO 1500.T/A stainl. steel (AISI 316) T crossing element with Ø 110 mm outlet incl. longitudinal rod cover, matching the channel appearance with 4-fold bolt connection. OS sealing flange can be removed for AS use. For connection on 3 sides. For closing the fourth side use an additional end cap *) **)	010141842	231	186	3,01



010141862



010141866

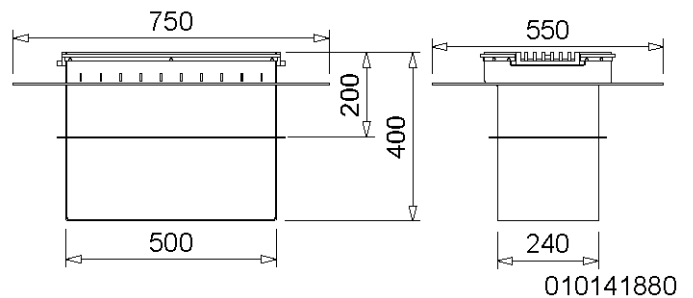
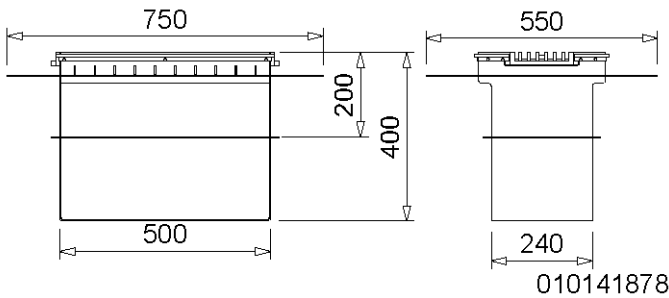
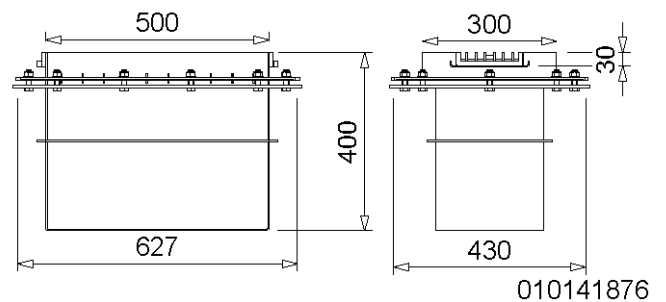
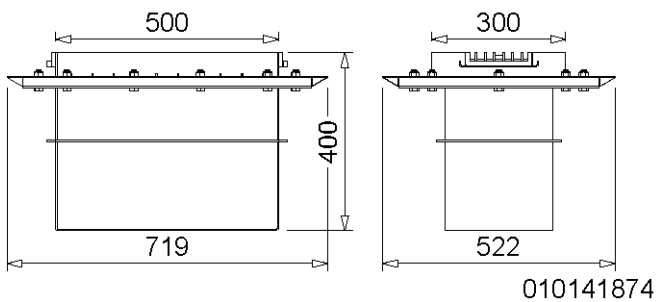
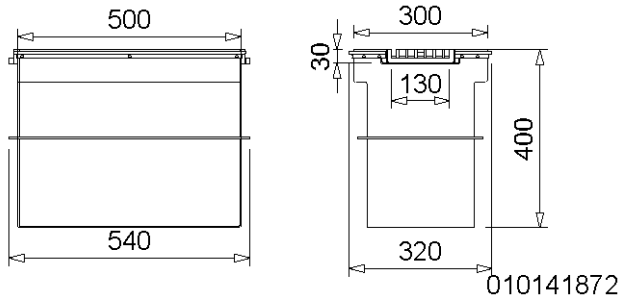
**MEARIN PG EVO 1500.K CROSSING ELEMENT WITH OR WITHOUT OUTLET
MADE OF STAINLESS STEEL (AISI 316)**

Description	Ord. No.	Length [mm]	Width [mm]	kg/unit
MEARIN PG EVO 1500.K stainl. steel (AISI 316) crossing element incl. longitudinal rod cover, matching the channel appearance with 4-fold bolt connection. OS sealing flange can be removed for AS use. For connection on 4 sides. For closing the open sides use an additional end cap *) **)	010141862	231	199	3,10
MEARIN PG EVO 1500.K/A stainl. steel (AISI 316) crossing element with Ø 110 mm outlet incl. longitudinal rod cover, matching the channel appearance with 4-fold bolt connection. OS sealing flange can be removed for AS use. For connection on 4 sides. For closing the open sides use an additional end cap *) **)	010141866	231	199	3,80

*) Delivery time on demand

**) Not suitable for the diagonal or transverse travel of motorways and highways.

MEARIN PG EVO 1500 FOR MULTI-STOREY CAR PARKS ACCESSORIES



MEARIN PG EVO PUMP SUMPS MADE OF STAINLESS STEEL (AISI 316)

Description	Ord. No.	Length [mm]	Height [mm]	kg/unit
MEA pump sump PG EVO-OS with OS sealing flange. For 2- sided gutter connection. Without clamping or adhesive flange. For use in floor slabs without a second sealing level. With pressurised water seal. Incl. Longitudinal rod grating B 125. Water absorption volume 47 liters. *)	010141872	540	400	28,90
MEA pump sump PG EVO-AS for installation in 1-layer mastic asphalt. For 2-sided gutter connection. With clamping flange and pressurised water seal. Incl. longitudinal rod grating B 125. Water absorption volume 47 liters. *)	010141874	719	400	44,60
MEA pump sump PG EVO-AS for installation in 2-layer mastic asphalt. For 2-sided gutter connection. With clamping flange and pressurised water seal. Incl. longitudinal rod grating B 125. Water absorption volume 47 liters. *)	010141876	647	400	42,40
MEA pump sump PG EVO-AS / OS for installation in 1-layer mastic asphalt or OS with a second sealing level. For 2- sided gutter connection. With adhesive flange and pressurised water seal. OS sealing flange removable. Incl. longitudinal rod grating B 125. Water absorption volume 47 liters. *)	010141878	750	400	35,20
MEA pump sump PG EVO-AS / OS for installation in 2-layer mastic asphalt or OS with a second sealing level. For 2-sided gutter connection. With adhesive flange and pressurised water seal. OS sealing flange removable. Incl. longitudinal rod grating B 125. Water absorption volume 47 litres. *)	010141880	750	400	35,40

*) Delivery time on demand

MEARIN PG EVO 1500

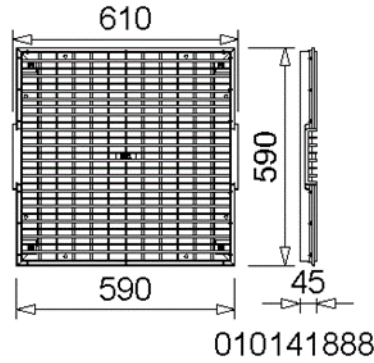
A 15 B 125 C 250

Width 170/180



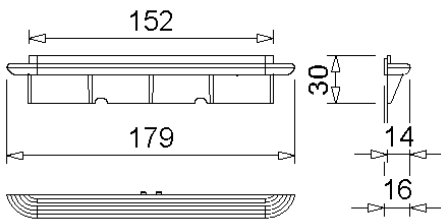
BUILDING SUCCESS

MEARIN PG EVO 1500 FOR MULTI-STOREY CAR PARKS ACCESSORIES

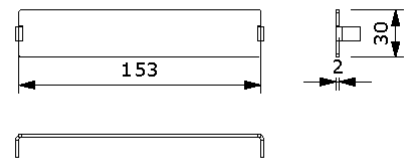


STACKING FRAME FOR PUMP SUMP MADE OF STAINLESS STEEL (AISI 316)

Description	Ord. No.	Length [mm]	Height [mm]	kg/unit
MEA stacking frame including grate for concrete pump sumps. With OS sealing flange. For 2-sided gutter connection. Including longitudinal bar grating B 125. *)	010141888	590	45	35,5



010141808



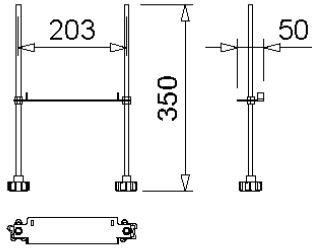
010141844

MEARIN PG EVO 1500 END CAPS MADE OF PLASTIC OR STAINLESS STEEL (AISI 316)

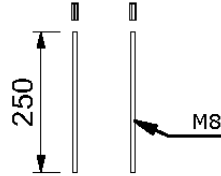
Description	Ord. No.	Material	Height [mm]	kg/unit
MEARIN PG EVO-OS 1500.SE End cap for channel start/end with integrated sealing flange for OS coatings, suitable for PG EVO 1500 outlet/ T and crossing element	010141808	PC	30	0,03
MEARIN PG EVO-AS 1500.SE stainl. steel AISI 316 end cap for asphalt surfaces fitting the MEARIN PG EVO 1500 outlet, T and crossing element *)	010141844	Stainl. steel	30	0,08

*) Delivery time on demand

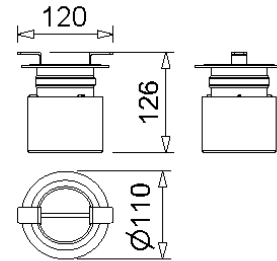
MEARIN PG EVO 1500 FOR MULTI-STOREY CAR PARKS ACCESSORIES



010141810



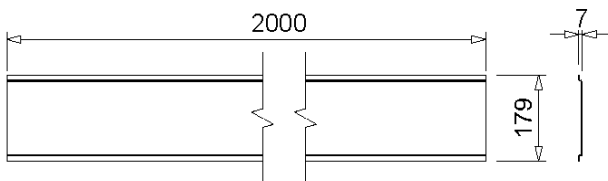
010141824



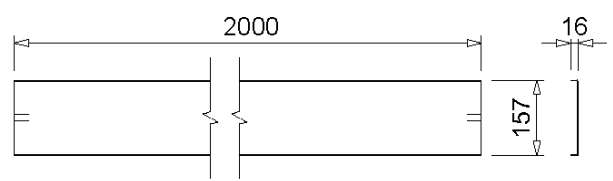
010141812

MEARIN PG EVO 1500 INSTALLATION ELEVATION DEVICE AND ODOUR TRAP

Description	Ord. No.	Material	kg/unit
MEARIN PG EVO 1500.AF installation set, standard height 35 cm. (Required quantity: 2x per 3 metre channel +1)- Place every second installation unit directly underneath the connectors. One set is required for each drain / T or crossing element. *)	010141810	Galv. steel, Stainl. steel, Plastic	0,38
MEARIN PG EVO.AF extension 25 cm. Extension set for PG EVO.AF installation (2 rods with nuts)	010141824	Galv. steel	0,20
MEA odour trap.GV Ø 110 mm made of stainl. steel, fitting outlet-elements with outlet Ø 110 mm *)	010141812	Stainl. steel	0,58



010141836



010141854

MEARIN PG EVO 1500 MOUNTING COVER AND MOUNTING JOINT

Description	Ord. No.	Material	kg/unit
MEARIN PG EVO-OS 1500 mounting cover for resin surfaces (OS). 2 Metres	010141836	Galv. steel	3,14
MEARIN PG EVO-AS 1500 mounting cover for asphalt and concrete surfaces (AS). 2 Metres	010141854	Galv. steel	2,73
MEARIN PG EVO-AS mounting joint, 2 metres, fire resistance according to DIN 4102-1, B1- hardly flammable, max. application temperature of a duration of 1 hour > 200°C according to EN ISO 2578	010141858	Melamine resin foam	0,01

*) Delivery time on demand

MEARIN PG EVO 150 FOR MULTI-STOREY CAR PARKS ACCESSORIES

MEARIN PG FLOOR/CEILING DRAINS, ODOUR TRAP AND FIRE KIT

Description	Ord. No.	Material	kg/unit
For installation with mastic asphalt: MEA PG pressed gasket flange drain. Floor/ceiling drain Ecoguss, external Ø 274 mm, incl. mortar barrier. Connection option for vertical drain Ø 110 mm. Optionally prepared for fire protection firekit and/or odour trap. *)	010141816	Ecoguss, Stainl. steel	2,39
For installation with OS coatings: MEA PG adhesive flange drain. Floor/ceiling drain Ecoguss, external Ø 348 mm, incl. mortar barrier. Connection option for vertical drain Ø 110 mm. Optionally prepared for fire protection fire-kit and/or odour trap.	010141818	Ecoguss, Plastic	1,90
MEA PG.GV odour trap suitable for floor/ceiling drains Ecoguss with pressure seal or adhesive flange, drain Ø 110 mm.	010141820	Plastic	0,24
MEA PG Fire-Kit, suitable for floor/ceiling drains Ecoguss, drain Ø 110 mm. In conjunction with Ecoguss drains, MEA PG odour trap, fire resistance class R120 with DIBT approval Z19.17-1719 *)	010141822	Plastic, Stainl. steel	0,16

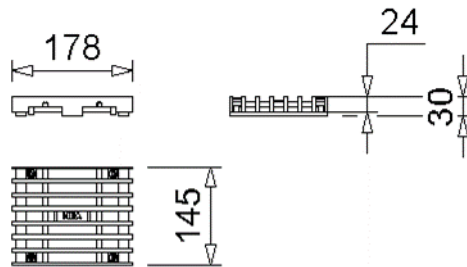
MEARIN PG EVO SEALANTS FOR MULTI-STOREY CAR PARK CHANNELS

Description	Order No.	Material	kg/unit
SABA MS Floor GREY sealant 600 ml in a bag, stable ***)	010152708	MS-polymer-basis	0,88
SABA MS Floor SL GREY sealant 600 ml in a bag, self-leveling ***)	010152710	MS-polymer-basis	0,85
SABA MS Floor BLACK sealant 600 ml in a bag, stable *) ***)	010152700	MS-polymer-basis	0,84
SABA MS Floor SL BLACK sealant 600 ml in a bag, self-leveling *) ***)	010152717	MS-polymer-basis	0,84
SABA Primer 9102 for undercoat, 1 liter	010155803	Silane-basis	0.92
Joint Cleaner solvent 48, 1 liter, Cleaner for adhesive flanks	010155807	-	0,84
Dispensing gun for 600 ml bags	010152707	-	0,63
Saba Ecoséal Bio HM sealant 600 ml *)	010152716	MS-polymer-basis	0,84

*) Delivery time on demand

***) For watertight mounting of drainage channels (only for channels transporting rainwater). Not suitable for installation in LAU facilities, gas stations or similar constructions

MEARIN PG EVO COVER



010141882

MEARIN PG EVO 1500 COVER FOR OUTLET ELEMENT, T AND CROSSING ELEMENT

Description	Ord. No.	Material	Length [mm]	kg/unit
MEARIN PG EVO 1500 longitudinal bar grating for crossing, T and outlet element including 4 hexagon socket bolts M8x20 DIN 6912 *)	010141882	Stainl. stee	177	1,66

*) Delivery time on demand

This edition of the technical data sheet shall be valid from May 2023 until a revised version is published and replaces any previous publications. The respectively current version is available for download at www.mea-group.com.

MEA Bautechnik GmbH
 Business Unit MEA Water Management
 Sudetenstraße 1
 86551 Aichach
 Tel.: +49 (0) 82 51 91 0
 Fax: +49 (0) 82 51 91 13 06
 E-Mail: info@mea-group.com
www.mea-group.com