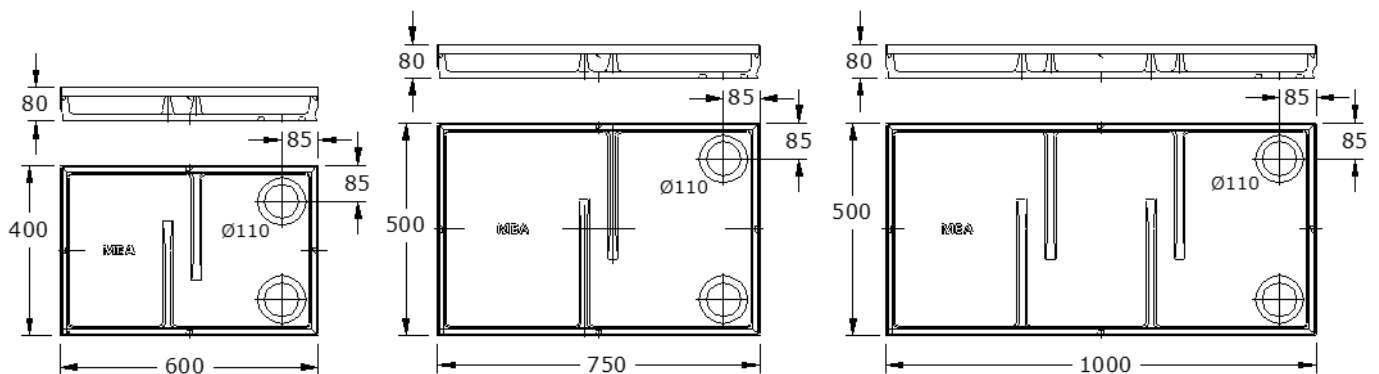


## MATERIAL PROPERTIES

TRAY UNIT	
POLYMER CONCRETE	based on polyester resin, with natural minerals
COMPRESSION RESISTANCE	≥ 90 N/mm <sup>2</sup>
FLEXURAL TENSILE STRENGTH	≥ 22 N/mm <sup>2</sup>
MODULES OF ELASTICITY	25.000 – 35.000 N/mm <sup>2</sup>
DENSITY	2,1 – 2,3 kg/dm <sup>3</sup>
LINEAR EXPANSION COEFFICIENT	Ca. 1,45 x 10 <sup>-5</sup> 1/K
HEAT RESISTANCE	100°C permanent exposure, short-term exposure (5 min.) to 200 C
FROST RESISTANCE	- 50°C
WATER PENETRATION LEVEL	0 mm
WATER ABSORPTION	< 0,05% DIN 52 103 (A)
MATERIAL STRUCTURE	capillary free
EDGE PROTECTION	cast iron GG KTL-coated
CHANNEL COVER	Ductile iron GGG

## MEAGARD POLYMER CONCRETE DOORMAT TRAYS



**MEAGARD POLYMER CONCRETE DOORMAT TRAYS**

Doormat trays made of polymer concrete with integrated galvanized steel frame, support ribs and preformed knockout for vertical outlet Ø 110mm. With various covers. Two connection facilities at the bottom for vertical outlets Ø 110mm.

**DOORMAT TRAYS MADE OF POLYMER CONCRETE**

Designation	Ord. No.	Width [mm]	Length [mm]	kg/unit
MEAGARD doormat tray 600 x 400 without cover	010190100	400	600	13,00
MEAGARD doormat tray 750 * 500 without cover	010190200	500	750	20,44
MEAGARD doormat tray 1000 * 500 without cover	010190300	500	1000	25,90

**MEAGARD DOORMAT TRAYS ACCESSORIES****COVERS FOR DOORMAT TRAYS MADE OF POLYMER CONCRETE**

Designation	Ord. No.	Width [mm]	Length [mm]	kg/unit
MEAGARD FuKa Expanded metal 600 x 400 <sup>19)</sup>	010190310	400	600	3,03
MEAGARD FuKa Expanded metal 750 x 500 <sup>19)</sup>	010190320	500	750	5,06
MEAGARD FuKa Expanded metal 1000 x 500 <sup>19)</sup>	010190330	500	1000	6,53
MEAGARD FuKa Mesh grating 30/10 600 x 400 <sup>19)</sup>	010190340	400	600	4,38
MEAGARD FuKa Mesh grating 30/10 750 x 500 <sup>19)</sup>	010190350	500	750	7,45
MEAGARD FuKa Mesh grating 30/10 1000 x 500 <sup>19)</sup>	010190360	500	1000	8,62
MEAGARD FuKa Light grey ribbed mat 600 x 400 <sup>19)</sup>	010190431	400	600	2,24
MEAGARD FuKa Light grey ribbed mat 750 x 500 <sup>19)</sup>	010190433	500	750	5,16
MEAGARD FuKa Light grey ribbed mat 1000 x 500 <sup>19)</sup>	010190435	500	1000	4,55
MEAGARD FuKa Black rubber profile mat 600 x 400 <sup>19) 23)</sup>	010190421	400	600	3,02
MEAGARD FuKa Black rubber profile mat 750 x 500 <sup>19) 23)</sup>	010190423	500	750	5,37
MEAGARD FuKa Black rubber profile mat 1000 x 500 <sup>19) 23)</sup>	010190425	500	1000	6,54

19) Effective outer dimension of the extension = nominal dimension – 8 mm

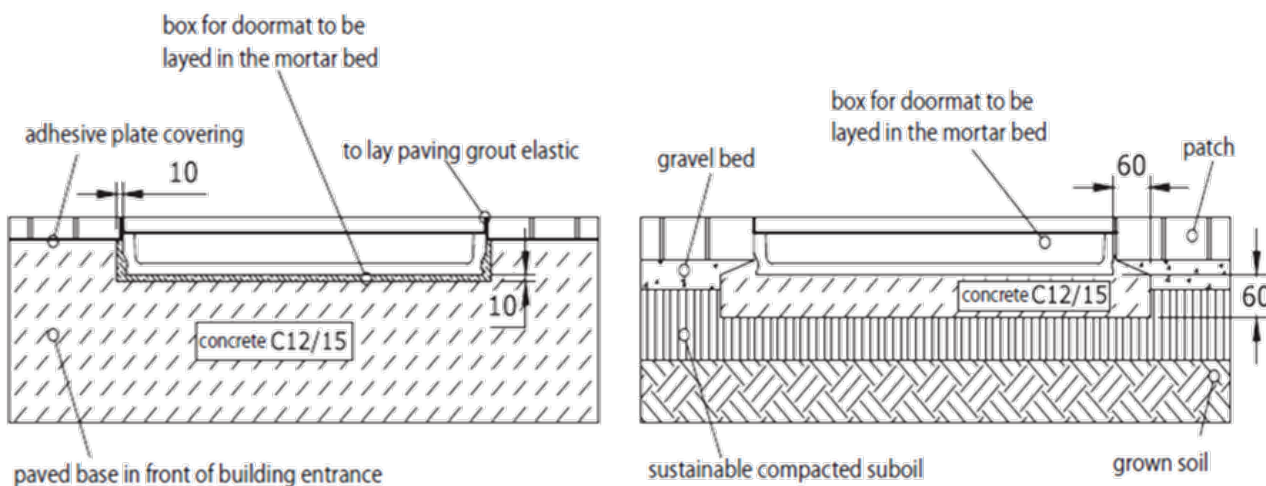
23) Please be aware that the honeycombed rubber mat can lead to staining since it is a natural product. For light coloured ground surface within the building we recommend using the velour coco mats.

## MEAGARD DOORMAT TRAYS ACCESSORIES

### OUTLET SET

Designation	Ord. No.	Material	kg/unit
MEADRAIN/MEAGARD/MEALINE drainage set with Ø 110 mm connector, sediment bucket and odour seal	010150730	PP	0,20

### MEAGARD DOORMAT TRAYS INSTALLATION SITUATION



This edition of the technical data sheet is valid from September 2021 until the publication of a revised version and replaces earlier publications. The current version is available for download at [www.mea-group.com](http://www.mea-group.com).

MEA Bautechnik GmbH  
 Business Unit MEA Water Management  
 Sudetenstraße 1  
 86551 Aichach  
 Tel.: +49 (0) 82 51. 91 0  
 Fax: +49 (0) 82 51. 91 13 06  
 E-Mail: [info@mea-group.com](mailto:info@mea-group.com)  
[www.mea-group.com](http://www.mea-group.com)