

MATERIAL CHARACTERISTICS

FIBERGLASS COMPOSITE	glass-fibre-reinforced polyester, mineral fillers, additives
TENSILE STRENGTH	65 N/mm ² (ISO 527)
BENDING STRENGTH	120 N/mm ² (ISO 14125)
ELASTICITY MODULE	10.000 N/mm ² (ISO 14125)
DENSITY	2,0 g/cm ³ (ISO 1172)
COEFFICIENT OF LINEAR EXPANSION	1,5 - 2,0 x 10 ⁻⁵ 1/K
HEAT RESISTANCE	100°C continuous load, up to 240°C with a load duration up to 110 min.
FROST RESISTANCE	-35°C
WATER ABSORPTION	0,078 % (EN ISO 62:2008-05 Procedure 1)

PURPOSE OF USE

Component for the line drainage of surfaces in order to collect, transport and discharge rainwater from adjacent fixed surfaces.

DESIGNS

- / Length 1000 mm
- / Length 500 mm
- / Length 500 mm as a change of flow direction

EDGE PROTECTION

- / Glass-fibre-reinforced composite

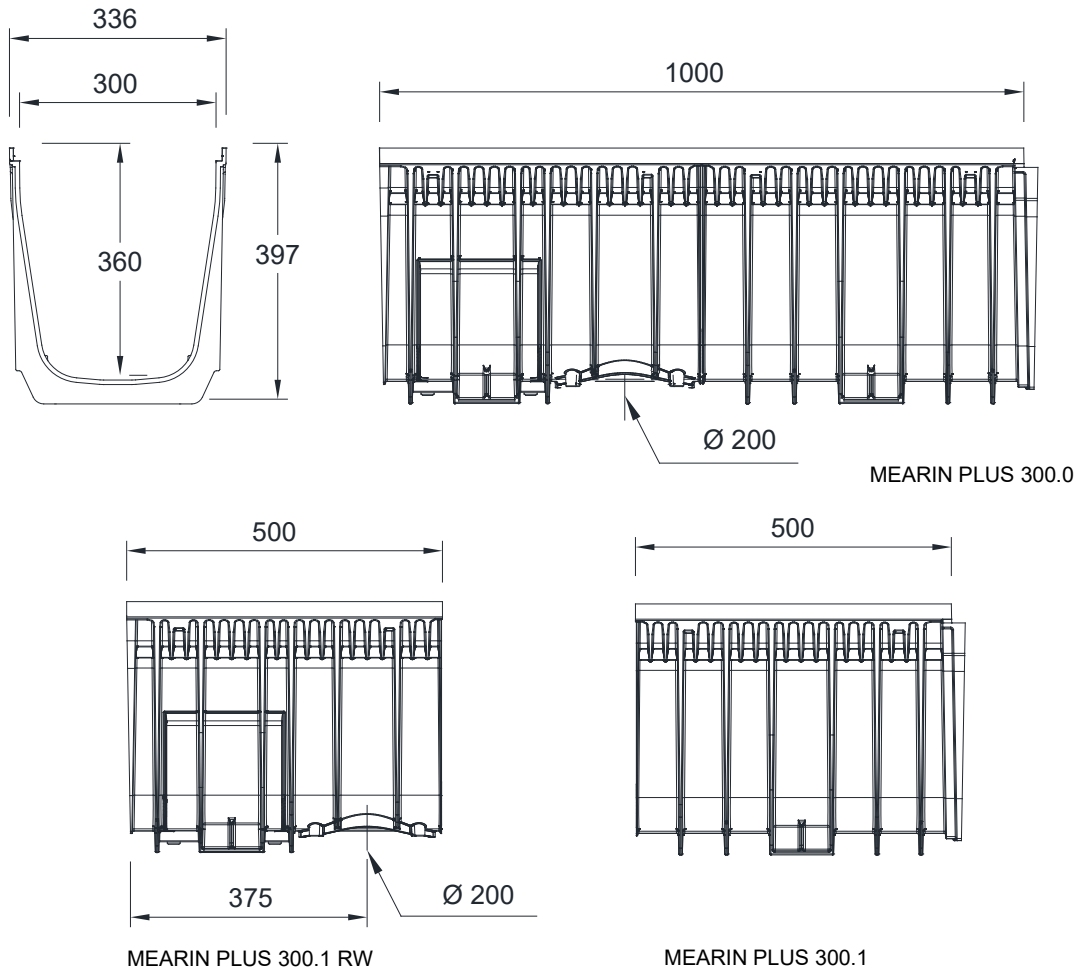
ACCESSORIES

- / Sediment bucket top part
- / Sediment bucket intermediate part
- / Sediment bucket bottom part short
- / Sediment bucket bottom part deep
- / Sediment bucket for sludge bucket bottom part short
- / Sediment bucket for sludge bucket bottom part deep
- / End cap closed with preforming for
Ø 200mm pipe connection
- End cap for the lateral connection with connection
piece Ø 200 mm
- / Adapter for lateral channel connection (corner, T
and cross connections)
- / Vertical drain socket Ø 200mm
- / Odour trap including dirt filter and dirt trap

MEARIN PLUS 300 DRAINAGE CHANNELS

WITH A GLASS-FIBRE COMPOSITE EDGE AND SEALING JOINT ACCORDING TO EN 1433

Drainage channel made of fiberglass composite material. Clear width 300mm, constructive width 336mm. For the realization of water level slopes. Loading class A 15 to D 400* according to EN 1433. Suitable for drainage channel covers MEARIN PLUS/EXPERT 300 with STARFIX quick-release fastener. Load capacity according to specification, when installed according to the MEA installation information.



MEARIN PLUS 300 DRAINAGE CHANNEL BODY WITHOUT FALL, LOADING CLASSES A 15 TO D 400 ACCORDING TO EN 1433**

Designation	Ord. No.	Length [mm]	Height [mm]	kg/unit
MEARIN PLUS 300.0 drainage channel body ^{6) 14)}	010140400	1000	397	10,00
MEARIN PLUS 300.1 drainage channel body ³⁾	010140402	500	397	5,90
MEARIN PLUS 300.1RW drainage channel body for change of drain direction ^{6) 14) 15)}	010140404	500	397	5,90

*** For watertight mounting of drainage channels (only for channels transporting rainwater). Not suitable for installation in LAU facilities, gas stations or similar constructions

3) Connection option for end caps with nozzle or gully.

6) Connection option for vertical drain Ø 200mm (drainage deformation), end caps with connector or to gullies/silt boxes.

14) Connection option for corner-, t- cross- connections.

15) Utilization option as a flow direction change.

MEARIN PLUS 300

A 15, B 125, C 250, D 400

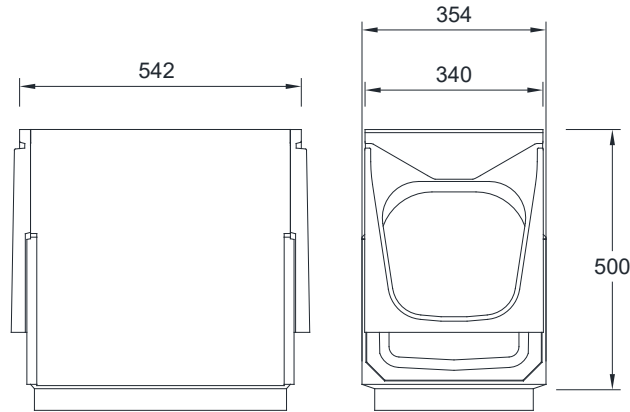
nominal width 300



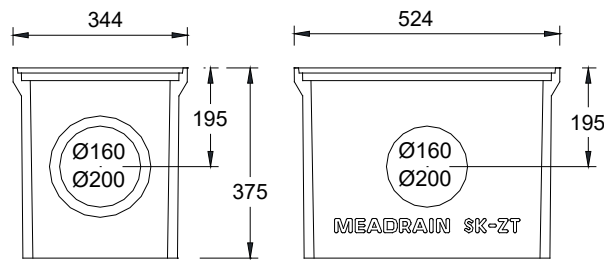
BUILDING SUCCESS

MEARIN PLUS 300 SEDIMENT BUCKET

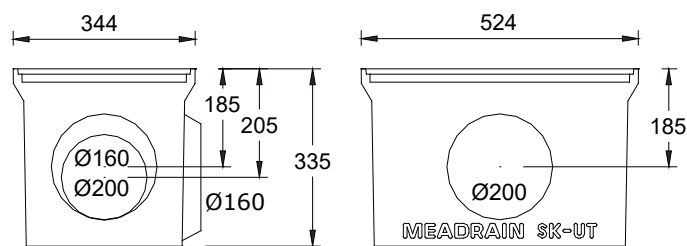
Sediment bucket upper, intermediate and lower part made of polymer concrete, with moulded on channel adapter MEARIN PLUS/EXPERT 300. Clear width 300mm. Suitable for drainage channel covers MEARIN PLUS/EXPERT 300 with STARFIX quick-release fastener. Load capacity according to specification, when installed according to the MEA installation information.



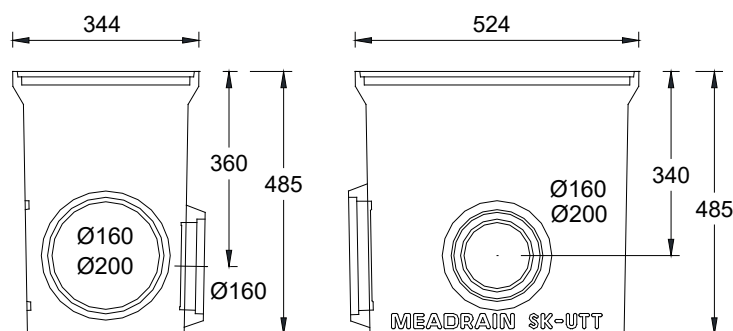
MEARIN PLUS 300.SK-OT



SK-ZT



SK-UT-short



SK-UT-deep

MEARIN PLUS 300

A 15, B 125, C 250, D 400

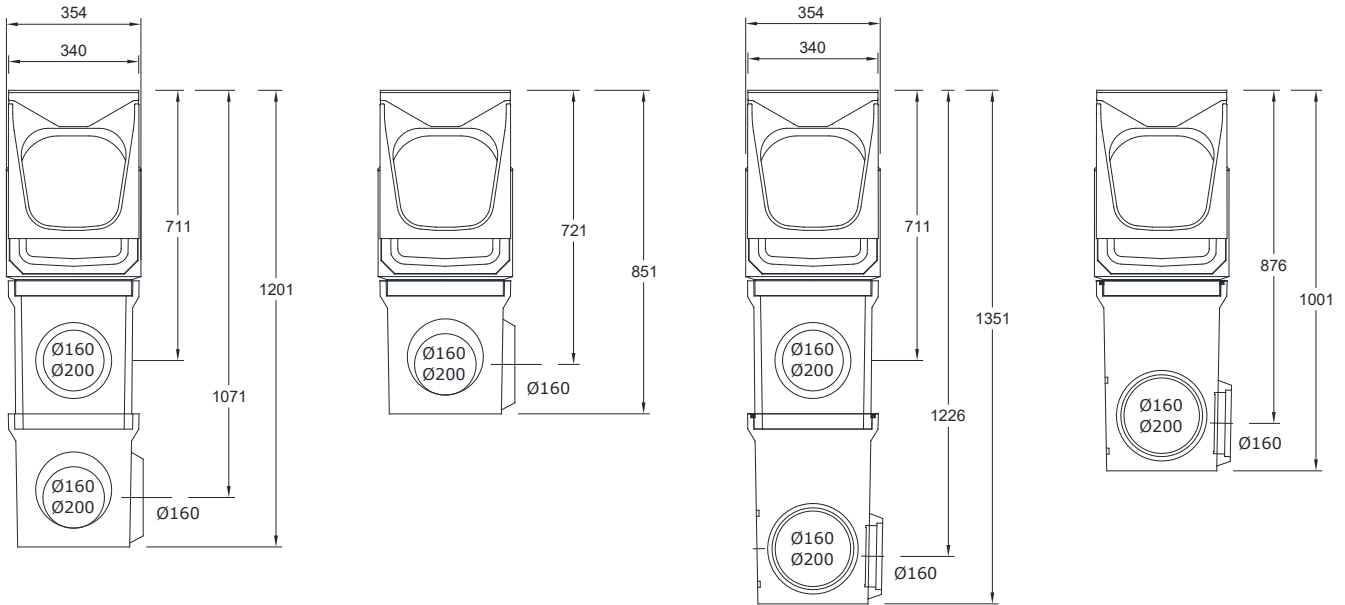
nominal width 300



BUILDING SUCCESS

MEARIN PLUS 300 SEDIMENT BUCKET

Sediment bucket upper, intermediate and lower part made of polymer concrete, with moulded on channel adapter MEARIN PLUS/EXPERT 300. Clear width 300mm. Suitable for drainage channel covers MEARIN Plus/Expert 300 with STARFIX quick-release fastener. Load capacity according to specification, when installed according to the MEA installation information.



MEARIN PLUS 300.SK-OT+
SK-ZT + SK-UT-short

MEARIN PLUS 300.SK-OT +
SK-UT-short

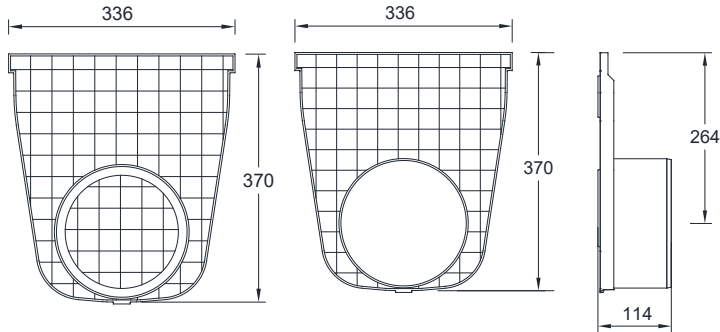
MEARIN PLUS 300.SK-OT +
SK-ZT + SK-UT-deep

MEARIN PLUS 300.SK-OT +
SK-UT-deep

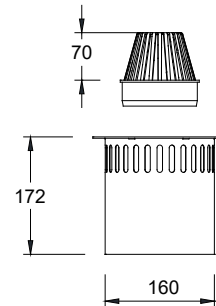
MEARIN PLUS 300 GULLY**

Designation	Ord. No.	Length [mm]	Height [mm]	kg/unit
MEARIN PLUS 300 SK-OT Gully upper part made of polymer concrete with GRP Rail	010140442	574	540	43,80
MEA SK-ZT gully intermediate part made of polymer concrete for a height extension	010154709	524	375	22,00
MEA SK-UT short gully lower part, with integrated drain socket Ø 160 mm	010154726	524	335	25,16
MEA SK-UT short gully lower part, with integrated drain socket Ø 200 mm	010154728	524	335	27,00
MEA Gully plastic sediment bucket, short. For gully with gully upper and lower part	010154714	-	-	1,90
MEA Gully plastic sediment bucket, long. For gully with gully upper, intermediate and lower part	010154714	-	-	2,50

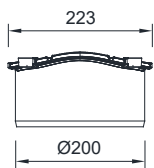
** Not suitable for the diagonal or transverse travel of motorways and highways.



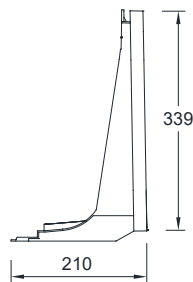
MEARIN 300 End cap closed,
with preforming for Ø 200mm pipe connection



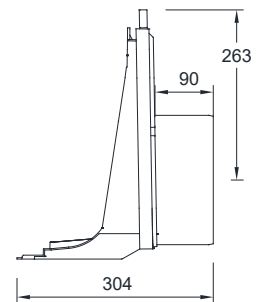
MEARIN 300 Odour trap



MEARIN 300 Vertical outlet
connection Ø 200mm



MEARIN 300 Adapter for the
lateral channel connection



MEARIN 300 End cap for
the lateral connection to
channel

MEARIN PLUS/EXPERT 300 END CAPS AND CONNECTION ACCESSORIES

Designation	Ord. No.	Material	kg/unit
MEARIN PLUS/EXPERT 300 End cap closed, for channel start/end with premark for Ø 200 mm pipe connection	010140424	PP	0,69
MEARIN PLUS/EXPERT 300 End cap with piece socket Ø 200 mm for the lateral channel connection	010140426	PP	0,94
MEARIN PLUS/EXPERT 300 adapter for the lateral channel connection, to corner, t and cross connections	010140428	PP	0,29
MEARIN Plus/Expert 300 Vertical outlet connection Ø 200 mm	010140430	PP	0,36
MEARIN PLUS/EXPERT 300 Odour trap with dirt filter and dirt trap	010140436	PP / galv. Steel	2,50

JOINTING COMPOUNDS FOR STANDARD APPLICATIONS***

Designation	Ord. No.	Material	kg/unit
SABA MS Floor GREY sealant 600 ml in a bag, stable	010152708	MS Polymer basis	0,88
SABA MS Floor BLACK sealant 600 ml in a bag, stable	010152700	MS Polymer basis	0,84
SABA Primer 9102, 1 litre	010155803	Silane basis	0,92
Joint Cleaner solvent 48, 1 litre, Cleaner for adhesive flanks	010155807	-	0,84
Dispensing gun for 600 ml bags	010152707	-	0,63

*** For watertight mounting of drainage channels (only for channels transporting rainwater). Not suitable for installation in LAU facilities, gas stations or similar constructions.

This edition of the technical data sheet shall be valid from September 2021 until a revised version is published and replaces any previous publications. The respectively current version is available for download at www.mea-group.com.