

MATERIAL CHARACTERISTICS

FIBERGLASS COMPOSITE	glass-fibre-reinforced polyester, mineral fillers, additives
TENSILE STRENGTH	65 N/mm ² (ISO 527)
BENDING STRENGTH	120 N/mm ² (ISO 14125)
ELASTICITY MODULE	10.000 N/mm ² (ISO 14125)
DENSITY	2,0 g/cm ³ (ISO 1172)
COEFFICIENT OF LINEAR EXPANSION	1,5 – 2,0 x 10 ⁻⁵ 1/K
HEAT RESISTANCE	100°C continuous load, up to 240°C with a load duration up to 110 min.
FROST RESISTANCE	-35°C
WATER PENETRATION LEVEL	0 mm
WATER ABSORPTION	0,078 % (EN ISO 62:2008-05 Procedure 1)
MATERIAL STRUCTURE	Capillary free

PURPOSE OF USE

Component for the line drainage of surfaces in order to collect, transport and discharge rainwater from adjacent fixed surfaces.

DESIGNS

- / Length 500 mm
- / Length 1000 mm
- / Length 500 mm as a change of flow direction
- / Constructive height 158 mm
- / Constructive height 55 mm (flat channel)
- / Flat channel with Ø 110 mm connector
- / In black and grey

ACCESSORIES

- / Inlet box
- / Inlet box with a drain on one side for installation on facades
- / End cap closed
- / End cap with drain socket Ø 110 mm
- / End cap for the lateral connection with connection piece Ø 110 mm
- / Adapter for lateral channel connection (corner, T and cross connections)
- / Vertical drain socket Ø 110 mm
- / Odour trap including dirt filter and dirt trap

EDGE PROTECTION

- / Glass-fibre-reinforced composite

** Not suitable for the diagonal or transverse travel of motorways and highways.

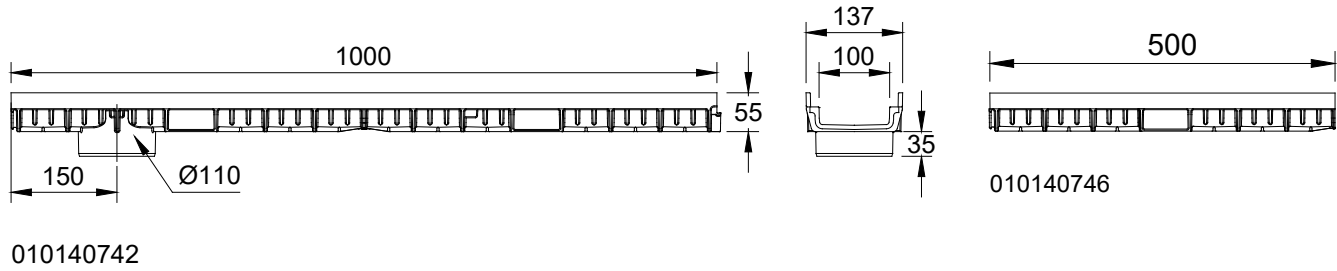
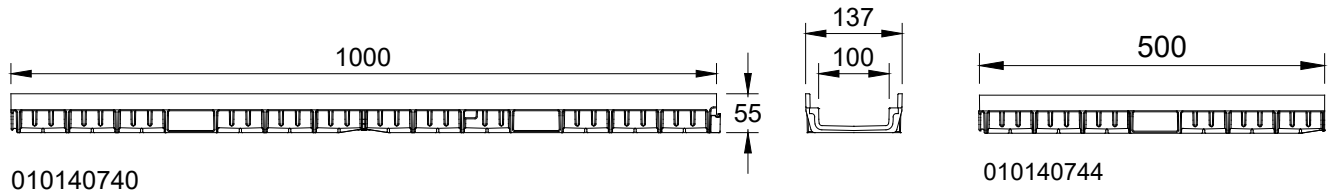
MEARIN PLUS 100 / PLUS F 100 / BLACK

A 15, B 125, C 250, D 400**

CW 100

MEARIN PLUS F 100 / MEARIN PLUS F 100 BLACK DRAINAGE CHANNEL WITH GRP EDGE AND SEALING JOINT ACCORDING TO EN 1433

Drainage channel made of fiberglass composite material. Clear width 100 mm, total width 136 mm. Suitable for all channel covers **MEA 100 CLIPFIX** and **TOPSLOTS MEA TSL 100** and **TSH 100**. For the realization of water level slopes. Load capacity according to specification when installed according to the MEA installation instructions.



MEARIN PLUS F 100 / MEARIN PLUS F 100 BLACK DRAINAGE CHANNEL WITHOUT FALL, LOADING CLASS A 15 - D 400** ACCORDING TO DIN EN 1433

Designation	Ord. No.	Length [mm]	Height [mm]	kg/unit
MEARIN PLUS F 100.0/55 drainage channel body	010140740	1000	55	1,87
MEARIN PLUS F 100.0/55 drainage channel body with Ø 110 mm connector ⁸⁾	010140742	1000	55	1,87
MEARIN PLUS F 100.1/55 drainage channel body	010140744	500	55	0,93
MEARIN PLUS F 100.1 RW/55 drainage channel body for change of drain direction ¹⁵⁾	010140746	500	55	0,93
MEARIN PLUS F 100.0/55 BLACK drainage channel body	010140569	1000	55	1,87
MEARIN PLUS F 100.0/55 BLACK drainage channel body with Ø 110 mm connector ⁸⁾	010140745	1000	55	1,87
MEARIN PLUS F 100.1/55 BLACK drainage channel body	010140747	500	55	0,93
MEARIN PLUS F 100.1 RW/55 BLACK drainage channel body for change of drain direction ¹⁵⁾	010140749	500	55	0,93

** Not suitable for the diagonal or transverse travel of motorways and highways.

8) With tight formed-in drain socket Ø 110 mm.

15) Utilization option as a flow direction change.

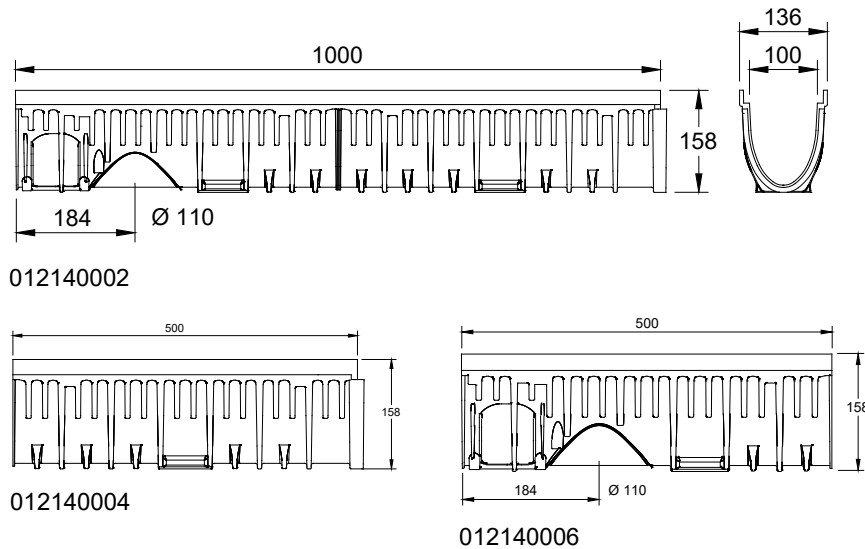
MEARIN PLUS 100 / PLUS F 100 / BLACK

A 15, B 125, C 250, D 400**

CW 100

MEARIN PLUS 100 / MEARIN PLUS 100 BLACK DRAINAGE CHANNEL WITH GRP EDGE AND SEALING JOINT ACCORDING TO EN 1433

Drainage channel made of fiberglass composite material. Clear width 100 mm, total width 136 mm. Suitable for all channel covers **MEA 100 CLIPFIX** and **TOPSLOTS MEA TSL 100** and **TSH 100**. For the realization of water level slopes. Load capacity according to specification when installed according to the MEA installation instructions.



MEARIN PLUS 100 / MEARIN PLUS 100 BLACK DRAINAGE CHANNEL WITHOUT FALL, LOADING CLASS A 15 TO D 400** ACCORDING TO DIN EN 1433

Designation	Ord. No.	Length [mm]	Height [mm]	kg/unit
MEARIN PLUS 100.0 Drainage channel body ^{4) 14)}	012140002	1000	158	3,60
MEARIN PLUS 100.1 Drainage channel body ³⁾	012140004	500	158	2,00
MEARIN PLUS 100.1 RW Drainage channel body for change of drain direction ^{4) 14) 15)}	012140006	500	158	2,00
MEARIN PLUS 100.0 BLACK Drainage channel body ^{4) 14)}	012140564	1000	158	3,60
MEARIN PLUS 100.1 BLACK Drainage channel body ³⁾	012140566	500	158	2,00
MEARIN PLUS 100.1 RW BLACK Drainage channel body for change of drain direction ^{4) 14) 15)}	012140568	500	158	2,00

** Not suitable for the diagonal or transverse travel of motorways and highways.

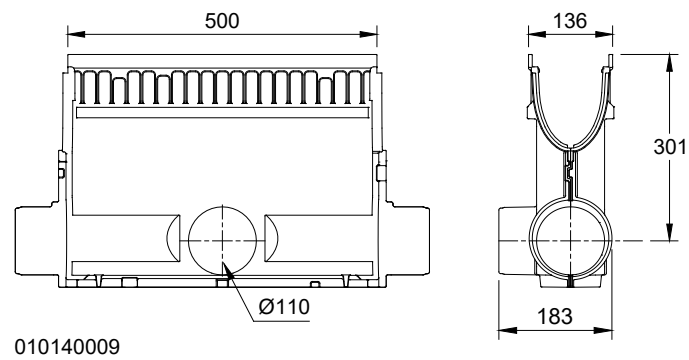
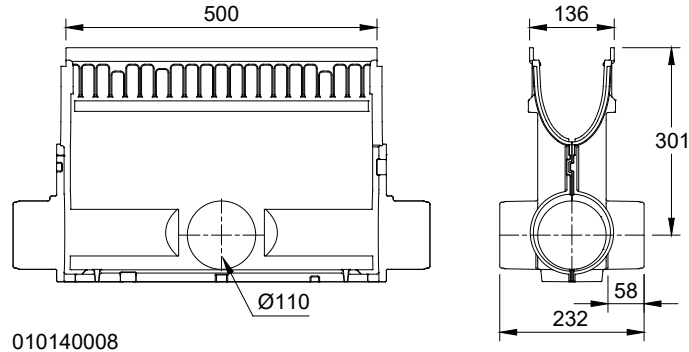
3) Connection option for end caps with nozzle or gully.

4) Connection option for vertical drain Ø 110 mm or to a gully.

14) Connection option for corner, T and cross connections.

15) Utilization option as a flow direction change.

MEARIN PLUS 100 / MEARIN PLUS 100 BLACK ACCESSORIES

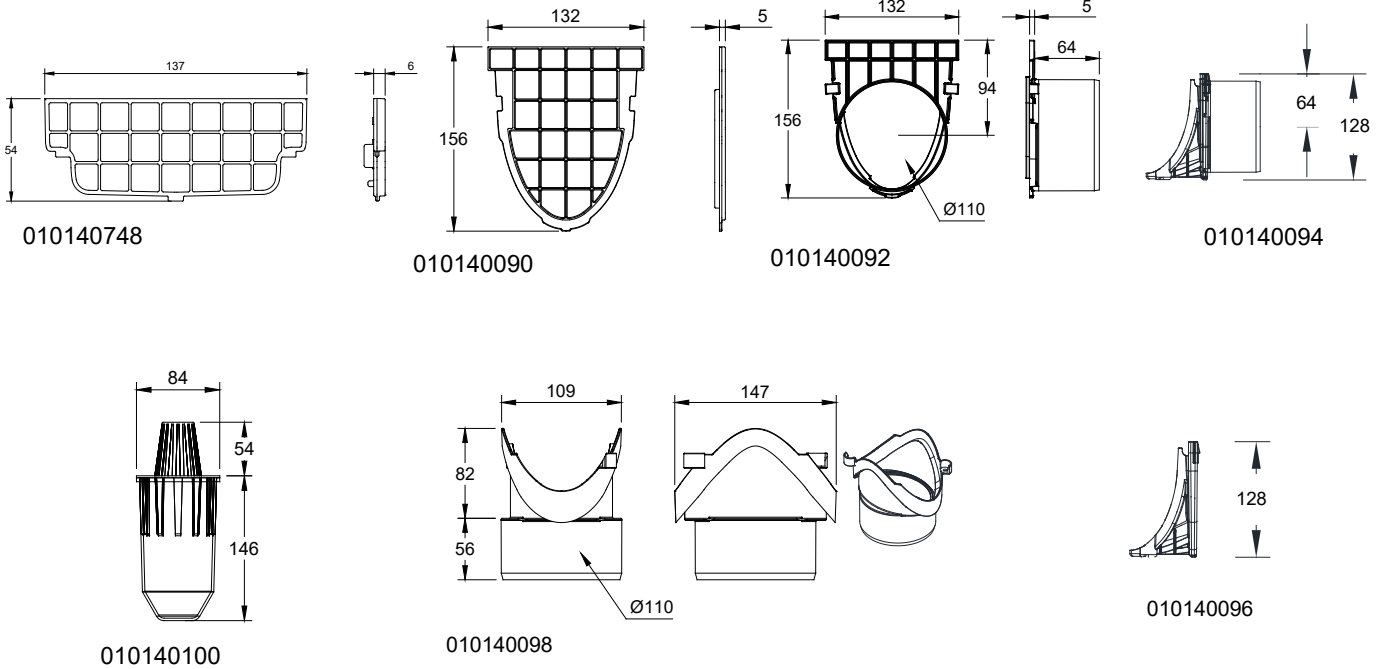


MEARIN PLUS 100 / MEARIN PLUS 100 BLACK GULLY WITHOUT DRAINAGE CHANNEL COVER, WITH SEDIMENT BUCKET**

Designation	Ord. No.	Length [mm]	Height [mm]	kg/unit
MEARIN PLUS 100.EK gully with Ø 110 mm outlet connector + sediment bucket	012140008	500	376	4,40
MEARIN PLUS 100.EK gully with Ø 110 mm outlet connector on one side for construction close to a facade + sediment bucket	012140009	500	376	4,70
MEARIN PLUS 100.EK BLACK gully with pipe connector Ø 110 mm, + sediment bucket	012140570	500	376	7,00

** Not suitable for the diagonal or transverse travel of motorways and highways.

MEARIN PLUS 100 (BLACK) / MEARIN PLUS F 100 (BLACK) ACCESSORIES

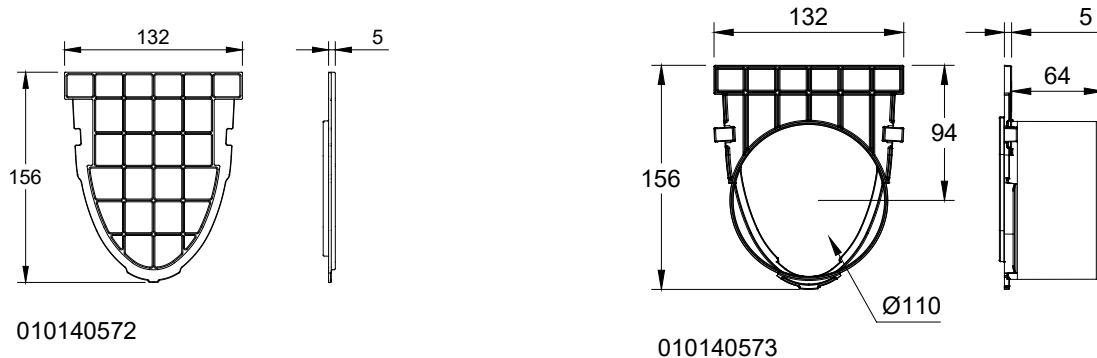


MEARIN PLUS 100 (BLACK) / MEARIN PLUS F 100 (BLACK) END CAPS AND CONNECTORS

Designation	Ord. No.	Material	kg/unit
MEARIN PLUS F 100.SE End cap closed for channel start/end	010140748	PC	0,03
MEARIN PLUS/EXPERT 100 End cap closed for channel start/end	010140090	PP	0,04
MEARIN PLUS/EXPERT 100.E End cap with pipe socket Ø 110 mm for channel end	010140092	PP	0,06
MEARIN PLUS/EXPERT 100.ES End cap with pipe socket Ø 110 mm for a lateral channel connection	010140094	PP	0,08
MEARIN PLUS/EXPERT 100 Adapter for lateral channel connection for corner, T and cross connections	010140096	PP	0,05
MEARIN PLUS/EXPERT 100 Vertical outlet connection Ø 110 mm	010140098	PP	0,08
MEARIN PLUS/EXPERT 100 Odour trap, contains dirt filter and dirt trap	010140100	PP	0,20
MEARIN PLUS 100 Drainage kit, contains vertical outlet connector Ø 110 mm, odour trap and 2 end caps closed	010140104	PP	0,35
MEARIN PLUS F 100.SE BLACK End caps closed for channel start/end	010140751	PC	0,03

** Not suitable for the diagonal or transverse travel of motorways and highways.

MEARIN PLUS 100 (BLACK) / MEARIN PLUS F 100 (BLACK) / ACCESSORIES



MEARIN PLUS 100 (BLACK) / MEARIN PLUS F 100 (BLACK) END CAPS AND CONNECTORS

Designation	Ord. No.	Material	kg/unit
MEARIN PLUS 100.SE BLACK End cap closed for channel start/end	010140572	PP	0,04
MEARIN PLUS 100.E BLACK End cap with pipe socket Ø 110 mm	010140573	PP	0,04
MEARIN PLUS BLACK 100 Outlet kit with vertical outlet connector Ø 110 mm, odour seal and 2 BLACK end caps closed	010140105	PP	0,35

JOINTING COMPOUNDS FOR STANDARD APPLICATIONS***

Designation	Ord. No.	Material	kg/unit
SABA MS Floor GREY sealant 600 ml in a bag, stable	010152708	MS Polymer basis	0,84
SABA MS Floor BLACK sealant 600 ml in a bag, stable	010152700	MS Polymer basis	0,84
SABA Primer 9102, 1 litre	010155803	Silane basis	0,92
Joint Cleaner solvent 48, 1 litre, Cleaner for adhesive flanks	010155807	-	0,81
Dispensing gun for 600 ml bags	010152707	-	0,79

** Not suitable for the diagonal or transverse travel of motorways and highways.

*** For watertight mounting of drainage channels (only for channels transporting rainwater). Not suitable for installation in LAU facilities, gaz stations or similar constructions.

This edition of the technical data sheet shall be valid from September 2021 until a revised version is published and replaces any previous publications. The respectively current version is available for download at www.mea-group.com.

MEA Bautechnik GmbH
 Business Unit MEA Water Management
 Sudetenstraße 1
 86551 Aichach
 Tel.: +49 (0) 82 51. 91 0
 Fax: +49 (0) 82 51. 91 13 06
 E-Mail: info@mea-group.com
www.mea-group.com