

MATERIAL CHARACTERISTICS

FIBERGLASS COMPOSITE	glass-fibre-reinforced polyester, mineral fillers, additives
TENSILE STRENGTH	65 N/mm ² (ISO 527)
BENDING STRENGTH	120 N/mm ² (ISO 14125)
ELASTICITY MODULE	10,000 N/mm ² (ISO 14125)
DENSITY	2.0 g/cm ³ (ISO 1172)
COEFFICIENT OF LINEAR EXPANSION	1.5 - 2.0 x 10 ⁻⁵ 1/K
HEAT RESISTANCE	100°C continuous load, up to 240°C with a load duration up to 110 min.
FROST RESISTANCE	-35°C
WATER PENETRATION LEVEL	0 mm
WATER ABSORPTION	0,078 % (EN ISO 62:2008-05 Procedure 1)
MATERIAL STRUCTURE	Capillary free

PURPOSE OF USE

Component for the line drainage of surfaces in order to collect, transport and discharge rain water from adjacent fixed surfaces.

DESIGNS

- / Length 1000 mm
- / Length 500 mm
- / Length 500 mm as a change of flow direction

EDGE PROTECTION

- / Galvanised steel

ACCESSORIES

- / Inlet box
- / End cap closed
- / End cap with drain socket Ø 160mm for channel end and lateral pipe connection
- / Adapter for lateral channel connection (corner, T and cross connections)
- / Vertical drain socket Ø 160mm

* As of class D 400, not suitable for diagonal or lateral cross-travel in the area of express roads and motorways

MEARIN EXPERT 150

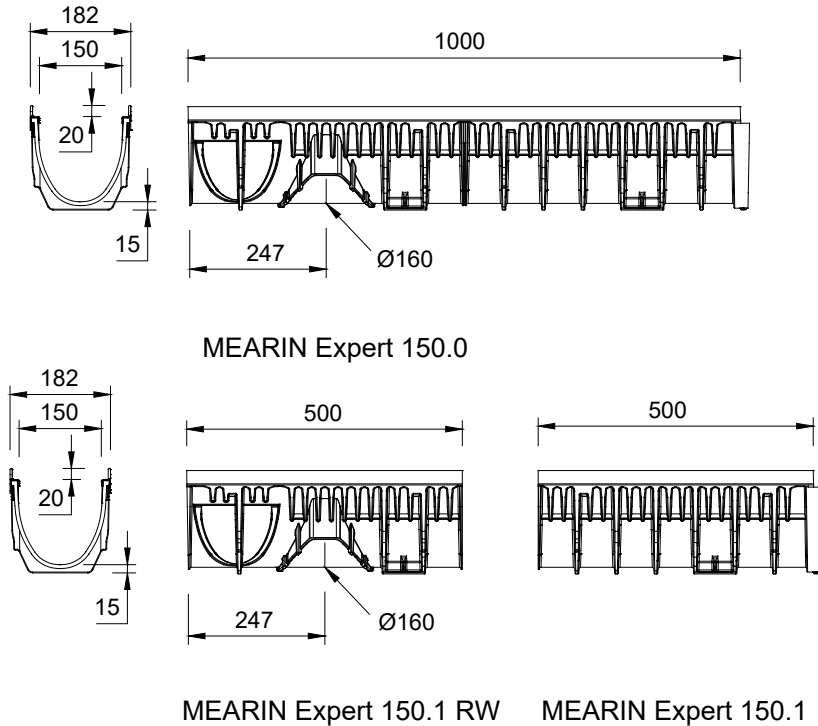
A 15, B 125, C 250, D 400*, E 600*

nominal width 150

MEARIN EXPERT 150 DRAINAGE CHANNELS

WITH AN INTEGRATED GALVANIZED STEEL FRAME AND SEALING JOINT ACCORDING TO EN 1433

Drainage channel made of fiberglass composite material. Clear width 150mm, constructive width 182mm. For the realization of water level slopes. Loading class A 15 to E 600* according to EN 1433. Suitable for drainage channel covers MEARIN PLUS/EXPERT 150 with STARFIX quick-release fastener. Load capacity according to specification, when installed according to the MEA installation information.



MEARIN EXPERT 150 DRAINAGE CHANNEL BODY WITHOUT FALL, LOADING CLASSES A 15 TO E 600** ACCORDING TO EN 1433

Designation	Ord. No.	Length [mm]	Height [mm]	kg/unit
MEARIN EXPERT 150.0 drainage channel body ^{5) 14)}	010140522	1000	187	6.40
MEARIN EXPERT 150.1 drainage channel body ³⁾ Channel	010140524	500	187	3.25
MEARIN EXPERT 150.1RW drainage channel body for change of drain direction ^{5) 14) 15)}	010140526	500	187	3.25

3) Connection option for end caps with nozzle of gully.

5) Connection option for vertical drain Ø 160mm (drainage deformation), end cap with connector or to gullies/silt boxes.

14) Connection option for corner-, t- and cross- connections.

15) Utilization option as a flow direction change

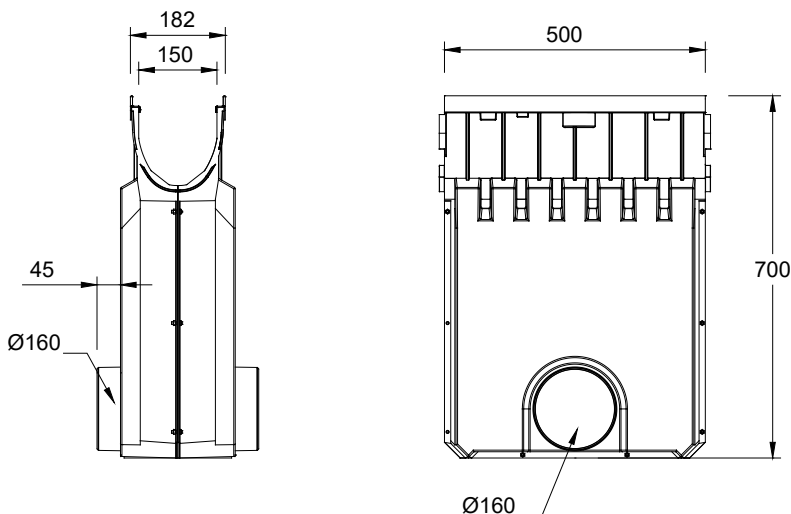
MEARIN EXPERT 150

A 15, B 125, C 250, D 400*, E 600*

nominal width 150



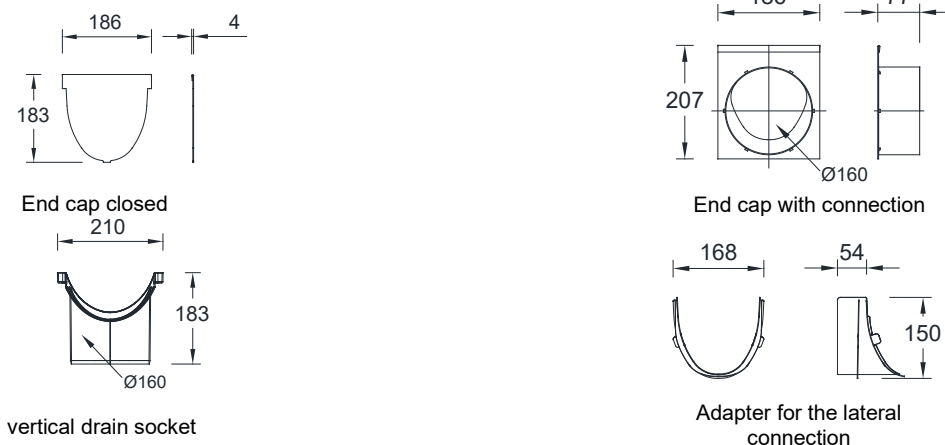
BUILDING SUCCESS



MEARIN Expert 150.EK

MEARIN EXPERT 150 GULLY WITHOUT DRAINAGE CHANNEL COVER, WITH SEDIMENT BUCKET**

Designation	Ord. No.	Length [mm]	Height [mm]	kg/unit
MEARIN EXPERT 150.EK gully with pipe connector Ø 160mm, incl. sediment bucket	012145110	500	700	7.80



MEARIN PLUS/EXPERT 150 END CAPS AND CONNECTORS

Designation	Ord. No.	Material	kg/unit
MEARIN PLUS/EXPERT 150.SE End cap closed for channel start/end	010140541	PC	0,10
MEARIN PLUS/EXPERT 150.E End cap with pipe socket Ø 160 mm for channel end	010140543	PC	0,14
MEARIN PLUS/EXPERT 150 and 200 vertical outlet connection Ø 160 mm	010140117	PP	0,14
MEARIN PLUS/EXPERT 150 Adapter for lateral gutter connection, for corner, T- and cross connections	010140544	Galv. steel	0,60

JOINTING COMPOUNDS FOR STANDARD APPLICATIONS***

Description	Ord. No.	Material	kg/unit
SABA MS Floor GREY sealant 600 ml in a bag, stable	010152708	MS Polymer basis	0,88
SABA MS Floor BLACK sealant 600 ml in a bag, stable	010152700	MS Polymer basis	0,84
SABA Primer 9102, 1 litre	010155803	Silane basis	0,92
Joint Cleaner solvent 48, 1 litre, Cleaner for adhesive flanks	010155807	-	0,84
Dispensing gun for 600 ml bags	010152707	-	0,63

*** For watertight mounting of drainage channels (only for channels transporting rainwater). Not suitable for installation in LAU facilities, gas stations or similar constructions.

This edition of the technical data sheet shall be valid from September 2021 until a revised version is published and replaces any previous publications. The respectively current version is available for download at www.mea-group.com.

MEA Bautechnik GmbH
 Business Unit MEA Water Management
 Sudetenstraße 1
 86551 Aichach
 Tel.: +49 (0) 82 51. 91 0
 Fax: +49 (0) 82 51. 91 13 06
 E-Mail: info@mea-group.com
www.mea-group.com