

MATERIAL CHARACTERISTICS

| | |
|--|--|
| POLYMER CONCRETE | on a Polyester resin basis, with mineral fillers, additives |
| COMPRESSIVE STRENGTH | ≥ 90 N/mm ² |
| BENDING STRENGTH | ≥ 22 N/mm ² |
| ELASTICITY MODULE | 25,000 – 35,000 N/mm ² |
| DENSITY | 2,1 – 2,3 kg/dm ³ |
| COEFFICIENT OF LINEAR EXPANSION | Approx. 1.45 x 10 ⁻⁵ 1/K |
| HEAT RESISTANCE | 100°C continuous load, up to 200°C with a load duration up to 5 min. |
| FROST RESISTANCE | - 50 °C |
| WATER PENETRATION LEVEL | 0 mm |
| WATER ABSORPTION | < 0.05% |
| MATERIAL STRUCTURE | Capillary free |

PURPOSE OF USE

Component for the line drainage of surfaces in order to collect, transport and discharge rain water from adjacent fixed surfaces.

DESIGN

- / Length 500 and 1000 mm
- / Length 1000 mm including formed-in drain socket
- / Constructive height 400 and 760 mm

EDGE PROTECTION

- / Cast iron GG KTL coated

FREE DRAINAGE CHANNEL CROSS SECTION

- / MEADRAIN ENS 3000.0: 970 cm²
- / MEADRAIN ENS 3070.0: 1870 cm²

ACCESSORIES

- / Sediment bucket top part for constructive height 400 mm
- / Sediment bucket intermediate part
- / Sediment bucket short bottom part with integrated drain socket Ø 160 mm and 200 mm
- / Sediment bucket short lower part with moulding for drains Ø 160 and 200 mm, without DIBt approval
- / Sediment bucket deep lower part with moulding for drains Ø 160 and 200 mm, without DIBt approval
- / Sludge bucket short for sediment bucket upper part with sediment bucket lower part
- / Sludge bucket long for sediment bucket upper part with gully intermediate part and sediment bucket lower part
- / End cap closed for all constructive heights
- / End cap with connection piece Ø 250 mm for constructive height 760 mm

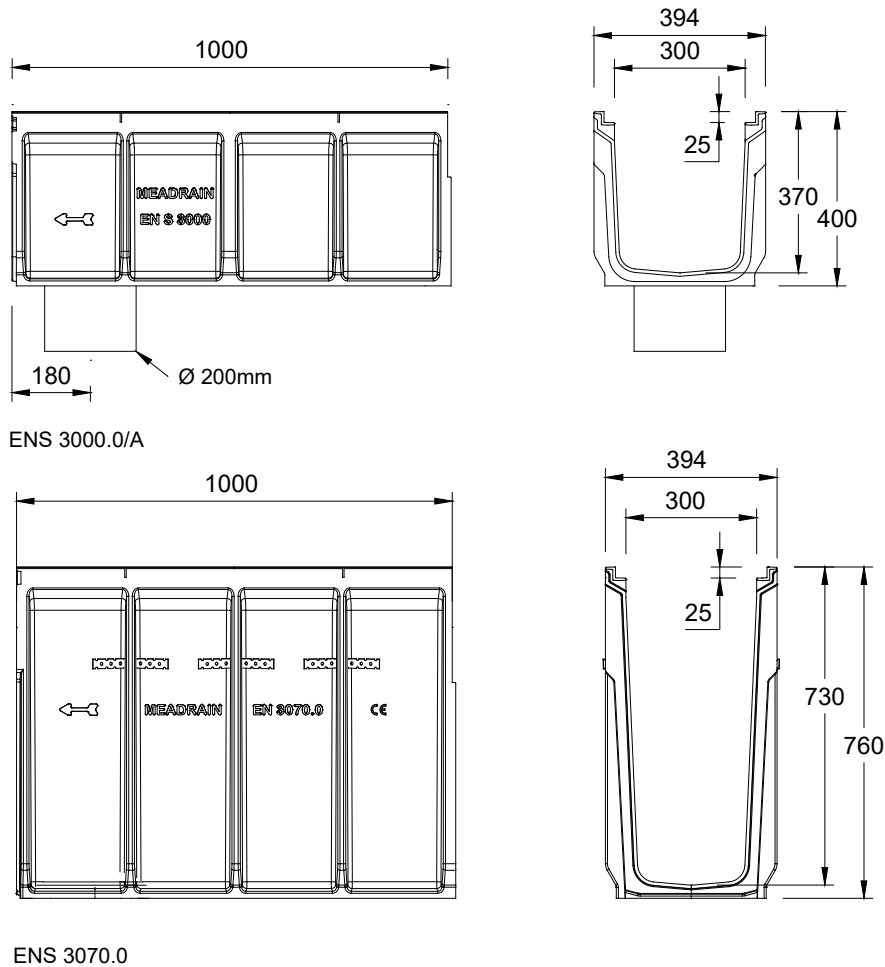
** Not suitable for the diagonal or transverse travel of motorways and highways.

MEADRAIN ENS 3000 and ENS 3070

A 15, B 125, C 250, D 400**, E 600**, F 900** nominal width 300

MEADRAIN ENS 3000 AND ENS 3070 POLYMER CONCRETE DRAINAGE CHANNEL WITH AN INTEGRATED DUCTILE IRON FRAME AND SEALING JOINT ACCORDING TO EN 1433

Clear width of the drainage channel body 300 mm, total width 394 mm. Suitable for channel covers **MEA ENS 300 PROFIX** and **MEA ENS 300 4-fold bolted**. For the realization of water level slopes. Loading classes, A 15 to F 900** according to EN 1433. Load capacity according to specification, when installed according to the MEA installation instructions. General Building Authority Approval Z - 74.4 – 28



MEADRAIN ENS 3000 / 3070 DRAINAGE CHANNEL BODY WITHOUT SLOPE, LOADING CLASSES A 15 TO F 900**

| Description | Order No. | Length [mm] | Constructive height [mm] | kg/piece |
|---|-----------|-------------|--------------------------|----------|
| MEADRAIN ENS 3000.0 Drainage channel body ⁶⁾ | 010153751 | 1000 | 400 | 67,00 |
| MEADRAIN ENS 3000.0/A Drainage channel body with tight formed-in flanged drain socket Ø 200 mm ¹⁰⁾ | 010153753 | 1000 | 400 | 66,10 |
| MEADRAIN ENS 3000.1 Drainage channel body ⁶⁾ | 010153755 | 500 | 400 | 32,30 |
| MEADRAIN ENS 3070.0 Drainage channel body ⁶⁾ | 010712401 | 1000 | 760 | 107,00 |
| MEADRAIN ENS 3070.0/A Drainage channel with tight formed-in flanged drain socket Ø 200 mm ¹⁰⁾ | 010712403 | 1000 | 760 | 109,30 |
| MEADRAIN ENS 3070.1 Drainage channel body ⁶⁾ | 010712399 | 500 | 760 | 51,00 |

** Not suitable for the diagonal or transverse travel of motorways and highways.

6) Connection option for vertical drain Ø 200 mm (drainage deformation), end caps with connector or to gullies/silt boxes.

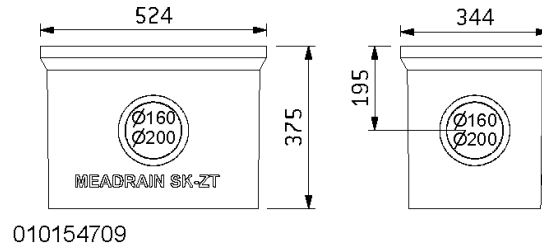
10) With formed-in flanged drain socket Ø 200 mm.

MEADRAIN ENS 3000 and ENS 3070

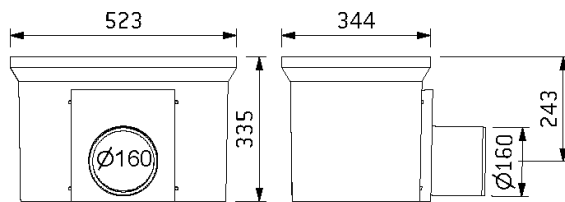
A 15, B 125, C 250, D 400**, E 600**, F 900** nominal width 300

MEADRAIN ENS 3000 AND ENS 3070 ACCESSORIES

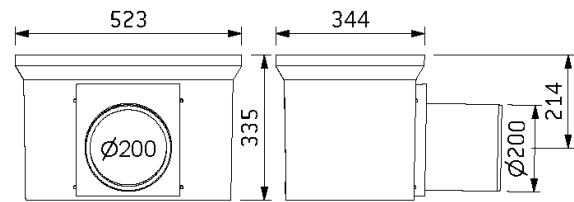
General Building Authority Approval Z - 74.4 – 28



010154709



010154726



010154728

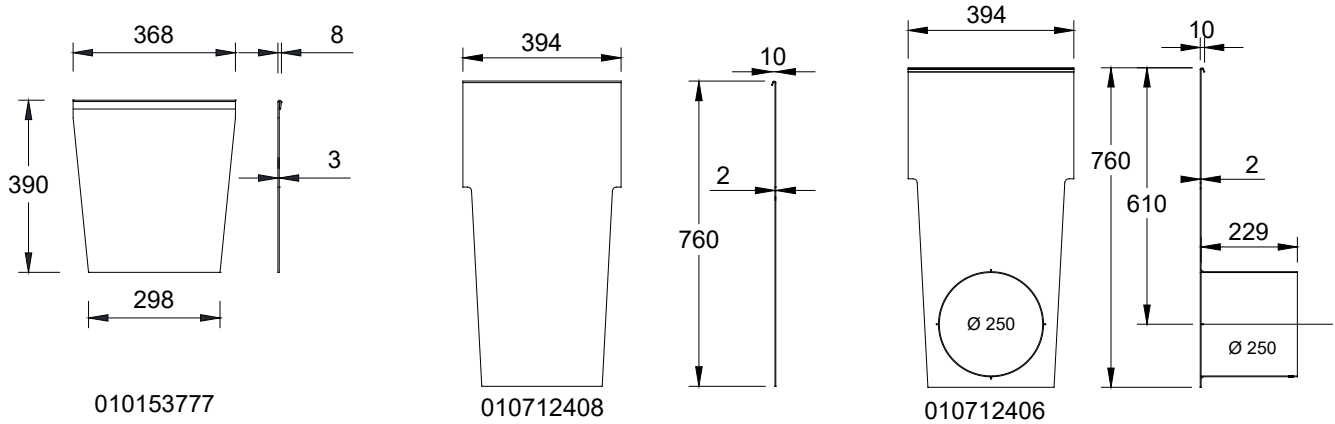
MEADRAIN ENS 3000 GULLIES**

| Description | Order No. | Length [mm] | Constructive height [mm] | kg/piece |
|--|-----------|-------------|--------------------------|----------|
| MEADRAIN ENS 3000.SK-OT gully upper part only for connection to ENS 3000, not suitable for ENS 3070 channels | 010153773 | 500 | 550 | 60,00 |
| MEA SK-ZT gully intermediate part made of polymer concrete for a height extension | 010154709 | 524 | 375 | 22,00 |
| MEA SK-UT short Gully lower part, with integrated drain socket \varnothing 160 mm | 010154726 | 524 | 335 | 25,16 |
| MEA SK-UT short Gully lower part, with integrated drain socket \varnothing 200 mm | 010154728 | 524 | 335 | 27,00 |
| MEA Gully plastic Sediment bucket, short. For gully with gully upper and lower part. | 010154714 | - | - | 1,90 |
| MEA Gully plastic Sediment bucket, long. For gully with gully upper, intermediate and lower part. | 010154718 | - | - | 2,50 |

** Not suitable for the diagonal or transverse travel of motorways and highways.

MEADRAIN ENS 3000 AND ENS 3070 ACCESSORIES

General Building Authority Approval Z - 74.4 – 28



END CAPS AND ACCESSORIES FOR MEADRAIN ENS 3000 / 3070

| Description | Order No. | Material | kg/piece |
|---|-----------|-------------|----------|
| MEADRAIN ENS 3000.SE End cap for channel start/end | 010153777 | Galv. steel | 3,24 |
| MEADRAIN ENS 3070.SE End cap for channel start/end | 010712408 | Galv. steel | 0,50 |
| MEADRAIN ENS 3070.E End cap for the end of the channel with connector Ø 250 mm, suitable for channel ENS 3070 | 010712406 | Galv. steel | 0,80 |

JOINTING COMPOUNDS FOR STANDARD APPLICATIONS ***

| Description | Order No. | Material | kg/piece |
|--|-----------|------------------|----------|
| SABA MS Floor GREY sealant 600 ml in a bag, stable | 010152708 | MS Polymer basis | 0,84 |
| SABA Primer 9102, 1 liter | 010155803 | Silane basis | 0,92 |
| Joint Cleaner solvent 48, 1 liter, Cleaner for adhesive flanks | 010155807 | - | 0,81 |
| Dispensing gun for 600 ml bags | 010152707 | - | 0,79 |

** Not suitable for the diagonal or transverse travel of motorways and highways.

*** For watertight mounting of drainage channels (only for channels transporting rainwater). Not suitable for installation in LAU facilities, gaz stations or similar constructions.

This edition of the technical data sheet shall be valid from January 2021 until a revised version is published and replaces any previous publications. The respectively current version is available for download at www.mea-group.de/entwaesserung.

MEA Bautechnik GmbH
 Business Unit MEA Water Management
 Sudetenstraße 1
 86551 Aichach
 Tel.: +49 (0) 82 51. 91 0
 Fax: +49 (0) 82 51. 91 13 06
 E-Mail: info@mea-group.com
www.mea-group.com